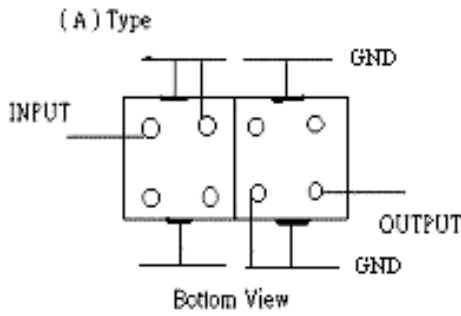
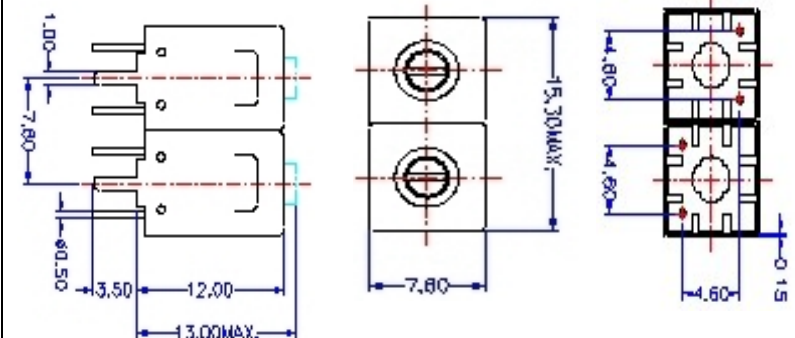


VHF UHF Helical Filter Specification Sheet

Customer Name		Temwell's Part No.	TT6815A-749M
Approval No. /dated	20503033B	Acceptable Specify Fo. Range	701~750MHz
Work Instruction No.	20503033B	Date	Mar.17.2005

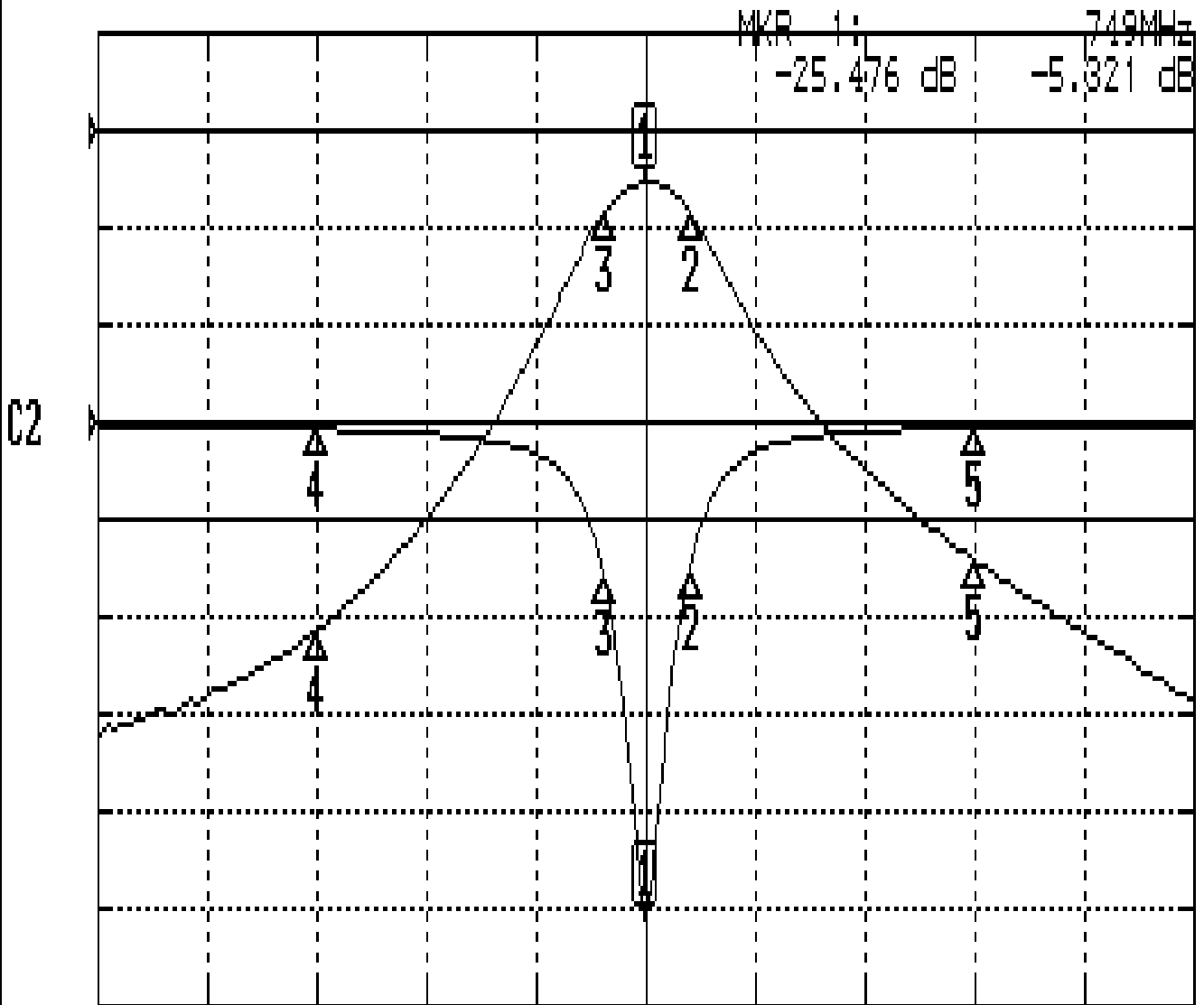
<p>(1)Pin Position</p>  <p style="text-align: center;">(A) Type Bottom View</p>	<p>(2)Size Diagram</p> 
--	---

(3)Electric Character			
Item		Specify	Performance
Center Freq.(Fo) +/- 0.5 %		749 MHz	749 MHz
Tunable Range		749±5 MHz	749±5 MHz
Insertion Loss		Typ. 6.0 dB	5.32 dB
-3 dB Bandwidth		Typ. 4 MHz	8 MHz
Sensitivity (Attenuation)	Fo - 30 MHz	Typ. 41 dBc	46 dBc
	Fo + 30 MHz	Typ. 31 dBc	39 dBc
	Fo - ()MHz	Typ. dBc	dBc
	Fo +()MHz	Typ. dBc	dBc
Return Loss		Min. 12 dB	dB
Ripple		< 1 dB	dB
Impedance		In / Out : 50 Ω	In / Out : 50 Ω
(4)Torque for Tuning Screw		> 100gf · cm	
(5)Temperature Condition:			
Operating Temperature		0°C ~ +60°C	
Storage Temperature		-20°C ~ +70°C	
(6)Input Power		> 1Watt	
Approval	Supervisor	Designer	Aperture size
C.Y. Chang	C.S. Chang	P.H. Chiang	7H2S(4*4.65)(4.69)F 7H046LB4 聚 3
TEMWELL CORPORATION			

Performance-TT6815A-749M

20503033B

CH1 S11&S21 LOG MAG REF 0.000 dB 5.000 dB/



CENTER 749MHz

[10.00 dBm]

SPAN 100MHz

CH1 MARKER LIST

1:	749.000MHz	-25.476 dB	-5.321 dB
2:	753.000MHz	-7.694 dB	-8.365 dB
3:	745.250MHz	-7.938 dB	-8.383 dB
4:	719.000MHz	-0.368 dB	-51.276 dB
5:	779.000MHz	-0.296 dB	-44.210 dB