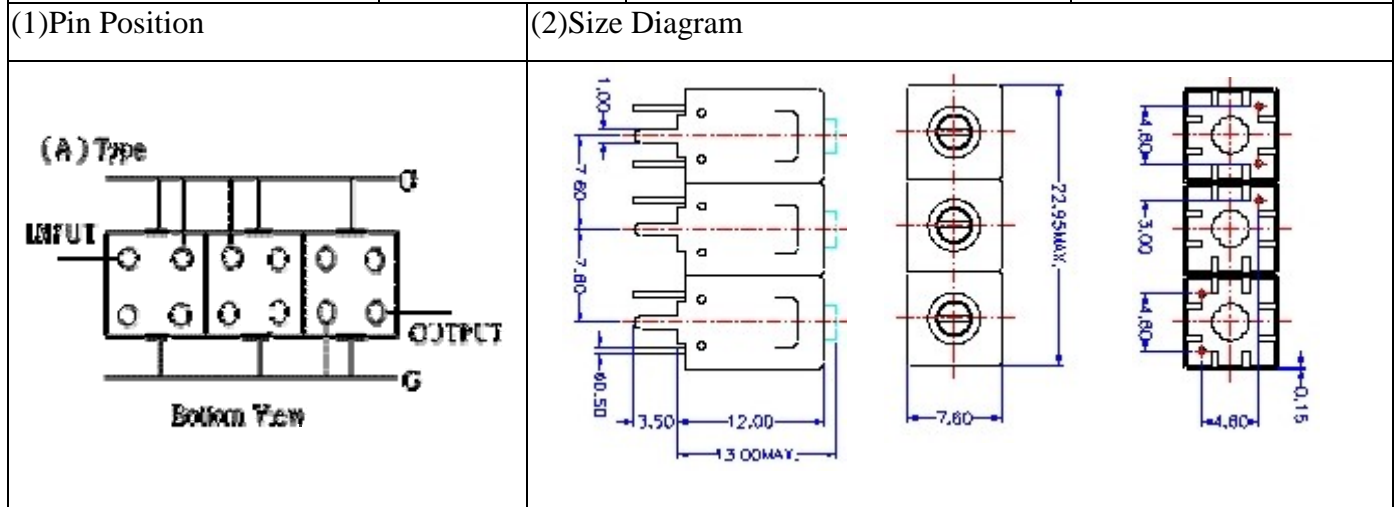


VHF UHF Helical Filter Specification Sheet

| | | | |
|----------------------|----------|-----------------------------|--------------|
| Customer Name | | Temwell's Part No. | TT6817A-850M |
| Approval No. /dated | 2008034B | Acceptable Specify Fo.Range | 831~860Mhz |
| Work Instruction No. | 2008034B | Date | Aug.9,2000 |



(3) Electric Characteristic

| Item | Specify | Performance |
|------------------------------|-----------------|-----------------|
| Center Freq.(Fo) +/- 0.5 % | 850 MHz | 850 MHz |
| Tunable Range: | 850±10 MHz | 850±10 MHz |
| Insertion Loss | Typ. 7.0 dB | 6.2 dB |
| -3 dB Bandwidth | Typ. 4 MHz | 8 MHz |
| Sensitivity (Attenuation) | Fo - 30 MHz | Typ. 46 dBc |
| | Fo + 30 MHz | Typ. 38 dBc |
| | Fo - ()MHz | Typ. dBc |
| | Fo +()MHz | Typ. dBc |
| Return Loss | Min. 12 dB | 32.5 dB |
| Ripple | < 1 dB | dB |
| Impedance | In / Out : 50 Ω | In / Out : 50 Ω |
| (4) Torque for Tuning Screw | > 100gf · cm | |

(5) Temperature Condition:

| | |
|-----------------------|---------------|
| Operating Temperature | 0°C ~ +60°C |
| Storage Temperature | -20°C ~ +70°C |

(6) Input Power

| | |
|--|---------|
| | > 1Watt |
|--|---------|

| | | | |
|-------------|-------------|-------------|------------------------------|
| Approval | Supervisor | Designer | Aperture size |
| C. Y. Chang | C. S. Chang | C. S. Chang | 7H3S(4*4.65) 7H046LB4 聚 3 |

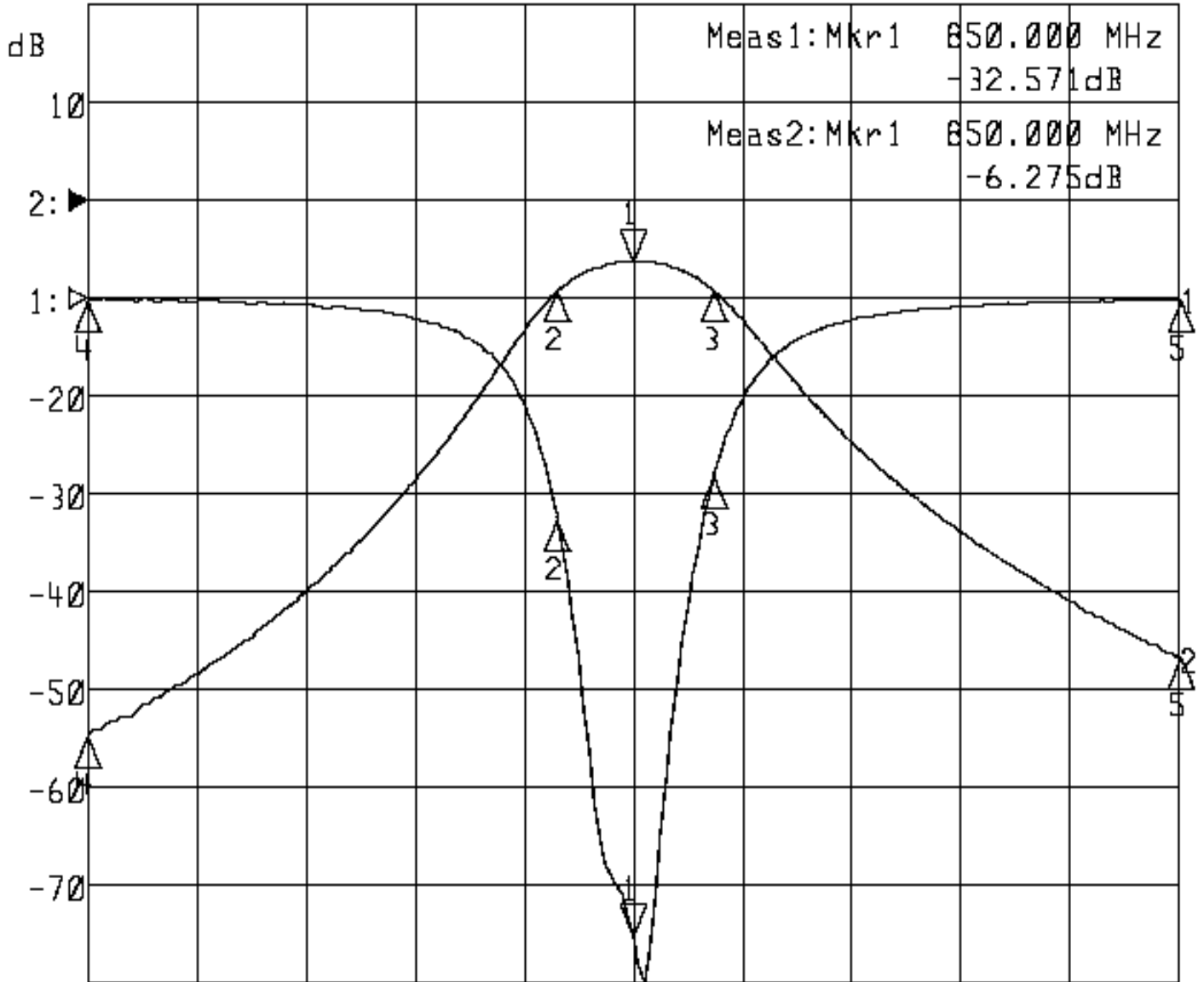
TEMWELL CORPORATION

Performance- TT6817A-850M

2008034B

▶1:S11 Refl Port1 Log Mag 5.0 dB/ Ref 0.00 dB C

▶2:S21 Fwd Trans Log Mag 10.0 dB/ Ref 0.00 dB C



Center 850.000 MHz

Span 60.000 MHz

| 1: Mkr (MHz) | dB | 2: Mkr (MHz) | dB |
|--------------|---------|--------------|---------|
| 1> 850.0000 | -32.571 | 1> 850.0000 | -6.275 |
| 2: 845.8600 | -11.340 | 2: 845.8600 | -9.241 |
| 3: 854.4400 | -9.091 | 3: 854.4400 | -9.224 |
| 4: 820.0000 | -0.146 | 4: 820.0000 | -54.674 |
| 5: 880.0000 | -0.123 | 5: 880.0000 | -46.866 |