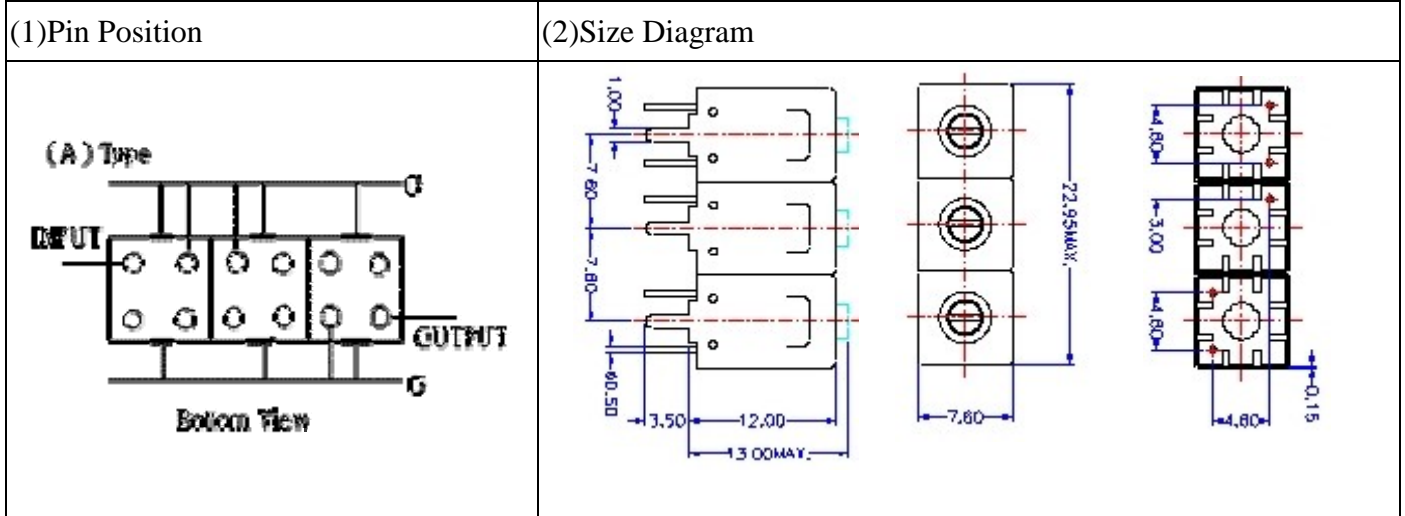


VHF UHF Helical Filter Specification Sheet

Customer Name		Temwell's Part No.	TT6818A-870M
Approval No. /dated	2008037B	Acceptable Specify Fo. Range	861~900Mhz
Work Instruction No.	2008037B	Date	Aug.9,2000



(3)Electric Chararistic			
Item	Specify	Performance	
Center Freq.(Fo) +/- 0.5 %	870 MHz	870	MHz
Tunable Range:	870±10 MHz	870±10	MHz
Insertion Loss	Typ. 10.0 dB	8.9	dB
-3 dB Bandwidth	Typ. 4 MHz	9	MHz
Sensitivity (Attenuation)	Fo - 30 MHz	Typ. 42	dBc
	Fo + 30 MHz	Typ. 31	dBc
	Fo - ()MHz	Typ.	dBc
	Fo +()MHz	Typ.	dBc
Return Loss	Min. 12 dB	19.7	dB
Ripple	< 1 dB		dB
Impedance	In / Out : 50 Ω	In / Out : 50 Ω	

(4)Torque for Tuning Screw > 100gf • cm

(5)Temperature Condition:	
Operating Temperature	0°C ~ +60°C
Storage Temperature	-20°C ~ +70°C

(6)Input Power > 1Watt

Approval	Supervisor	Designer	Aperture size
C. Y. Chang	C. S. Chang	C. S. Chang	7H3S(4*4.65) 7H046LB4

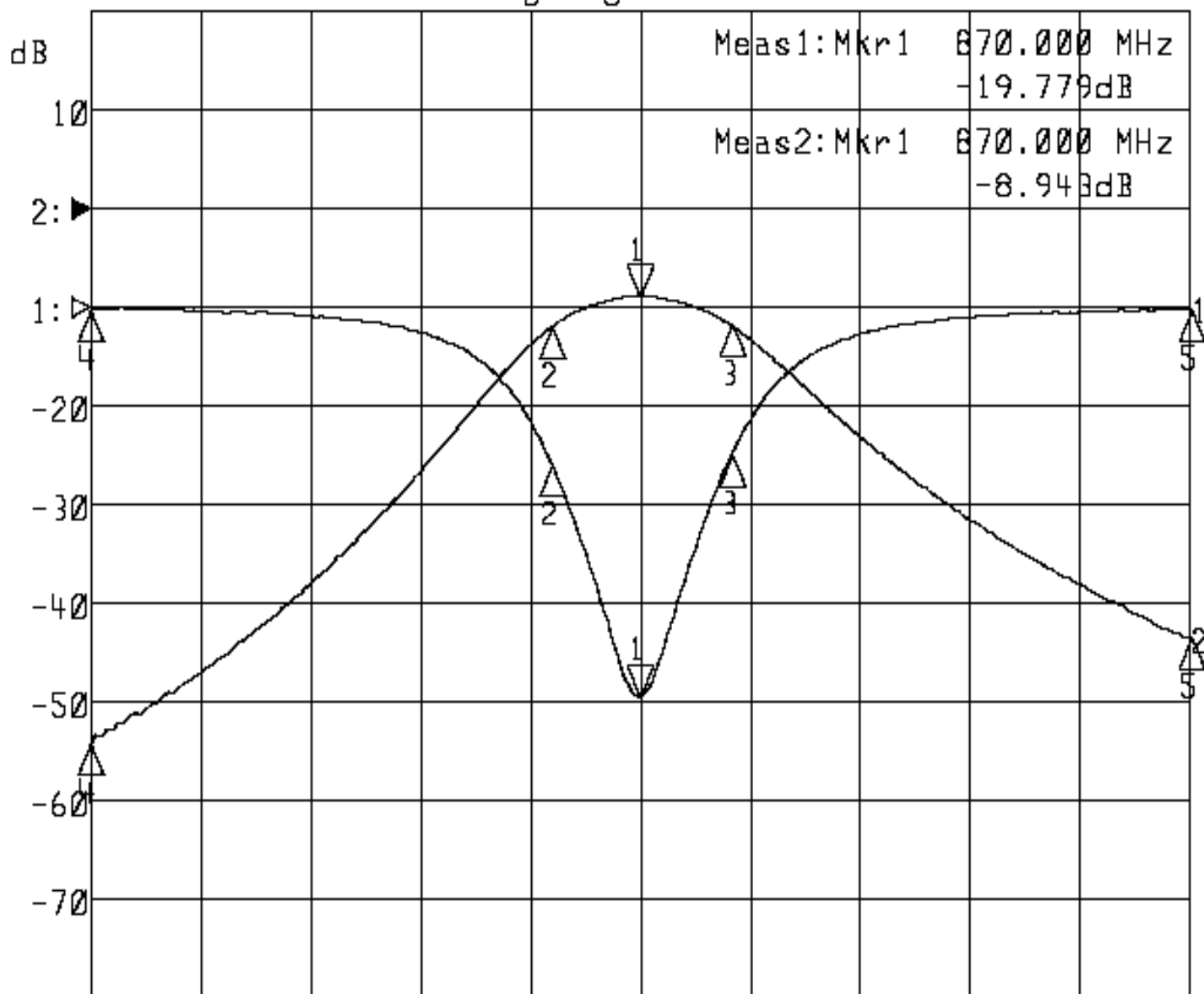
TEMWELL CORPORATION

Performance- TT6818A-870M

2008037B

▶1:S11 Refl Port1 Log Mag 5.0 dB/ Ref 0.00 dB C

▶2:S21 Fwd Trans Log Mag 10.0 dB/ Ref 0.00 dB C



Center 870.000 MHz

Span 60.000 MHz

1: Mkr (MHz)	dB	2: Mkr (MHz)	dB
1> 870.0000	-19.779	1> 870.0000	-8.943
2: 865.1800	-7.939	2: 865.1800	-11.965
3: 874.9800	-7.476	3: 874.9800	-11.820
4: 840.0000	-0.088	4: 840.0000	-54.189
5: 900.0000	-0.087	5: 900.0000	-43.513