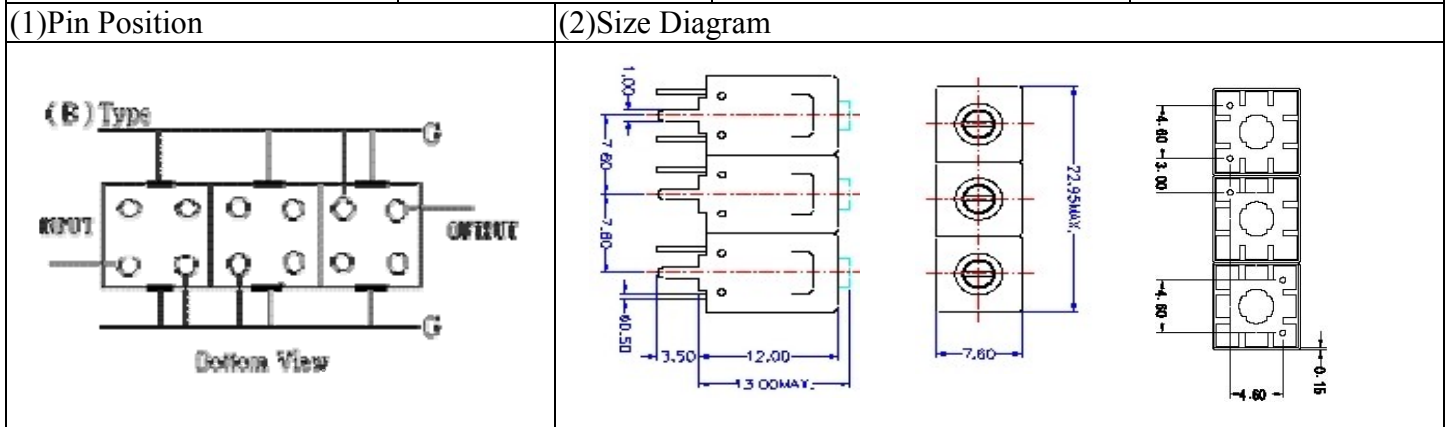


# VHF UHF Helical Filter Specification Sheet

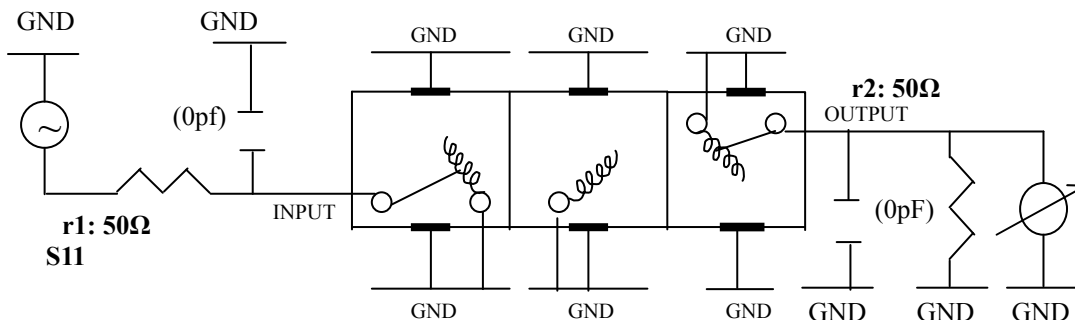
Customer Name		Temwell's Part No.	TT6821B2-150M
Approval No. /dated	0811094APR	Temwell's Print name	146~165M
Work Instruction No.	200811094BD	Date	Dec.11.2008



(3) Electric Characteristic			
Item		Specify	Performance
Center Freq.(Fo) +/- 0.75 %		150 MHz	150 MHz
Tunable Range:		150±2 MHz	150±2 MHz
Insertion Loss		Typ. 5 dB	3.62 dB
-3 dB Bandwidth		Typ. 4 MHz	5.1 MHz
Sensitivity (Attenuation)	Fo - 10 MHz	Typ. 32 dBc	35 dBc
	Fo + 10 MHz	Typ. 27 dBc	30 dBc
	Fo - ( )MHz	Typ. dBc	dBc
	Fo +( )MHz	Typ. dBc	dBc
Return Loss		Min. 12 dB	33.1 dB
Ripple		< 1 dB	dB
Impedance		In / Out : 50 Ω	In / Out : 50 Ω
(4) Torque for Tuning Screw		> 100gf · cm	

(5) Temperature Condition:	
Operating Temperature	-30°C ~ +70°C
Storage Temperature	-30°C ~ +80°C
(6) Input Power	> 1Watt

(7) Measuring Circuit: ※Easy to match Impedance S11/S22 50Ω by parallel with about(0pf) / (0pf).  
S22



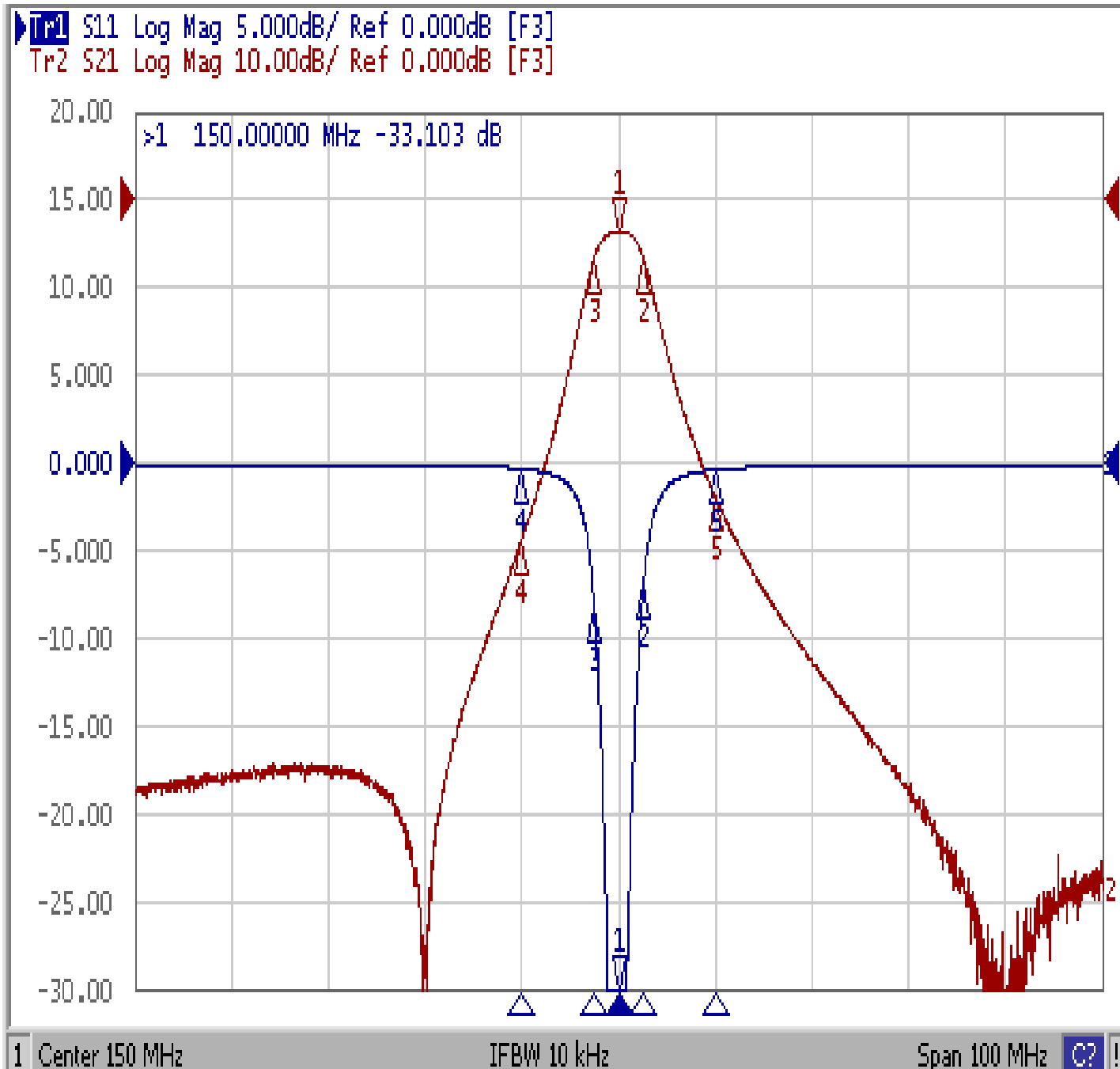
(Bottom View)

Approval	Supervisor	Designer	Aperture size
C.Y.Chang	C.S.Chang	C.S.Chang	7H3(4*5.5F) 7H024RB4

TEMWELL CORPORATION

# Performance-TT6821B2-150M

## 200811094BD



Ch1	Tr1	S11	>1	150.00000	MHz	-33.103	dB
Ch1	Tr1	S11	2	152.57900	MHz	-6.9612	dB
Ch1	Tr1	S11	3	147.46700	MHz	-8.2182	dB
Ch1	Tr1	S11	4	140.00000	MHz	-0.3311	dB
Ch1	Tr1	S11	5	160.00000	MHz	-0.3852	dB
Ch1	Tr2	S21	1	150.00000	MHz	-3.6210	dB
Ch1	Tr2	S21	2	152.57900	MHz	-6.6868	dB
Ch1	Tr2	S21	3	147.46700	MHz	-6.6113	dB
Ch1	Tr2	S21	4	140.00000	MHz	-38.735	dB
Ch1	Tr2	S21	5	160.00000	MHz	-33.922	dB