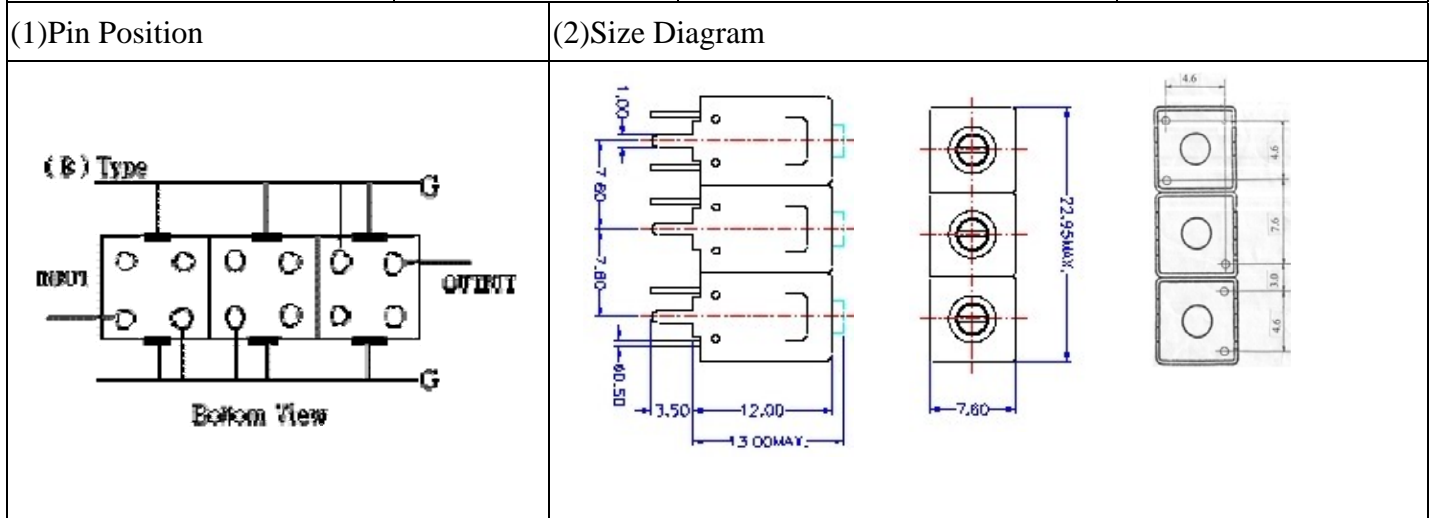


# VHF UHF Helical Filter Specification Sheet

Customer Name		Temwell's Part No.	TT6834B-247.5M
Approval No. /dated	20302024B	Acceptable Specify Fo. Range	246~275MHz
Work Instruction No.	20302024B	Date	Feb.12.2003



(3) Electric Character			
Item	Specify	Performance	
Center Freq.(Fo ) +/- 0.75 %	247.5 MHz	247.5	MHz
Tunable Range	247.5±4 MHz	247.5±4	MHz
Insertion Loss	Typ. 4 dB	3.5	dB
-3 dB Bandwidth	Typ. 4 MHz	7	MHz
Sensitivity (Attenuation)	Fo - 30 MHz	Typ. 50	dBc
	Fo + 30 MHz	Typ. 54	dBc
	Fo - ( )MHz	Typ.	dBc
	Fo +( )MHz	Typ.	dBc
Return Loss	Min. 12 dB	21	dB
Ripple	< 1 dB		dB
Impedance	In / Out : 50 Ω	In / Out : 50 Ω	

(4) Torque for Tuning Screw > 100gf • cm

(5) Temperature Condition:	
Operating Temperature	-30°C ~ +70°C
Storage Temperature	-30°C ~ +80°C

(6) Input Power > 1Watt

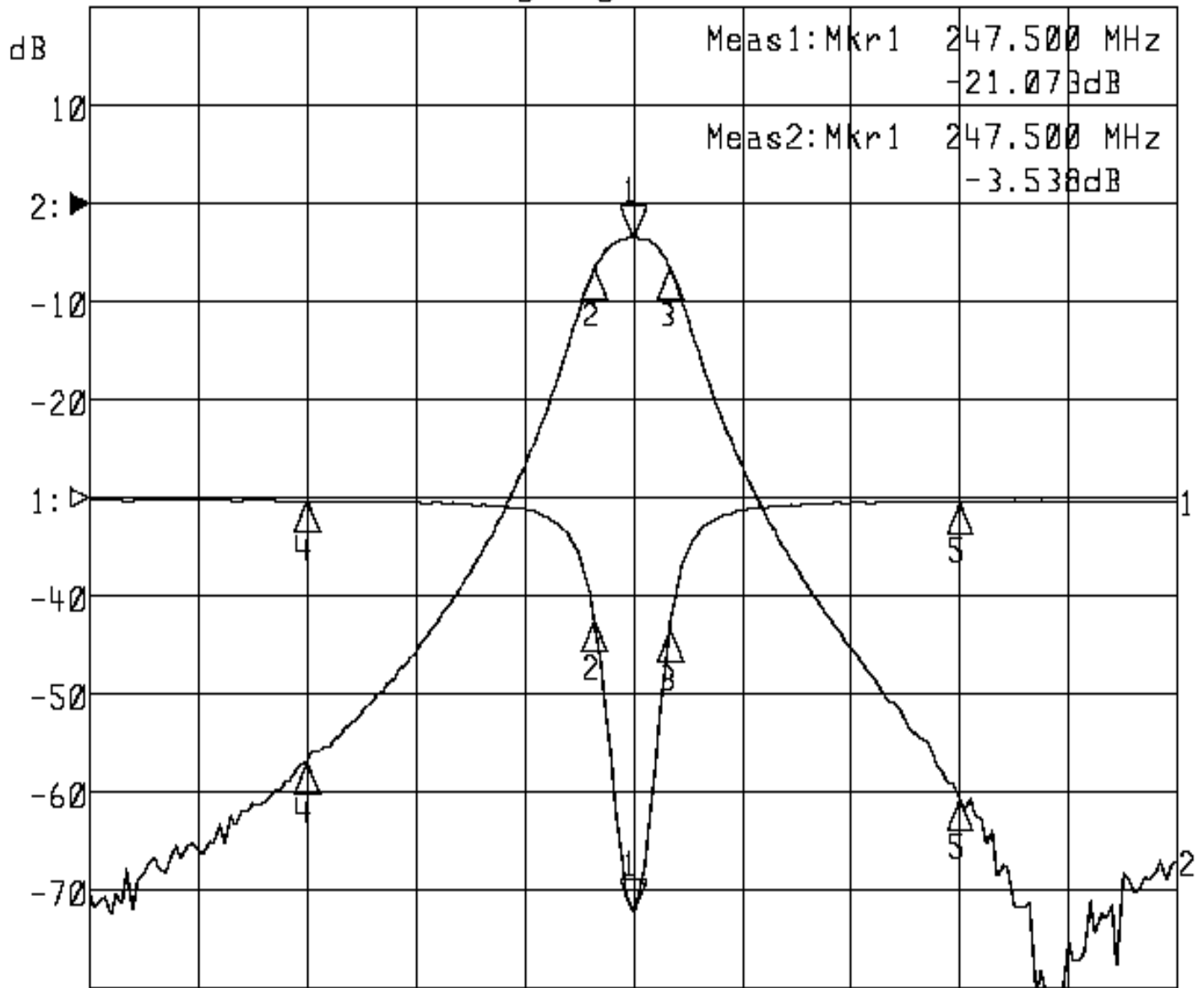
Approval	Supervisor	Designer	Aperture size
C. Y. Chang	C. S. Chang	C. S. Chang	7H3S 4*4.69 7H024LB4

TEMWELL CORPORATION

# Performance-TT6834B-247.5M

20302024B

▷1:S11 Refl Port1 Log Mag 5.0 dB/ Ref 0.00 dB C  
▶2:S21 Fwd Trans Log Mag 10.0 dB/ Ref 0.00 dB C



Center 247.500 MHz

Span 100.000 MHz

1:Mkr (MHz)	dB	2:Mkr (MHz)	dB
1> 247.5000	-21.073	1> 247.5000	-3.538
2: 243.9667	-6.262	2: 243.9667	-6.546
3: 250.8667	-6.703	3: 250.8667	-6.500
4: 217.5000	-0.161	4: 217.5000	-56.885
5: 277.5000	-0.236	5: 277.5000	-60.688