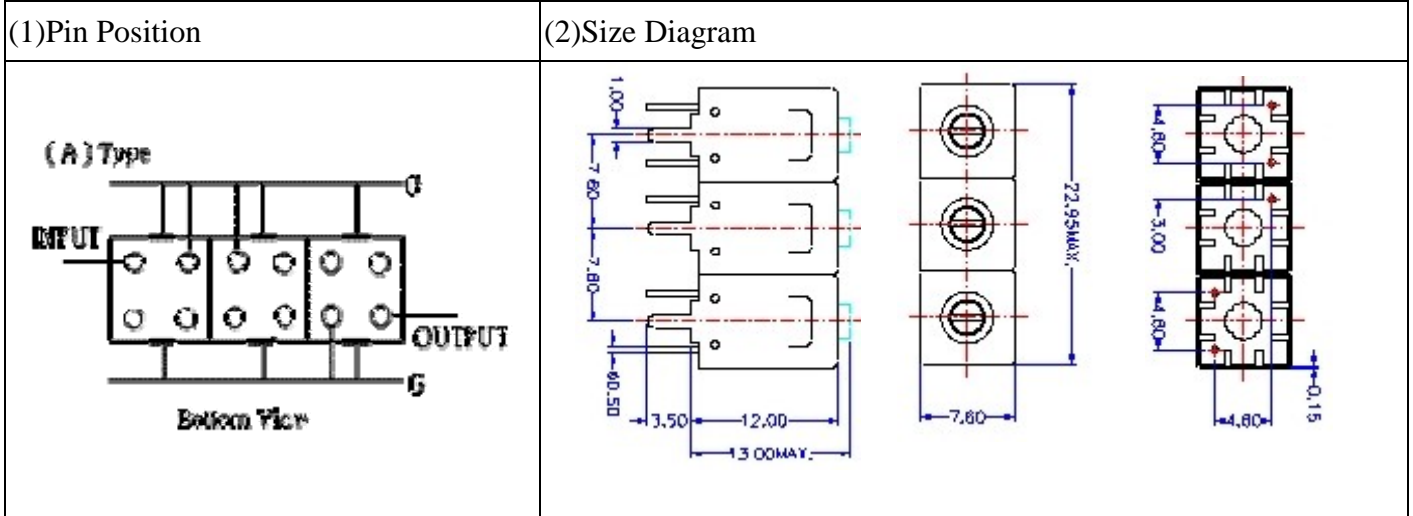


VHF UHF Helical Filter Specification Sheet

Customer Name		Temwell's Part No.	TT6869A-735.25M
Approval No. /dated	20401052DB	Acceptable Specify Fo. Range	701~750MHz
Work Instruction No.	20401052DB	Date	



(3) Electric Character			
Item	Specify	Performance	
Center Freq.(Fo) +/- 0.5 %	735.25 MHz	735.25	MHz
Tunable Range	735.25±3 MHz	735.25±3	MHz
Insertion Loss	Typ. 5.5 dB	4.5	dB
-3 dB Bandwidth	Typ. 9 MHz	12	MHz
Sensitivity (Attenuation)	Fo -20 MHz	Typ. 30	dBc
	Fo +20 MHz	Typ. 22	dBc
	Fo - ()MHz	Typ.	dBc
	Fo +()MHz	Typ.	dBc
Return Loss	Min. 12 dB	38	dB
Ripple	< 1 dB		dB
Impedance	In / Out : 50 Ω	In / Out : 50 Ω	

(4) Torque for Tuning Screw	> 100gf • cm
-----------------------------	--------------

(5) Temperature Condition:	
Operating Temperature	0°C ~ +60°C
Storage Temperature	-20°C ~ +70°C

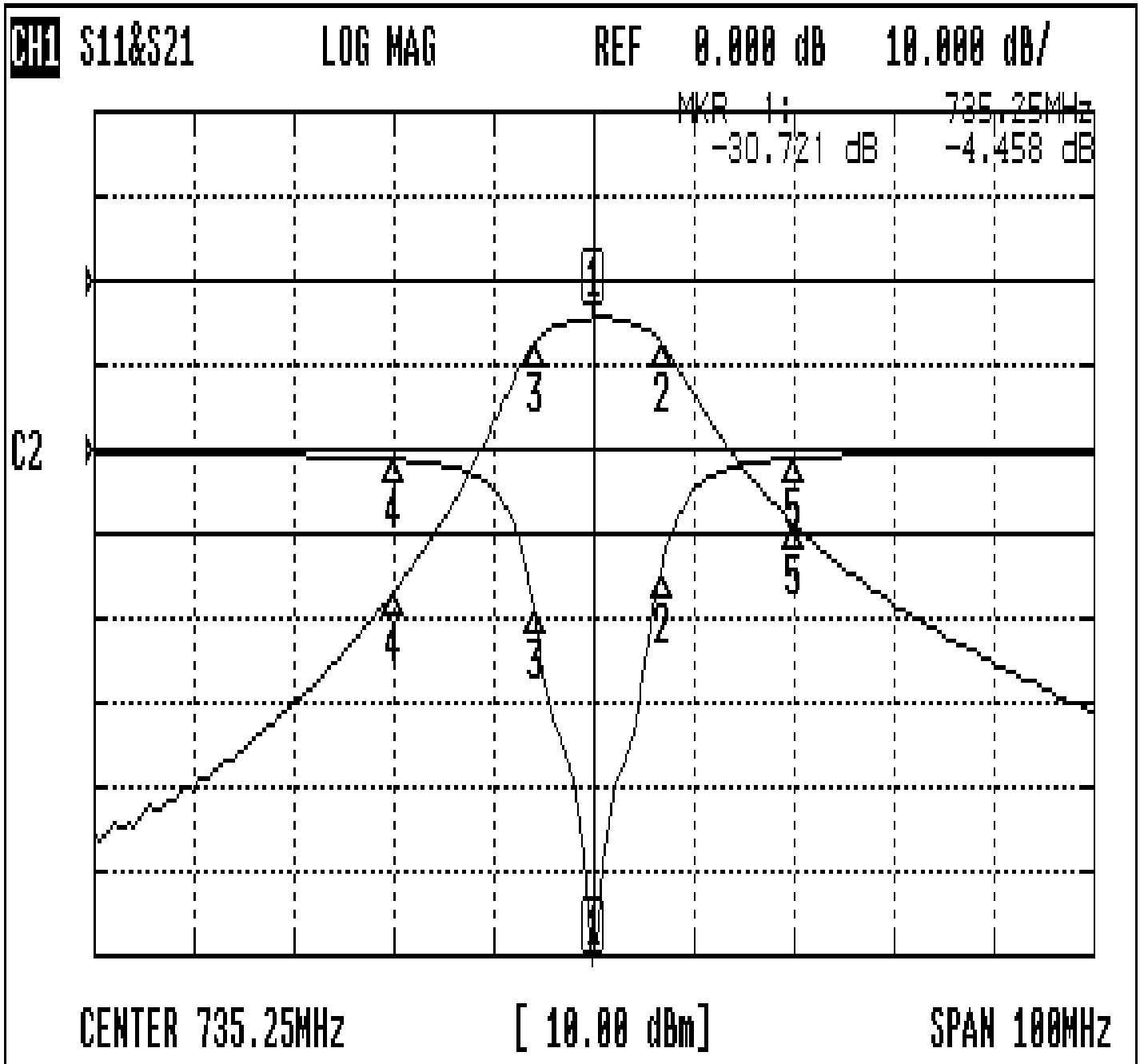
(6) Input Power	> 1Watt
-----------------	---------

Approval	Supervisor	Designer	Aperture size
C.Y.Chang	C.S.Chang	C.S.Chang	7H3S(4*4.65)F 7H046LB4 聚 3

TEMWELL CORPORATION

Performance-TT6869A-735.25M

20401052DB



CH1 MARKER LIST

1:	735.250MHz	-30.721 dB	-4.458 dB
2:	742.000MHz	-7.277 dB	-7.459 dB
3:	729.333MHz	-9.528 dB	-7.472 dB
4:	715.250MHz	-0.601 dB	-36.861 dB
5:	755.250MHz	-0.538 dB	-28.842 dB