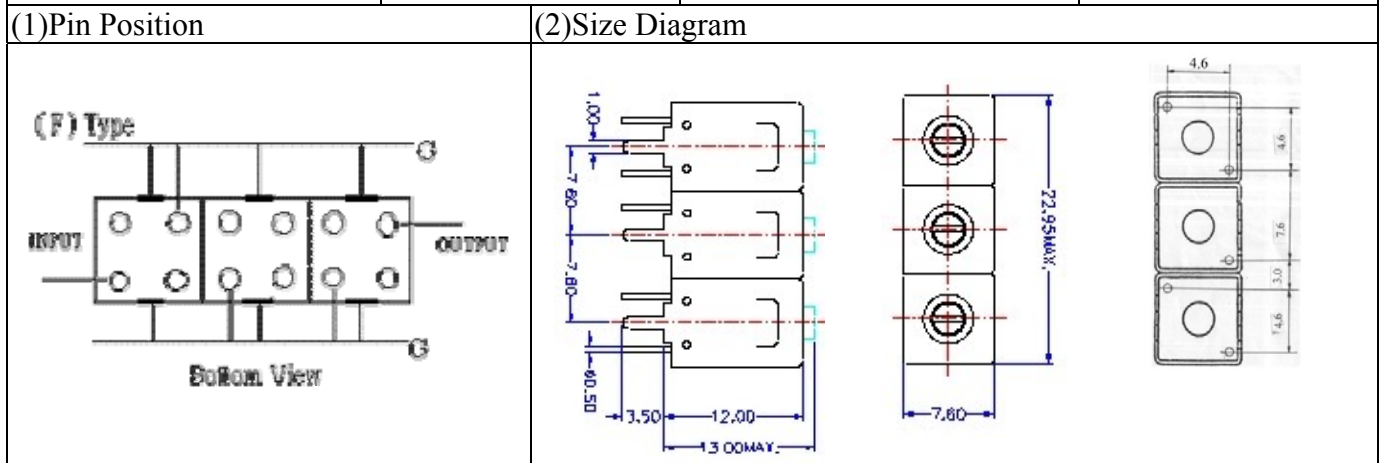


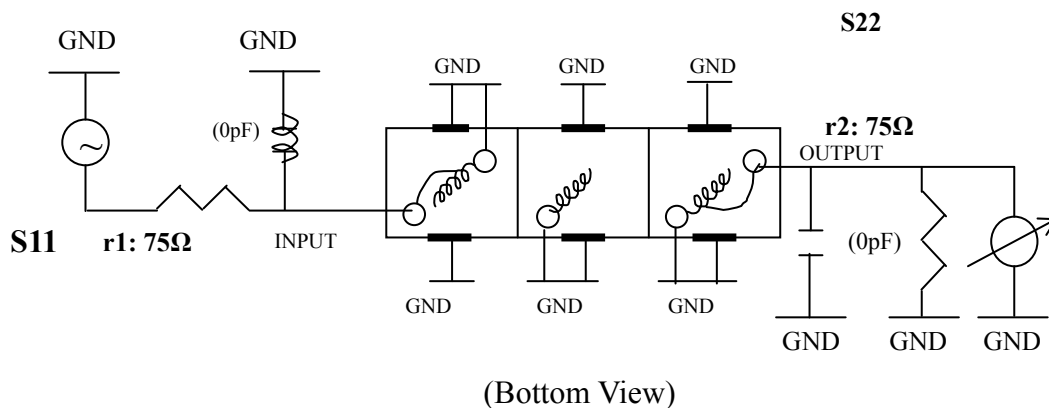
VHF UHF Helical Filter Specification Sheet

Customer Name		Temwell's Part No.	TTL6307F-181.25M
Approval No. /dated	0611032APR	Acceptable Specify Fo Range	166~195 MHz
Work Instruction No.	0611032DC	Date	Nov.21.2006



(3) Electric Characteristic			
Item		Specify	Performance
Center Freq.(Fo) +/- 0.5 %		181.25 MHz	181.25 MHz
Tunable Range		181.25±2 MHz	181.25±2 MHz
Insertion Loss		Typ. 4.0 dB	3.16 dB
-3 dB Bandwidth		Typ. 6 MHz	6.9 MHz
Sensitivity (Attenuation)	Fo - 10 MHz	Typ. 26 dB	29 dB
	Fo + 10 MHz	Typ. 22 dB	25 dB
	Fo - ()MHz	Typ. dB	dB
	Fo + ()MHz	Typ. dB	dB
Return Loss		Min. 12 dB	24.4 dB
Ripple		< 1 dB	dB
Impedance		In / Out : 75 Ω	In / Out : 75 Ω
(4) Torque for Tuning Screw		> 100gf · cm	
(5) Temperature Condition:			
Operating Temperature		-0°C ~ +60°C	
Storage Temperature		-20°C ~ +70°C	
(6) Input Power		> 1 Watt	

(7) Measuring Circuit: ※ Easy to match Impedance S11/S22 75Ω by parallel with about(0pF)/(0pF).



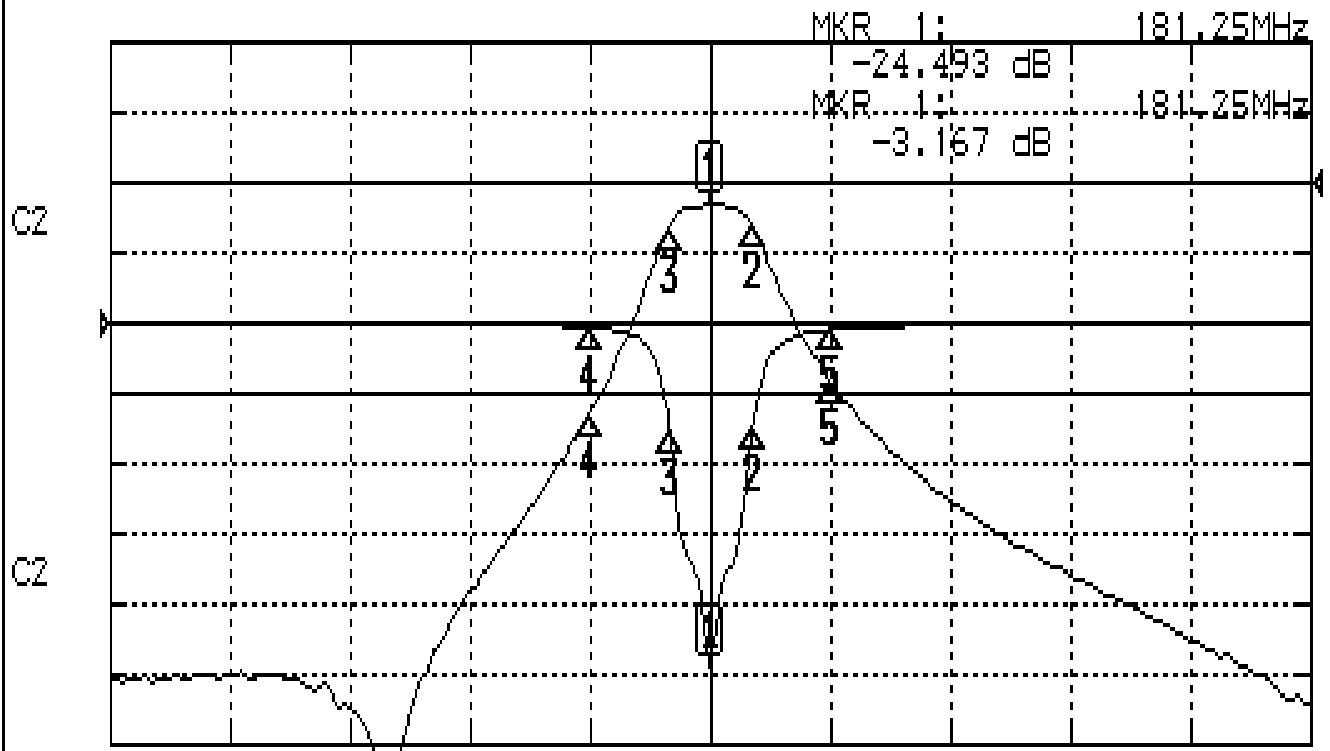
Approval	Supervisor	Designer	Aperture size
C.Y.Chang	C.S.Chang	W.W.Wang	7H3(4*5.5)F 7H024LB4

TEMWELL CORPORATION

Performance-TTL6307F-181.25M

0611032DC

CH1 S11 LOG MAG REF 0.000 dB 5.000 dB/
CH2 S21 LOG MAG REF 0.000 dB 10.000 dB/



CENTER 181.25MHz

[10.00 dBm]

SPAN 100MHz

CH1 MARKER LIST

1:	181.250MHz	-24.468 dB
2:	184.833MHz	-7.193 dB
3:	177.916MHz	-7.686 dB
4:	171.250MHz	-0.240 dB
5:	191.250MHz	-0.396 dB

CH2 MARKER LIST

1:	181.250MHz	-3.167 dB
2:	184.833MHz	-6.060 dB
3:	177.916MHz	-6.200 dB
4:	171.250MHz	-32.912 dB
5:	191.250MHz	-28.117 dB