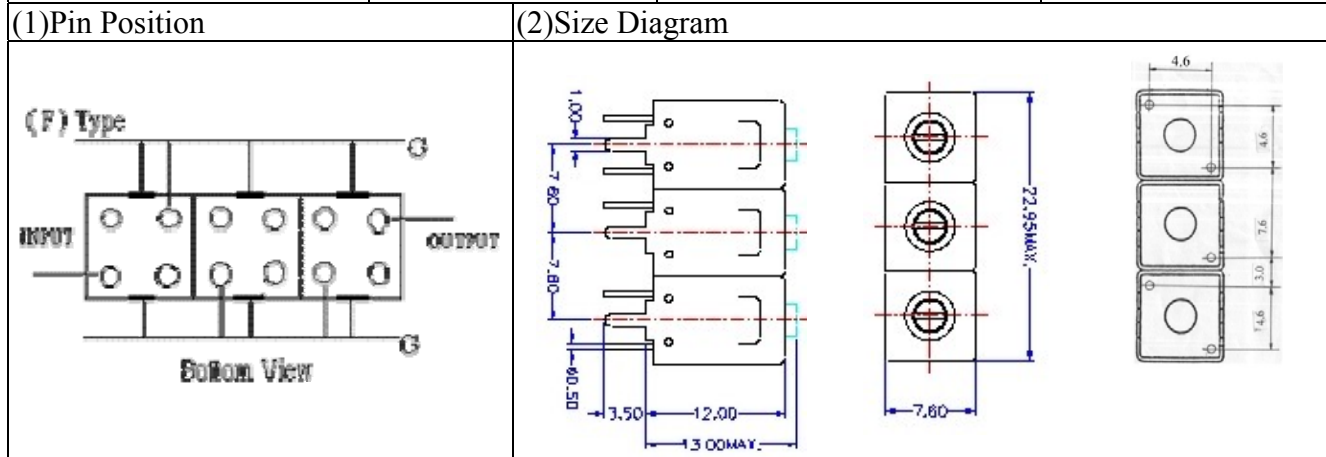


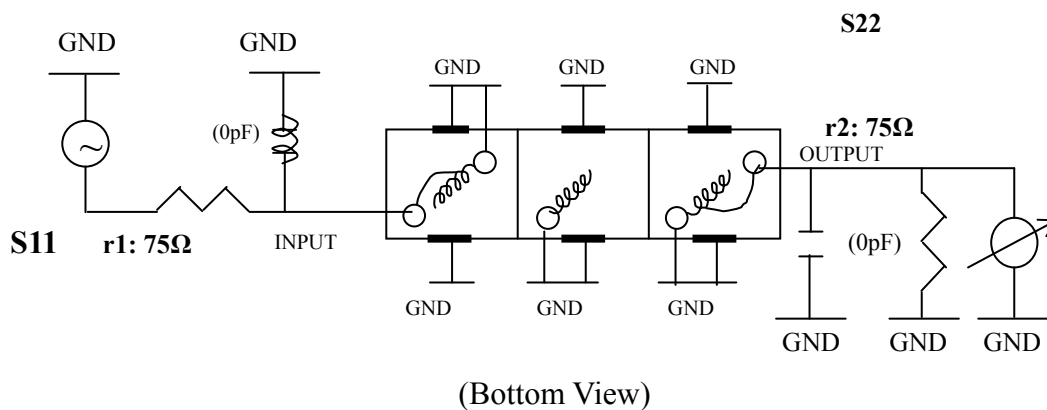
VHF UHF Helical Filter Specification Sheet

Customer Name		Temwell's Part No.	TTL6308F-187.25M
Approval No. /dated	0611033APR	Acceptable Specify Fo Range	166~195 MHz
Work Instruction No.	0611033DC	Date	Nov.22.2006



(3) Electric Characteristic		Item	Specify	Performance
Center Freq.(Fo) +/- 0.5 %			187.25 MHz	187.25 MHz
Tunable Range			187.25±2 MHz	187.25±2 MHz
Insertion Loss			Typ. 4.5 dB	3.30 dB
-3 dB Bandwidth			Typ. 5 MHz	6.7 MHz
Sensitivity (Attenuation)	Fo - 10 MHz	Typ. 29 dB		32 dB
	Fo + 10 MHz	Typ. 25 dB		28 dB
	Fo - ()MHz	Typ. dB		dB
	Fo +()MHz	Typ. dB		dB
Return Loss			Min. 12 dB	26.2 dB
Ripple			< 1 dB	dB
Impedance			In / Out : 75 Ω	In / Out : 75 Ω
(4) Torque for Tuning Screw			> 100gf • cm	
(5) Temperature Condition:				
Operating Temperature			-0°C ~ +60°C	
Storage Temperature			-20°C ~ +70°C	
(6) Input Power			> 1Watt	

(7) Measuring Circuit: ※ Easy to match Impedance S11/S22 75Ω by parallel with about(0pF) /(0pF).



Approval	Supervisor	Designer	Aperture size
C.Y.Chang	C.S.Chang	J.F.Lin	7H3(4*5.5)F(5.57) 7H024LB4

TEMWELL CORPORATION

TEMWELL

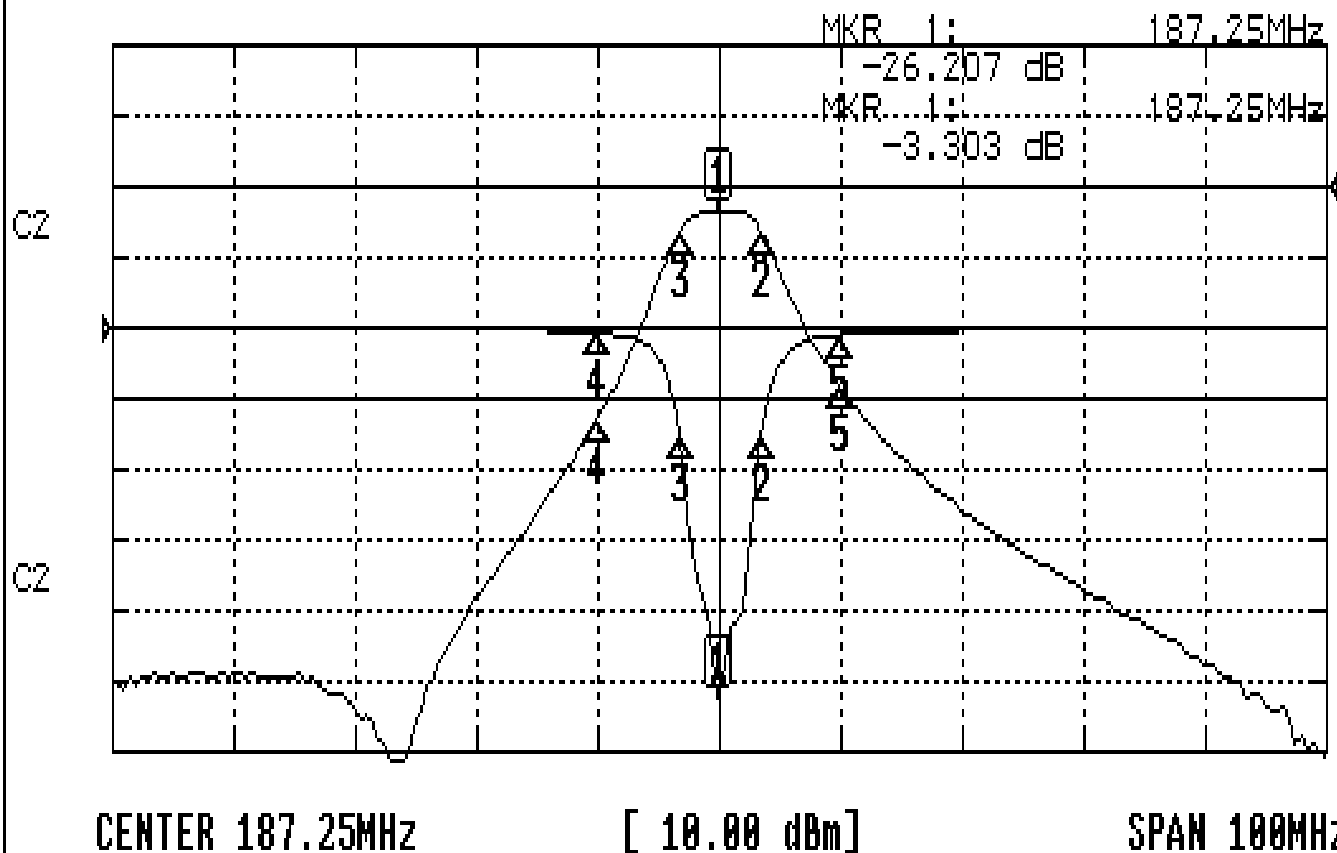
Form10-7H3F Vision D

RP(J.F.Lin)

Performance-TTL6308F-187.25M

0611033DC

CH1 S11 LOG MAG REF 0.000 dB 5.000 dB/
CH2 S21 LOG MAG REF 0.000 dB 10.000 dB/



CH1 MARKER LIST

1	187.250MHz	-26.274 dB
2	190.750MHz	-7.501 dB
3	184.000MHz	-7.712 dB
4	177.250MHz	-0.306 dB
5	197.250MHz	-0.460 dB

CH2 MARKER LIST

1	187.250MHz	-3.303 dB
2	190.750MHz	-6.176 dB
3	184.000MHz	-6.364 dB
4	177.250MHz	-32.808 dB
5	197.250MHz	-28.142 dB