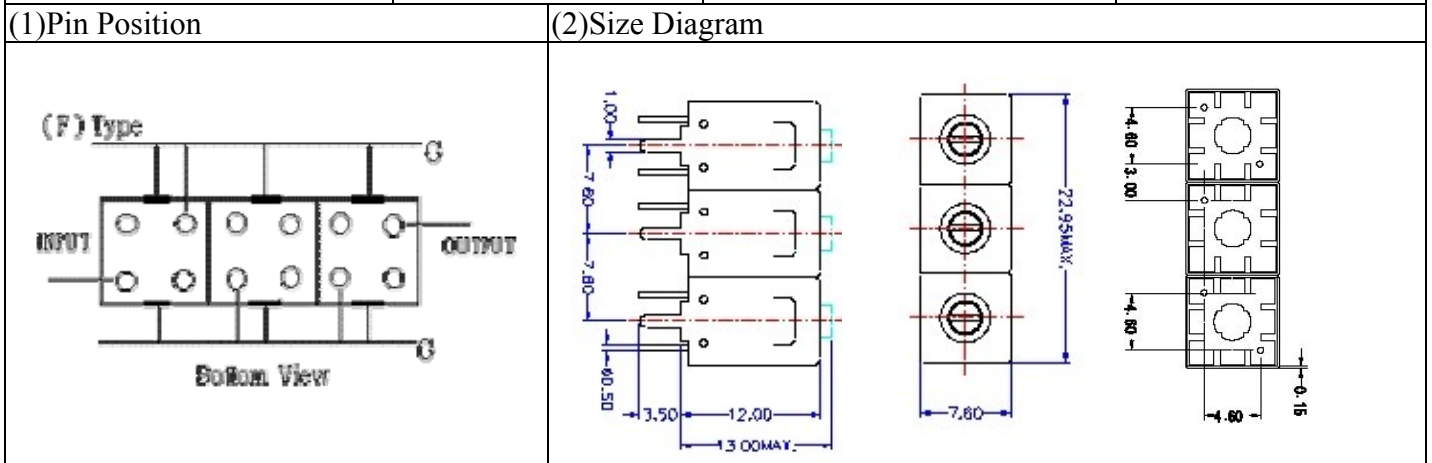


VHF UHF Helical Filter Specification Sheet

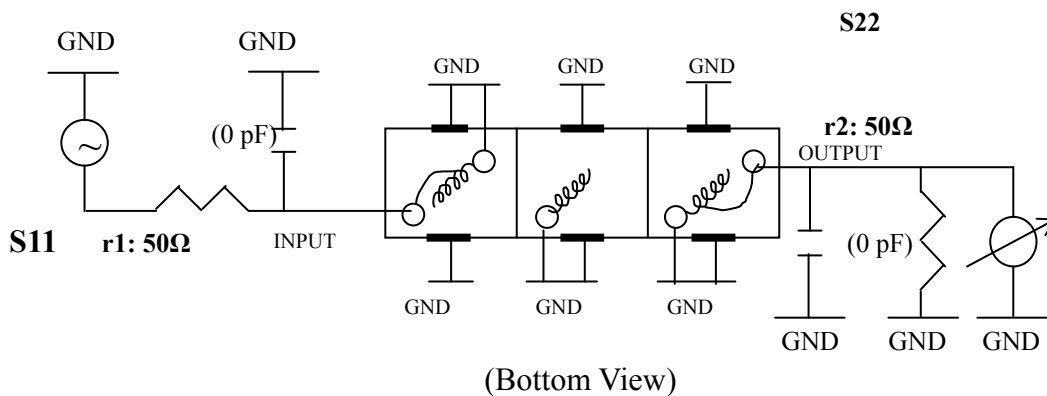
Customer Name		Temwell's Part No.	TTL63101F-58.5M
Approval No. /dated	0701022APR	Acceptable Specify Fo Range.	56~67M
Work Instruction No.	0701022DC	Date	Feb.08.2007



(3) Electric Chararctic

Item	Specify	Performance
Center Freq.(Fo) +/- 0.5 %	58.5 MHz	58.5 MHz
Tunable Range:	58.5±2 MHz	58.5±2 MHz
Insertion Loss	Typ. 3.0 dB	1.92 dB
-3 dB Bandwidth	Typ. 6 MHz	7.4 MHz
Sensitivity (Attenuation)	Fo - 15 MHz	Typ. 48 dB
	Fo + 15 MHz	Typ. 37 dB
	Fo - ()MHz	Typ. dB
	Fo + ()MHz	Typ. dB
Return Loss	Min. 12 dB	24.4 dB
Ripple	< 1 dB	dB
Impedance	In / Out : 75 Ω	In / Out : 75 Ω
(4) Torque for Tuning Screw	> 100gf · cm	
(5) Temperature Condition:		
Operating Temperature	0°C ~ +60°C	
Storage Temperature	-20°C ~ +70°C	
(6) Input Power	> 1Watt	

(7) Measuring Circuit: ※Easy to match Impedance S11/S22 75Ω by parallel with about(0 pF) / (0 pF).

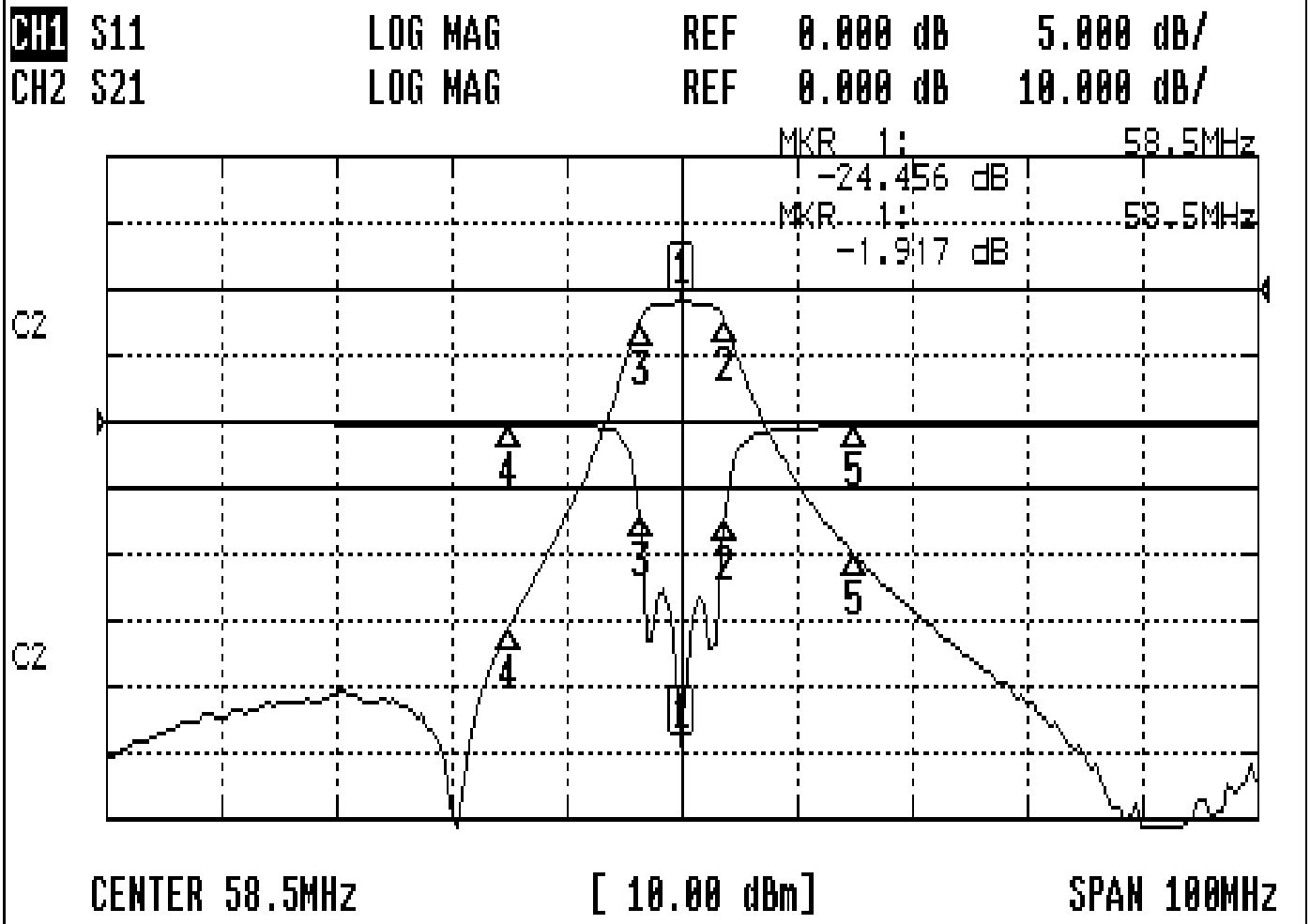


Approval	Supervisor	Designer	Aperture size
C.Y.Chang	C.S.Chang	J.F.Lin	7H3(4*7.5F) 7H00LB6/7H00LB4

TEMWELL CORPORATION

Performance-TTL63101F-58.5M

0701022DC



CH1 MARKER LIST

Marker	Frequency (MHz)	Magnitude (dB)
1	58.5000	-24.456
2	62.2500	-7.377
3	64.8333	-7.083
4	43.5000	-0.191
5	73.5000	-0.369

CH2 MARKER LIST

Marker	Frequency (MHz)	Magnitude (dB)
1	58.5000	-1.923
2	62.2500	-4.688
3	64.8333	-4.804
4	43.5000	-51.151
5	73.5000	-40.035