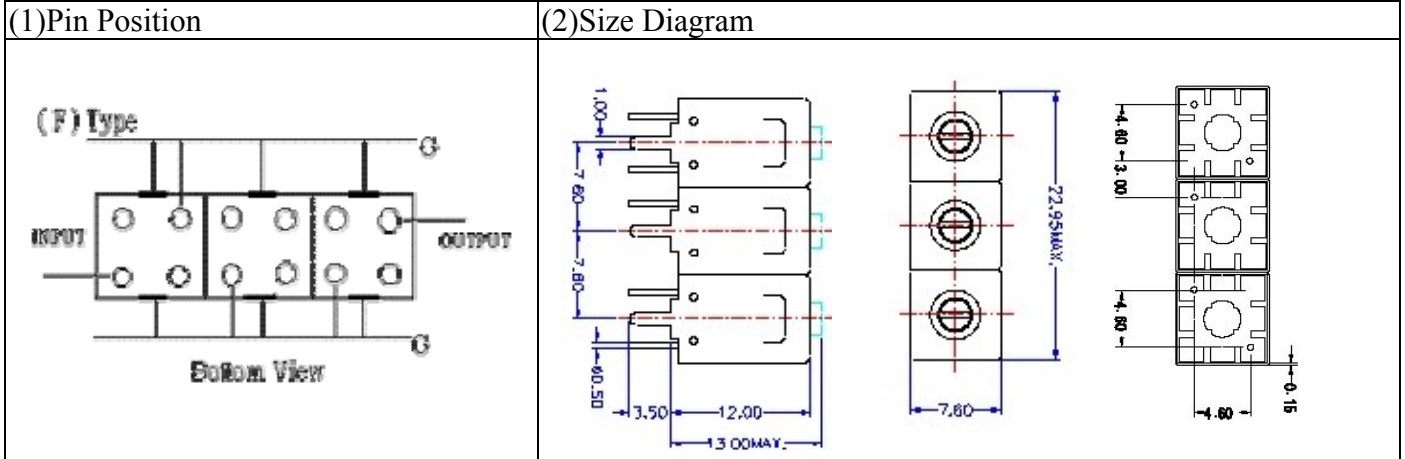


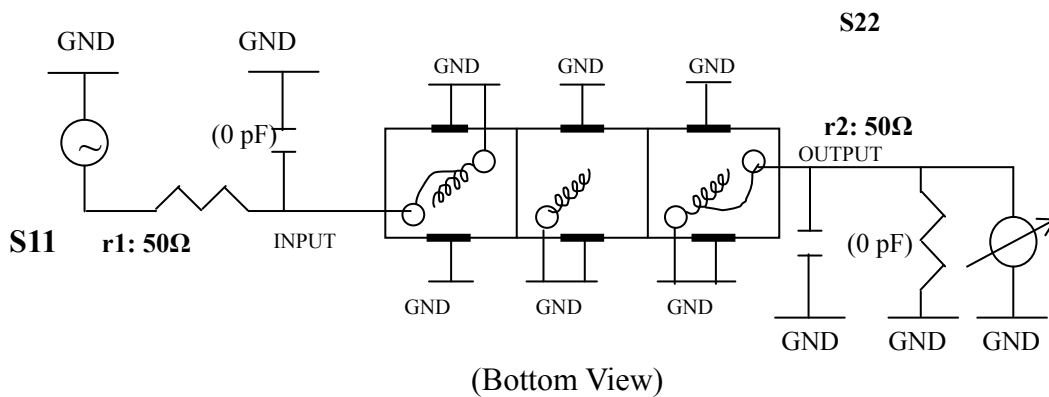
VHF UHF Helical Filter Specification Sheet

Customer Name		Temwell's Part No.	TTL63103F-72.5M
Approval No. /dated	0701024APR	Acceptable Specify Fo Range.	68~75M
Work Instruction No.	0701024DC	Date	Feb.08.2007



(3) Electric Chararistic			
Item		Specify	Performance
Center Freq.(Fo) +/- 0.5 %		72.5 MHz	72.5 MHz
Tunable Range:		72.5±2 MHz	72.5±2 MHz
Insertion Loss		Typ. 3.5 dB	2.42 dB
-3 dB Bandwidth		Typ. 6 MHz	7.3 MHz
Sensitivity (Attenuation)	Fo - 15 MHz	Typ. 44 dB	47 dB
	Fo + 15 MHz	Typ. 38 dB	41 dB
	Fo - ()MHz	Typ. dB	dB
	Fo +()MHz	Typ. dB	dB
Return Loss		Min. 12 dB	16.3 dB
Ripple		< 1 dB	dB
Impedance		In / Out : 75 Ω	In / Out : 75 Ω
(4) Torque for Tuning Screw		> 100gf · cm	
(5) Temperature Condition:			
Operating Temperature		0°C ~ +60°C	
Storage Temperature		-20°C ~ +70°C	
(6) Input Power		> 1Watt	

(7) Measuring Circuit: ※Easy to match Impedance S11/S22 75Ω by parallel with about(0 pF) / (0 pF).



Approval	Supervisor	Designer	Aperture size
C.Y.Chang	C.S.Chang	J.F.Lin	7H3(4*6.5F) 7H00LB4/7H00LB6

TEMWELL CORPORATION

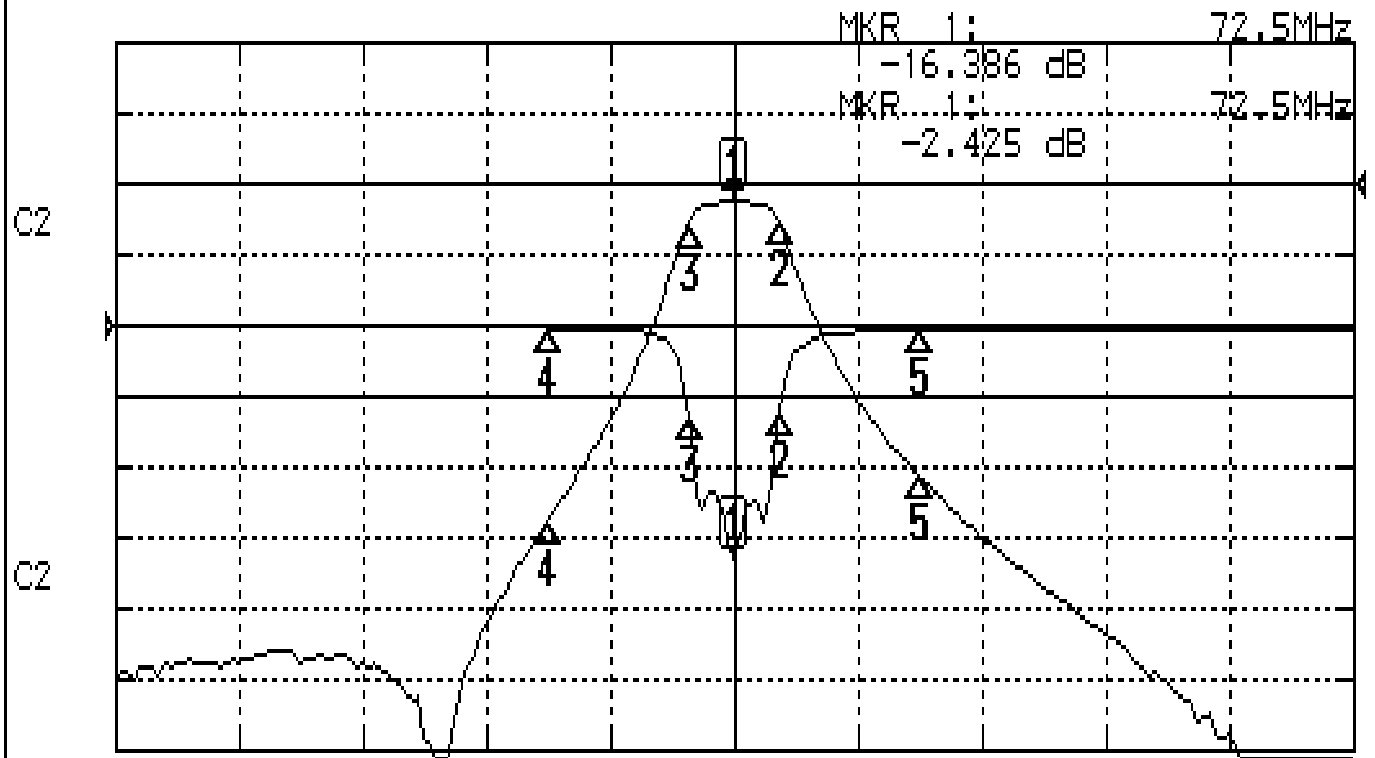
TEMWELL

Form10-7H3F Vision D RP(J.F.Lin)

Performance-TTL63103F-72.5M

0701024DC

CH1 S11 LOG MAG REF 0.000 dB 5.000 dB/
CH2 S21 LOG MAG REF 0.000 dB 10.000 dB/



CENTER 72.5MHz

[10.00 dBm]

SPAN 100MHz

CH1 MARKER LIST

Marker	Frequency (MHz)	Magnitude (dB)
1	72.500	-16.386
2	76.166	-6.123
3	68.833	-6.580
4	57.500	-0.151
5	87.500	-0.302

CH2 MARKER LIST

Marker	Frequency (MHz)	Magnitude (dB)
1	72.500	-2.425
2	76.166	-15.616
3	68.833	-15.459
4	57.500	-47.406
5	87.500	-41.349