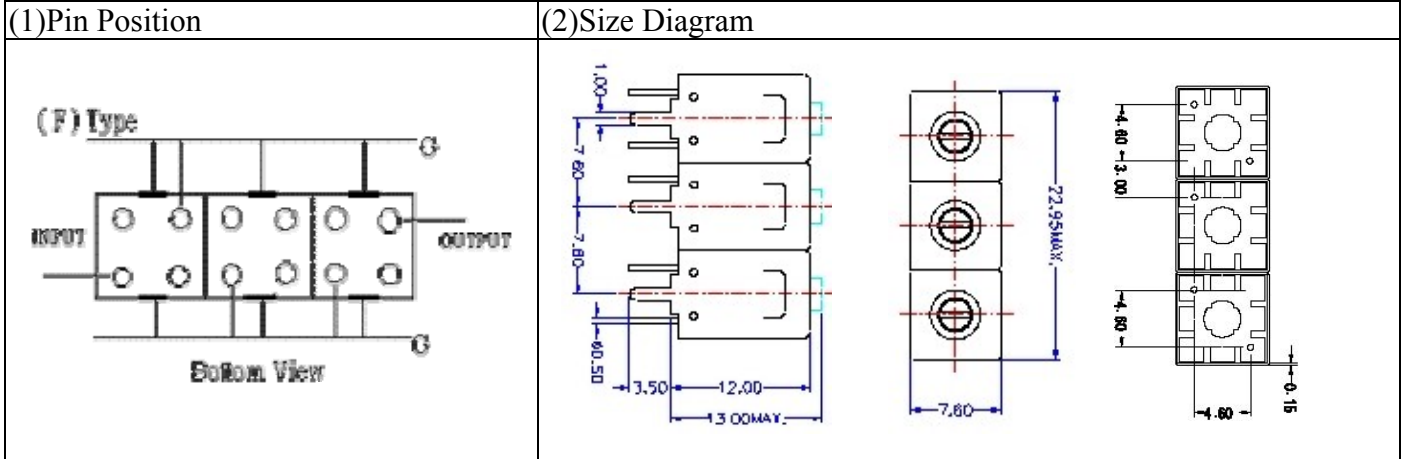


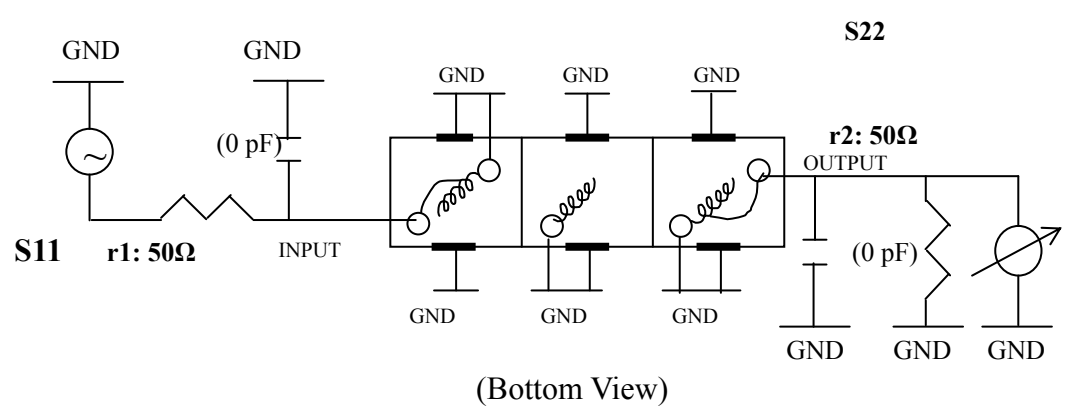
VHF UHF Helical Filter Specification Sheet

| | | | |
|----------------------|-----------|------------------------------|-----------------|
| Customer Name | | Temwell's Part No. | TTL63104F-79.5M |
| Approval No. /dated | 0701025PR | Acceptable Specify Fo Range. | 76~85M |
| Work Instruction No. | 0701025DC | Date | Feb.08.2007 |



| (3) Electric Character | | | |
|------------------------------|-----------------|-----------------|-------|
| Item | Specify | Performance | |
| Center Freq.(Fo) +/- 0.5 % | 79.5 MHz | 79.5 MHz | |
| Tunable Range: | 79.5±2 MHz | 79.5±2 MHz | |
| Insertion Loss | Typ. 3.5 dB | 2.59 dB | |
| -3 dB Bandwidth | Typ. 7 MHz | 7.9 MHz | |
| Sensitivity (Attenuation) | Fo - 15 MHz | Typ. 45 dB | 48 dB |
| | Fo + 15 MHz | Typ. 35 dB | 38 dB |
| | Fo - ()MHz | Typ. dB | dB |
| | Fo +()MHz | Typ. dB | dB |
| Return Loss | Min. 12 dB | 19.1 dB | |
| Ripple | < 1 dB | dB | |
| Impedance | In / Out : 75 Ω | In / Out : 75 Ω | |
| (4) Torque for Tuning Screw | | > 100gf · cm | |
| (5) Temperature Condition: | | | |
| Operating Temperature | | 0°C ~ +60°C | |
| Storage Temperature | | -20°C ~ +70°C | |
| (6) Input Power | | > 1Watt | |

(7) Measuring Circuit: ※Easy to match Impedance S11/S22 75Ω by parallel with about(0 pF) / (0 pF).



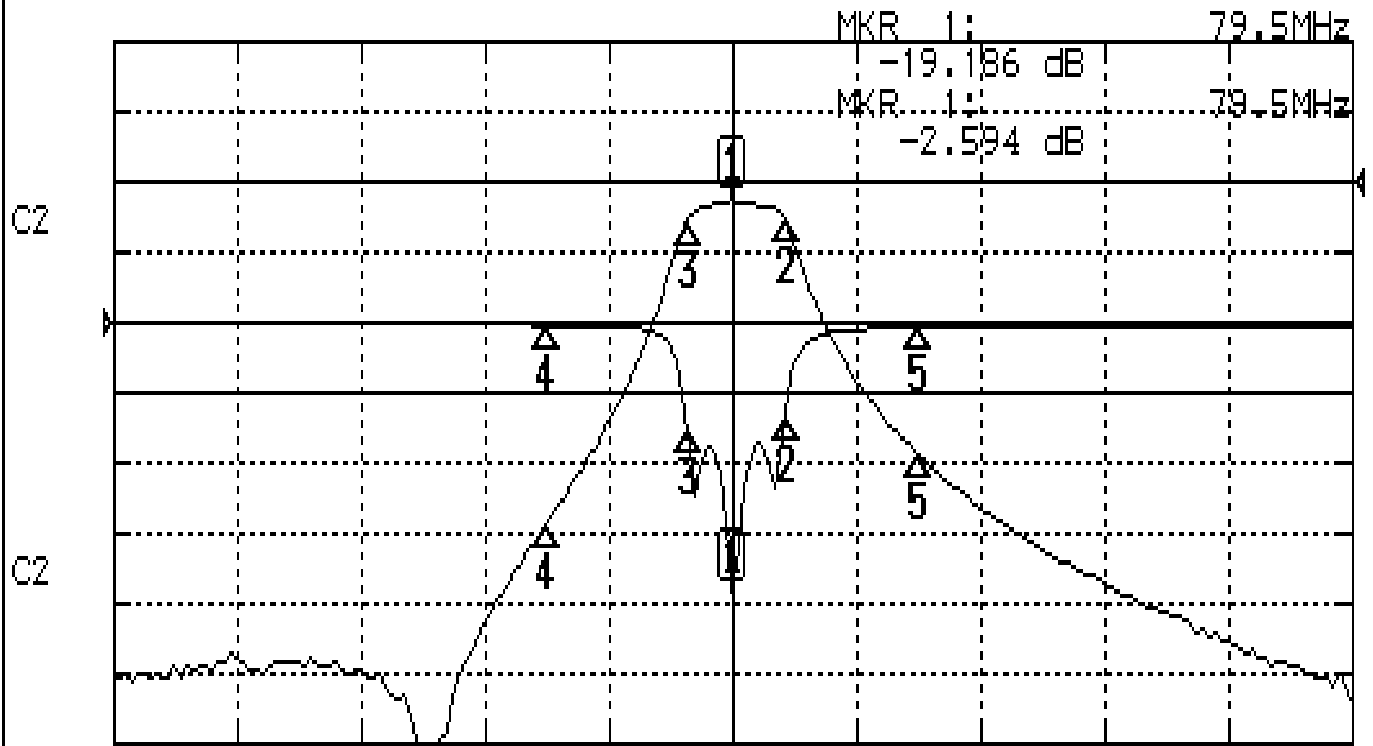
| | | | |
|-----------|------------|----------|--------------------------------|
| Approval | Supervisor | Designer | Aperture size |
| C.Y.Chang | C.S.Chang | J.F.Lin | 7H3(4*6.5F) 7H00LB4/7H00LB6 |

TEMWELL CORPORATION

Performance-TTL63104F-79.5M

0701025DC

CH1 S11 LOG MAG REF 0.000 dB 5.000 dB/
 CH2 S21 LOG MAG REF 0.000 dB 10.000 dB/



CENTER 79.5MHz

[10.00 dBm]

SPAN 100MHz

CH1 MARKER LIST

| | | | |
|----|-----------|---------|----|
| 1: | 79.500MHz | -19.186 | dB |
| 2: | 83.750MHz | -6.797 | dB |
| 3: | 75.833MHz | -7.695 | dB |
| 4: | 64.500MHz | -0.152 | dB |
| 5: | 94.500MHz | -0.314 | dB |

CH2 MARKER LIST

| | | | |
|----|-----------|--------|----|
| 1: | 79.500MHz | -2.594 | dB |
| 2: | 83.750MHz | -1.144 | dB |
| 3: | 75.833MHz | -1.103 | dB |
| 4: | 64.500MHz | -4.666 | dB |
| 5: | 94.500MHz | -8.837 | dB |