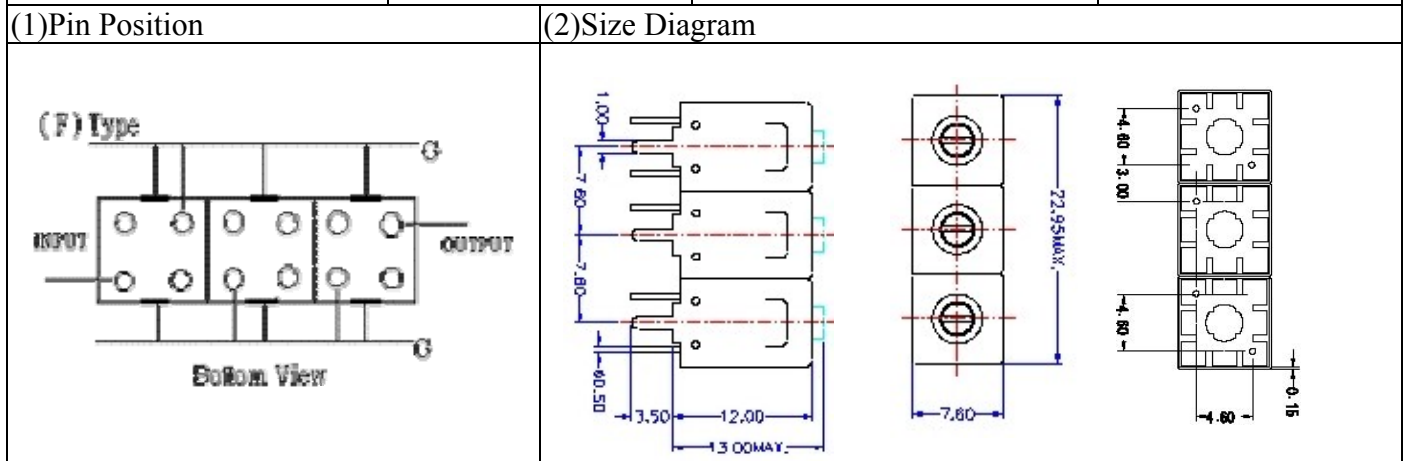


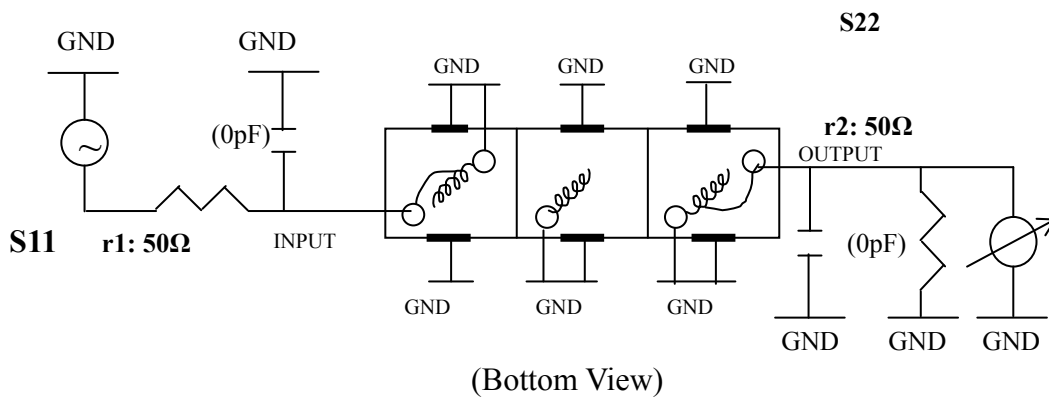
# VHF UHF Helical Filter Specification Sheet

Customer Name		Temwell's Part No.	TTL63106F-93.5M
Approval No. /dated	0701027APR	Acceptable Specify Fo Range.	86~95M
Work Instruction No.	0701027DC	Date	Feb.08.2007



(3) Electric Chararistic		Item	Specify	Performance
Center Freq.(Fo) +/- 0.5 %			93.5 MHz	93.5 MHz
Tunable Range:			93.5±2 MHz	93.5±2 MHz
Insertion Loss			Typ. 3.5 dB	2.62 dB
-3 dB Bandwidth			Typ. 7 MHz	7.9 MHz
Sensitivity (Attenuation)	Fo - 15 MHz	Typ. 38 dB	41 dB	
	Fo + 15 MHz	Typ. 34 dB	37 dB	
	Fo - ( )MHz	Typ. dB	dB	
	Fo +( )MHz	Typ. dB	dB	
Return Loss		Min. 12 dB	26.6 dB	
Ripple		< 1 dB	dB	
Impedance		In / Out : 75 Ω	In / Out : 75 Ω	
(4) Torque for Tuning Screw			> 100gf · cm	
(5) Temperature Condition:				
Operating Temperature			0°C ~ +60°C	
Storage Temperature			-20°C ~ +70°C	
(6) Input Power			> 1Watt	

(7) Measuring Circuit: ※Easy to match Impedance S11/S22 75Ω by parallel with about(0pF) / (0pF).



Approval	Supervisor	Designer	Aperture size
C.Y.Chang	C.S.Chang	J.F.Lin	7H3(4*5.5F) 7H00LB4/7H00LB6

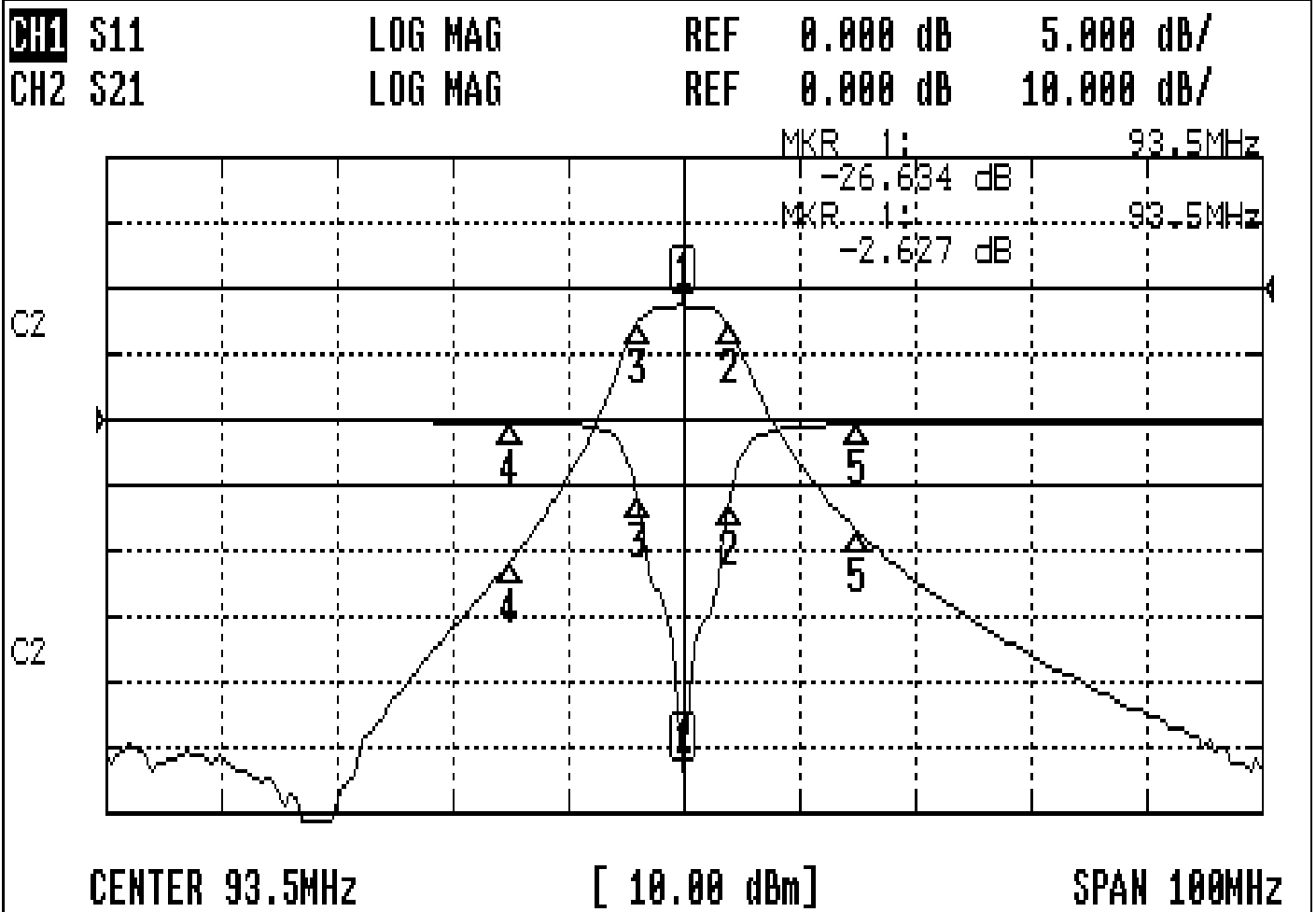
TEMWELL CORPORATION

TEMWELL

Form10-7H3F Vision D RP(J.F.Lin)

# Performance-TTL63106F-93.5M

## 0701027DC



### CH1 MARKER LIST

1:	93.500MHz	-26.634	dB
2:	97.416MHz	-6.490	dB
3:	89.500MHz	-6.013	dB
4:	78.500MHz	-0.181	dB
5:	108.500MHz	-0.360	dB
10:			

### CH2 MARKER LIST

1:	93.500MHz	-2.627	dB
2:	97.416MHz	-1.157	dB
3:	89.500MHz	-1.575	dB
4:	78.500MHz	-4.591	dB
5:	108.500MHz	-37.034	dB
10:			