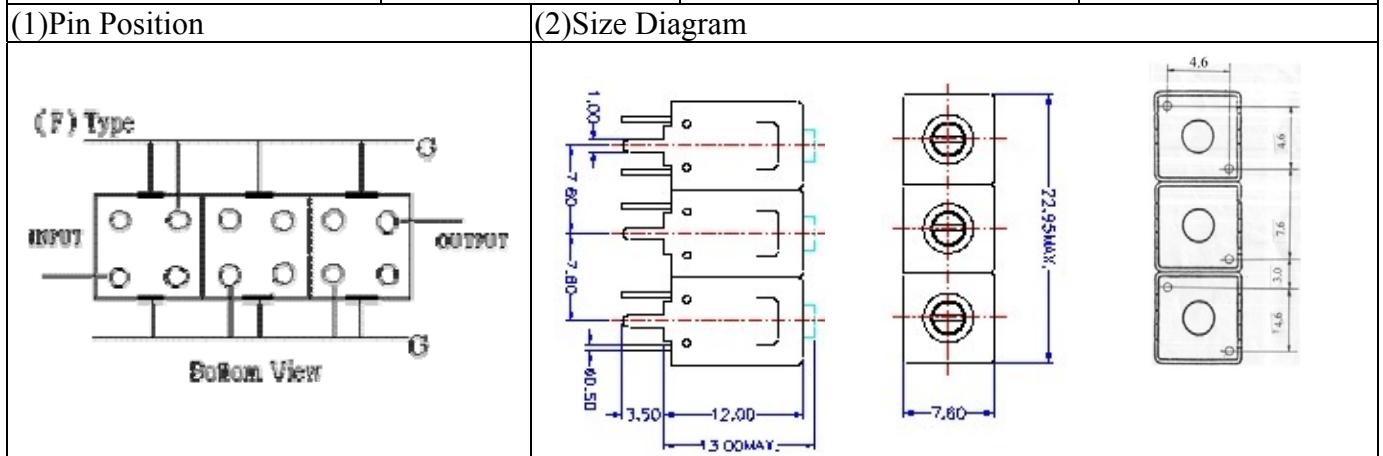


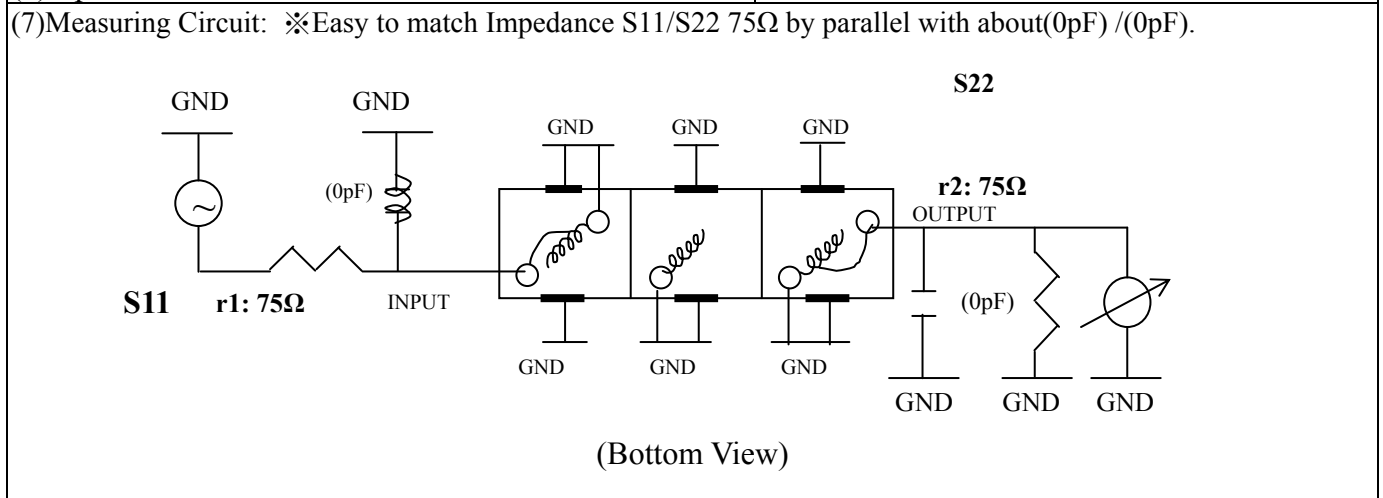
VHF UHF Helical Filter Specification Sheet

Customer Name		Temwell's Part No.	TTL6310F-199.25M
Approval No. /dated	0611035APR	Acceptable Specify Fo Range	196~220 MHz
Work Instruction No.	0611035DC	Date	Nov.21.2006



(3) Electric Characteristic			
Item		Specify	Performance
Center Freq.(Fo) +/- 0.5 %		199.25 MHz	199.25 MHz
Tunable Range		199.25±2 MHz	199.25±2 MHz
Insertion Loss		Typ. 4.0 dB	3.10 dB
-3 dB Bandwidth		Typ. 6 MHz	7.2 MHz
Sensitivity (Attenuation)	Fo - 10 MHz	Typ. 26 dB	29 dB
	Fo + 10 MHz	Typ. 21 dB	24 dB
	Fo - ()MHz	Typ. dB	dB
	Fo + ()MHz	Typ. dB	dB
Return Loss		Min. 12 dB	23.4 dB
Ripple		< 1 dB	dB
Impedance		In / Out : 75 Ω	In / Out : 75 Ω
(4) Torque for Tuning Screw		> 100gf · cm	

(5) Temperature Condition:	
Operating Temperature	-0°C ~ +60°C
Storage Temperature	-20°C ~ +70°C
(6) Input Power	> 1 Watt



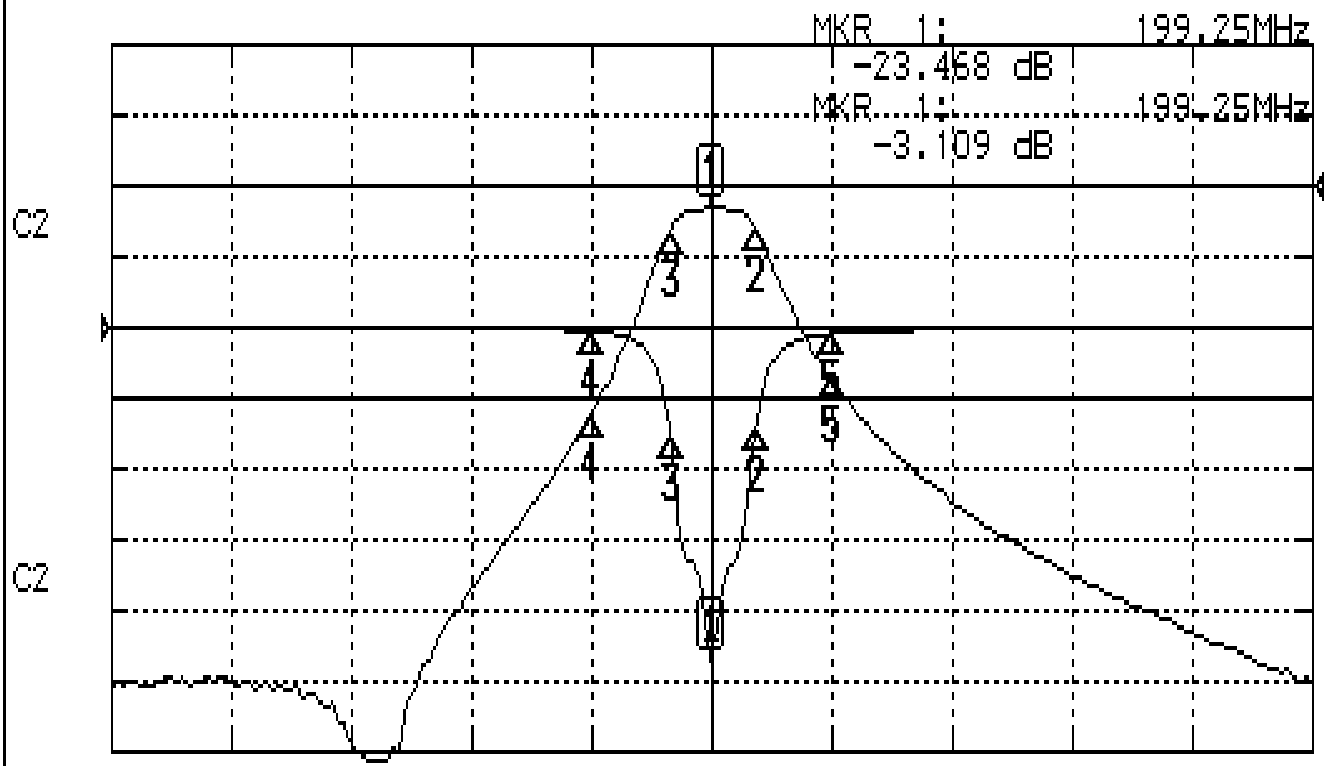
Approval	Supervisor	Designer	Aperture size
C.Y.Chang	C.S.Chang	W.W.Wang	7H3(4*5.5)F 7H024LB4

TEMWELL CORPORATION

Performance-TTL6310F-199.25M

0611035DC

CH1 S11 LOG MAG REF 0.000 dB 5.000 dB/
CH2 S21 LOG MAG REF 0.000 dB 10.000 dB/



CENTER 199.25MHz [10.00 dBm] SPAN 100MHz

CH1 MARKER LIST

1:	199.250MHz	-23.456 dB
2:	203.000MHz	-7.107 dB
3:	195.833MHz	-7.761 dB
4:	189.250MHz	-0.251 dB
5:	209.250MHz	-0.406 dB

CH2 MARKER LIST

1:	199.250MHz	-3.109 dB
2:	203.000MHz	-6.038 dB
3:	195.833MHz	-6.106 dB
4:	189.250MHz	-32.201 dB
5:	209.250MHz	-27.326 dB