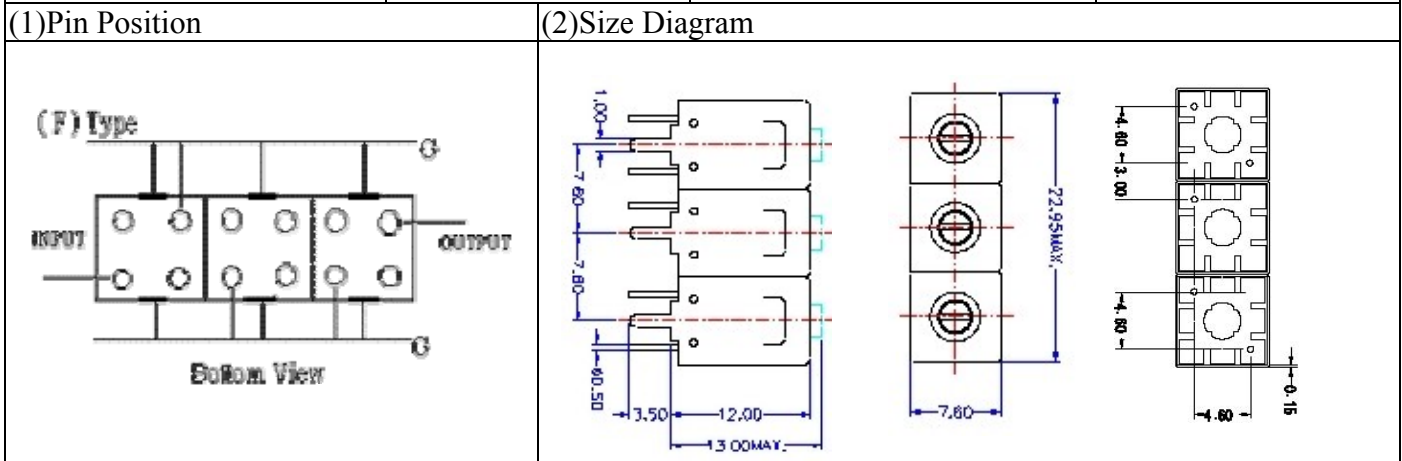


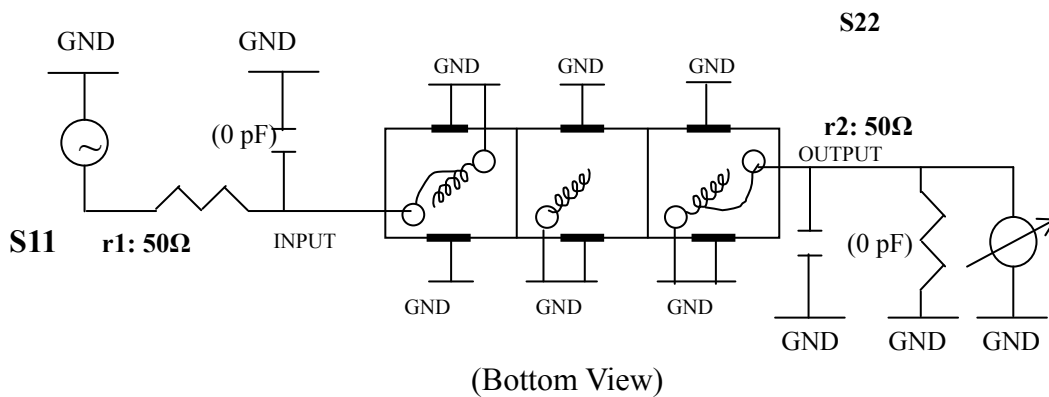
VHF UHF Helical Filter Specification Sheet

Customer Name		Temwell's Part No.	TTL63110F-122.5M
Approval No. /dated	0701031APR	Acceptable Specify Fo Range.	108~125M
Work Instruction No.	0701031DC	Date	Feb.05.2007



Item		Specify	Performance
Center Freq.(Fo) +/- 0.5 %		122.5 MHz	122.5 MHz
Tunable Range:		122.5±2 MHz	122.5±2 MHz
Insertion Loss		Typ. 4.0 dB	3.02 dB
-3 dB Bandwidth		Typ. 7 MHz	8.9 MHz
Sensitivity (Attenuation)	Fo - 15 MHz	Typ. 38 dB	41 dB
	Fo + 15 MHz	Typ. 33 dB	36 dB
	Fo - ()MHz	Typ. dB	dB
	Fo +()MHz	Typ. dB	dB
Return Loss		Min. 12 dB	17.4 dB
Ripple		< 1 dB	dB
Impedance		In / Out : 75 Ω	In / Out : 75 Ω
(4) Torque for Tuning Screw		> 100gf · cm	
(5) Temperature Condition:			
Operating Temperature		0°C ~ +60°C	
Storage Temperature		-20°C ~ +70°C	
(6) Input Power		> 1Watt	

(7) Measuring Circuit: ※Easy to match Impedance S11/S22 75Ω by parallel with about(0 pF) / (0 pF).



Approval	Supervisor	Designer	Aperture size
C.Y.Chang	C.S.Chang	J.F.Lin	7H3(4*5.5F) 7H00LB4/7H00LB6

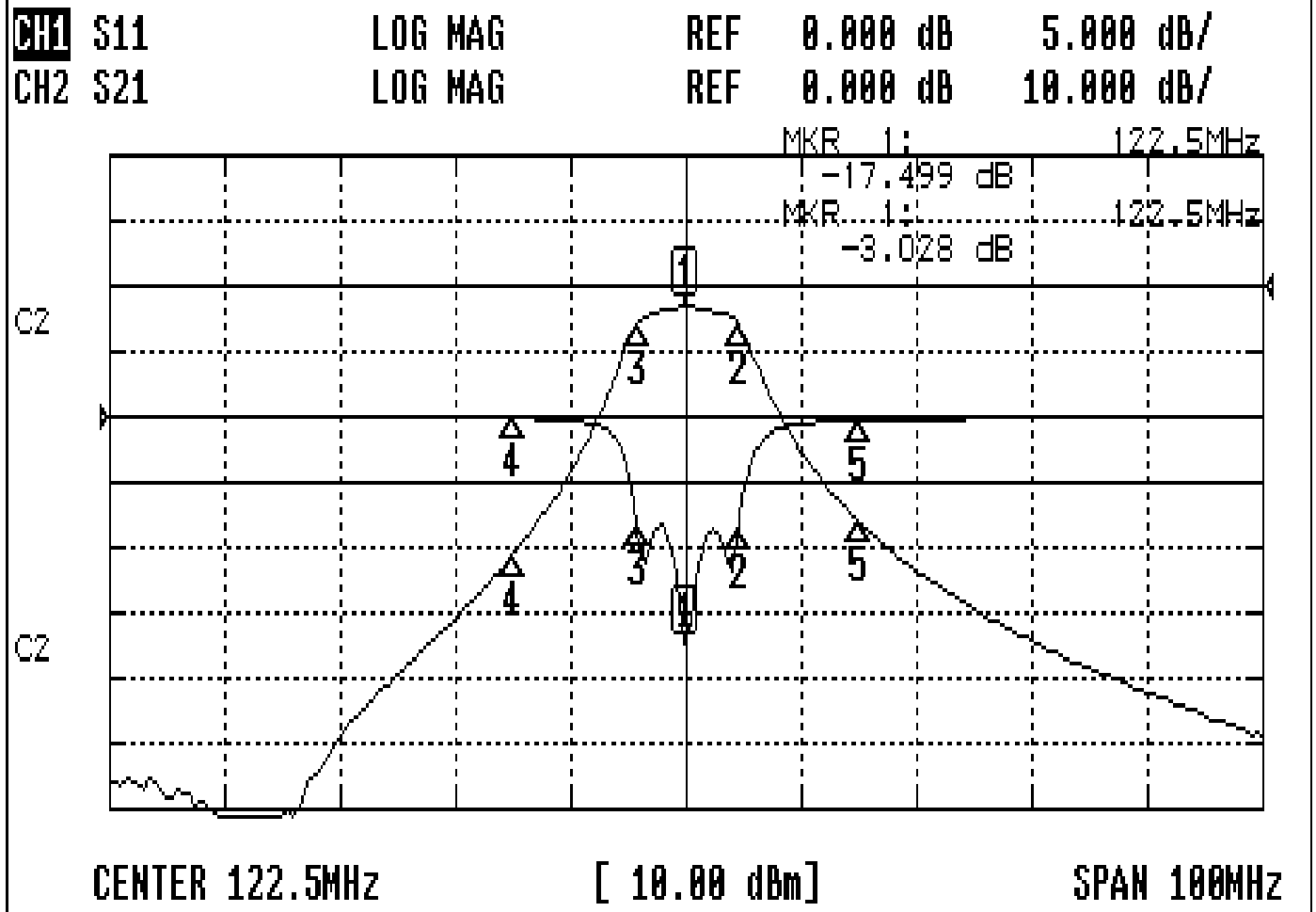
TEMWELL CORPORATION

TEMWELL

Form10-7H3F Vision D RP(J.F.Lin)

Performance-TTL63110F-122.5M

0701031DC



CH1 MARKER LIST

Marker	Frequency (MHz)	Amplitude (dB)
1	122.500	-17.499
2	127.166	-10.451
3	118.250	-10.152
4	107.500	-10.119
5	137.500	-10.266

CH2 MARKER LIST

Marker	Frequency (MHz)	Amplitude (dB)
1	122.500	-3.028
2	127.166	-11.720
3	118.250	-11.970
4	107.500	-14.165
5	137.500	-15.970