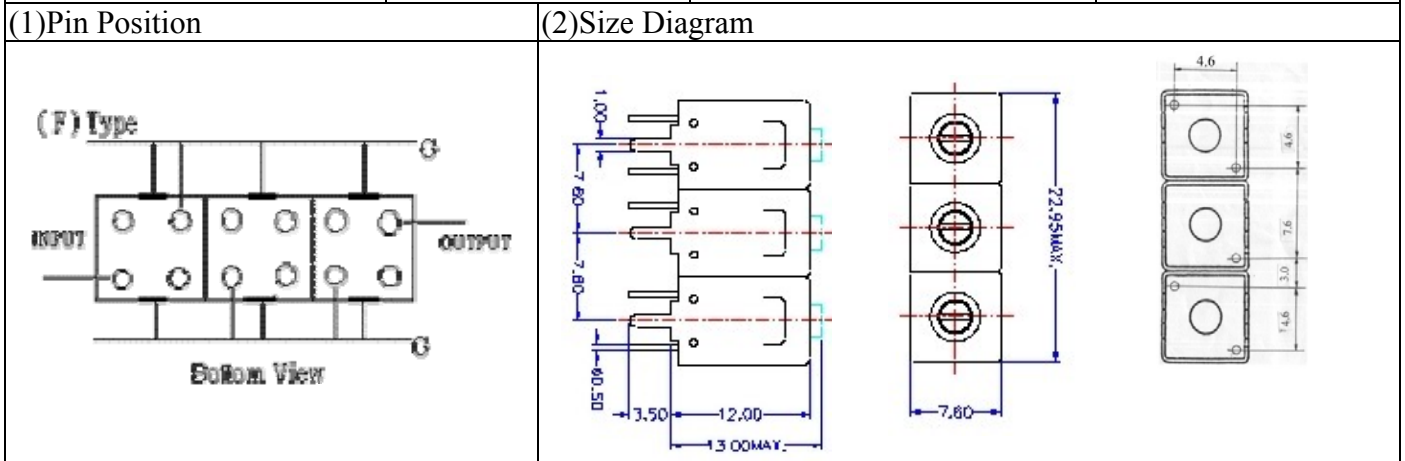


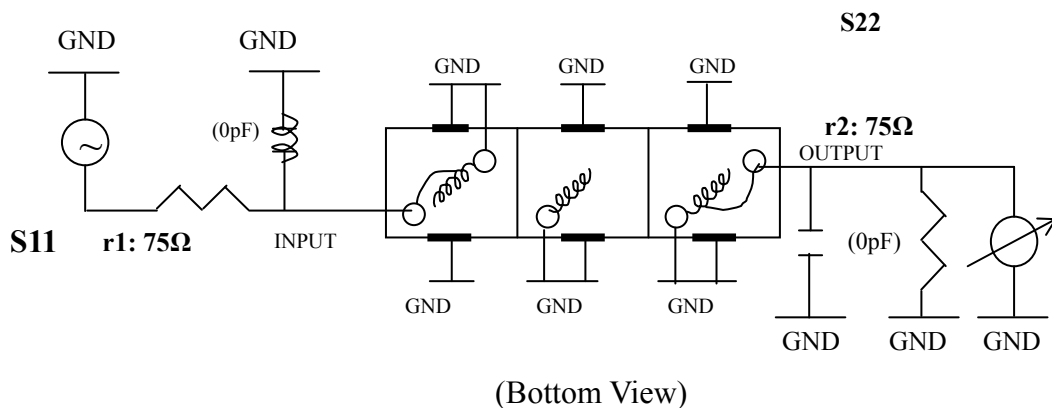
# VHF UHF Helical Filter Specification Sheet

Customer Name		Temwell's Part No.	TTL63111F-129.5M
Approval No. /dated	0701032APR	Acceptable Specify Fo Range	126~145 MHz
Work Instruction No.	0701032DC	Date	Jan.15.2006



(3) Electric Characteristic			
Item		Specify	Performance
Center Freq.(Fo) +/- 0.5 %		129.5 MHz	129.5 MHz
Tunable Range		129.5±2 MHz	129.5±2 MHz
Insertion Loss		Typ. 4.5 dB	3.53 dB
-3 dB Bandwidth		Typ. 6.5 MHz	7.5 MHz
Sensitivity (Attenuation)	Fo - 10 MHz	Typ. 27 dB	30 dB
	Fo + 10 MHz	Typ. 24 dB	27 dB
	Fo - ( )MHz	Typ. dB	dB
	Fo +( )MHz	Typ. dB	dB
Return Loss		Min. 12 dB	20.2 dB
Ripple		< 1 dB	dB
Impedance		In / Out : 75 Ω	In / Out : 75 Ω
(4) Torque for Tuning Screw		> 100gf · cm	
(5) Temperature Condition:			
Operating Temperature		-0°C ~ +60°C	
Storage Temperature		-20°C ~ +70°C	
(6) Input Power		> 1Watt	

(7) Measuring Circuit: ※Easy to match Impedance S11/S22 75Ω by parallel with about(0pF)/(0pF).



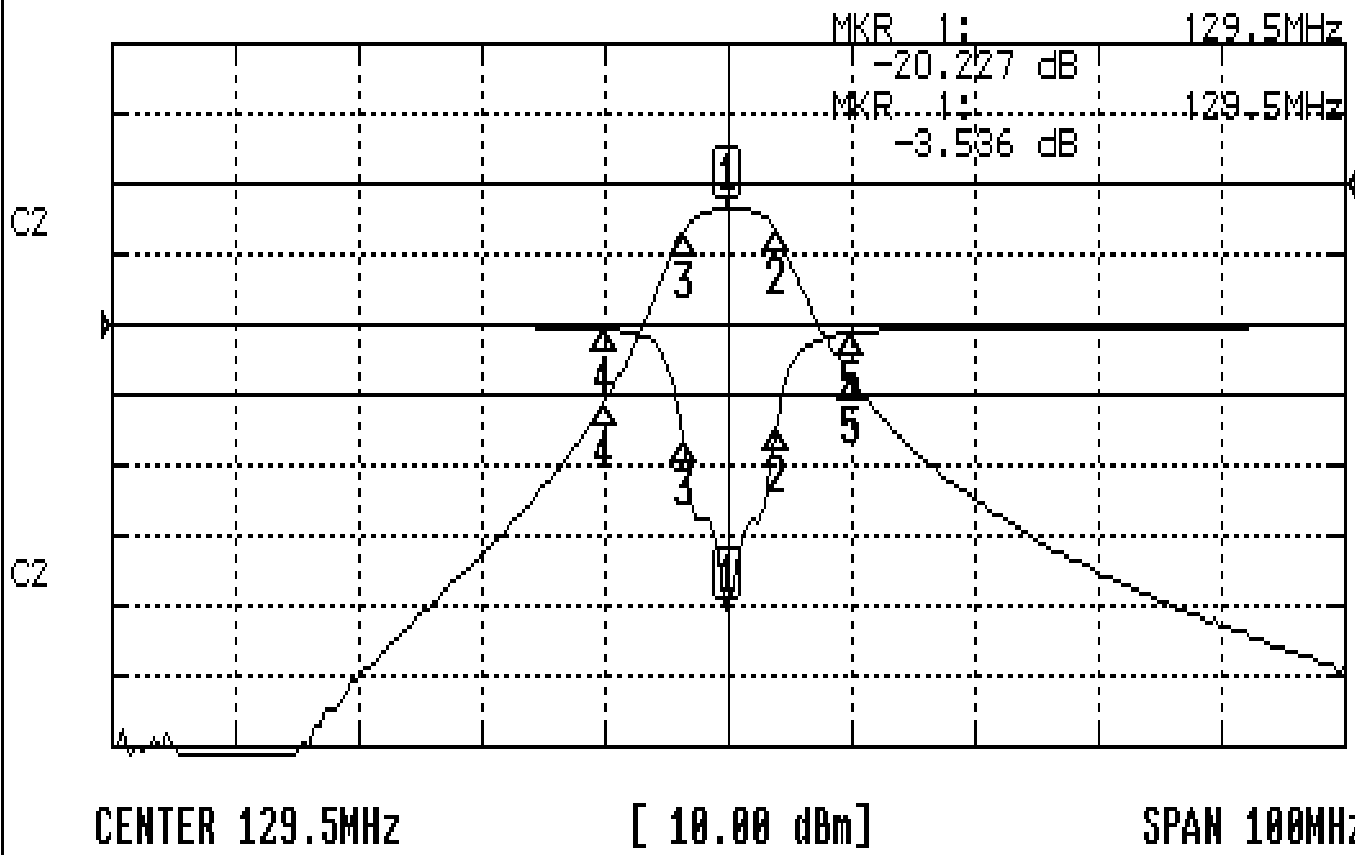
Approval	Supervisor	Designer	Aperture size
C.Y.Chang	C.S.Chang	W.W.Wang	7H3(4*4.65)F 7H00LB4/7H00LB6

TEMWELL CORPORATION

# Performance-TTL63111F-129.5M

## 0701032DC

**CH1** S11                      LOG MAG                      REF    0.000 dB            5.000 dB/  
**CH2** S21                      LOG MAG                      REF    0.000 dB            10.000 dB/



### CH1 MARKER LIST

1:	129.500MHz	-20.227	dB
2:	133.416MHz	-7.359	dB
3:	125.916MHz	-8.282	dB
4:	119.500MHz	-0.320	dB
5:	139.500MHz	-0.589	dB

### CH2 MARKER LIST

1:	129.500MHz	-3.536	dB
2:	133.416MHz	-11.900	dB
3:	125.916MHz	-11.400	dB
4:	119.500MHz	-30.900	dB
5:	139.500MHz	-27.588	dB