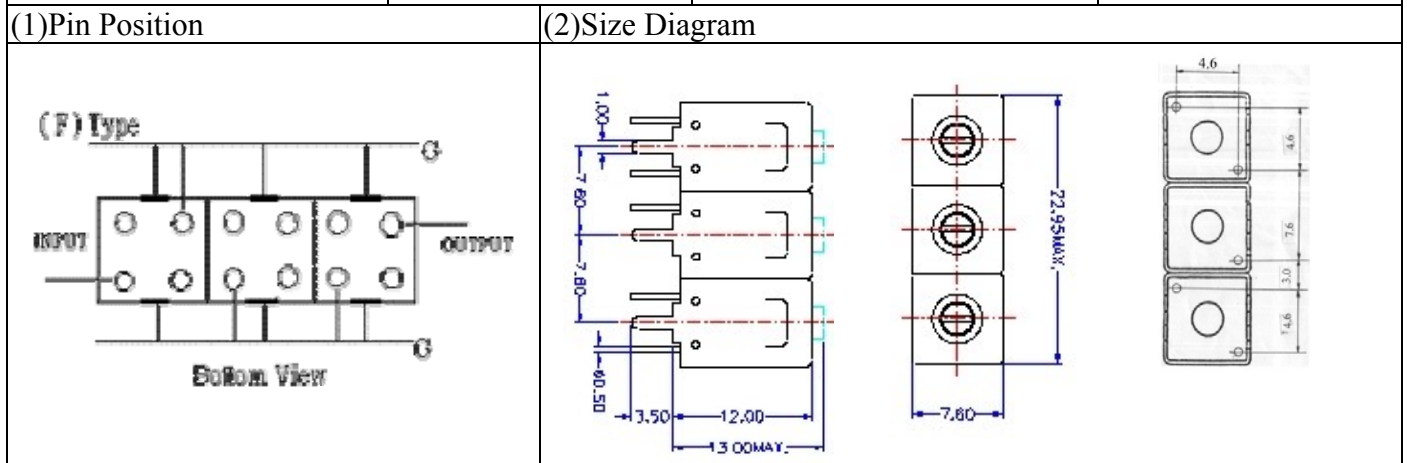


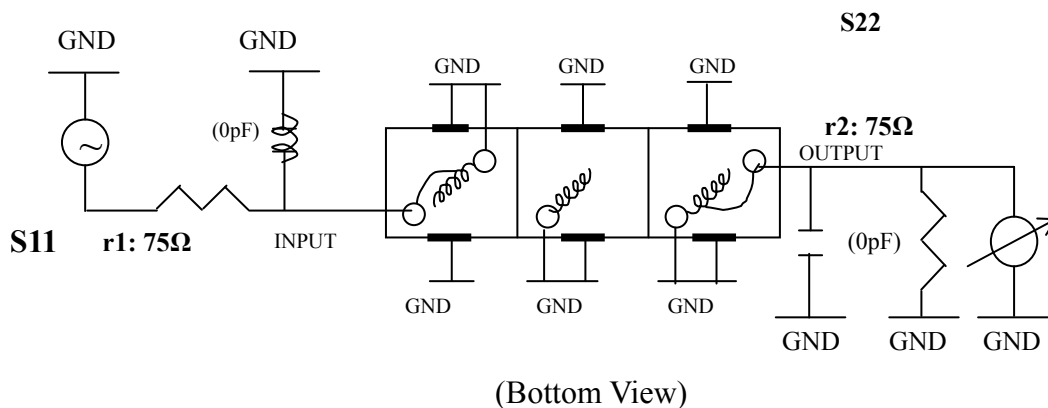
# VHF UHF Helical Filter Specification Sheet

Customer Name		Temwell's Part No.	TTL63112F-136.5M
Approval No. /dated	0701033APR	Acceptable Specify Fo Range	126~145 MHz
Work Instruction No.	0701033DC	Date	Jan.15.2006



(3) Electric Character			
Item	Specify	Performance	
Center Freq.(Fo) +/- 0.5 %	136.5 MHz	136.5 MHz	
Tunable Range	136.5±2 MHz	136.5±2 MHz	
Insertion Loss	Typ. 4.5 dB	3.50 dB	
-3 dB Bandwidth	Typ. 6 MHz	7.6 MHz	
Sensitivity (Attenuation)	Fo - 10 MHz	Typ. 26 dB	29 dB
	Fo + 10 MHz	Typ. 23 dB	26 dB
	Fo - ( )MHz	Typ. dB	dB
	Fo +( )MHz	Typ. dB	dB
Return Loss	Min. 12 dB	22.2 dB	
Ripple	< 1 dB	dB	
Impedance	In / Out : 75 Ω	In / Out : 75 Ω	
(4) Torque for Tuning Screw	> 100gf · cm		
(5) Temperature Condition:			
Operating Temperature	-0°C ~ +60°C		
Storage Temperature	-20°C ~ +70°C		
(6) Input Power	> 1Watt		

(7) Measuring Circuit: ※Easy to match Impedance S11/S22 75Ω by parallel with about(0pF)/(0pF).



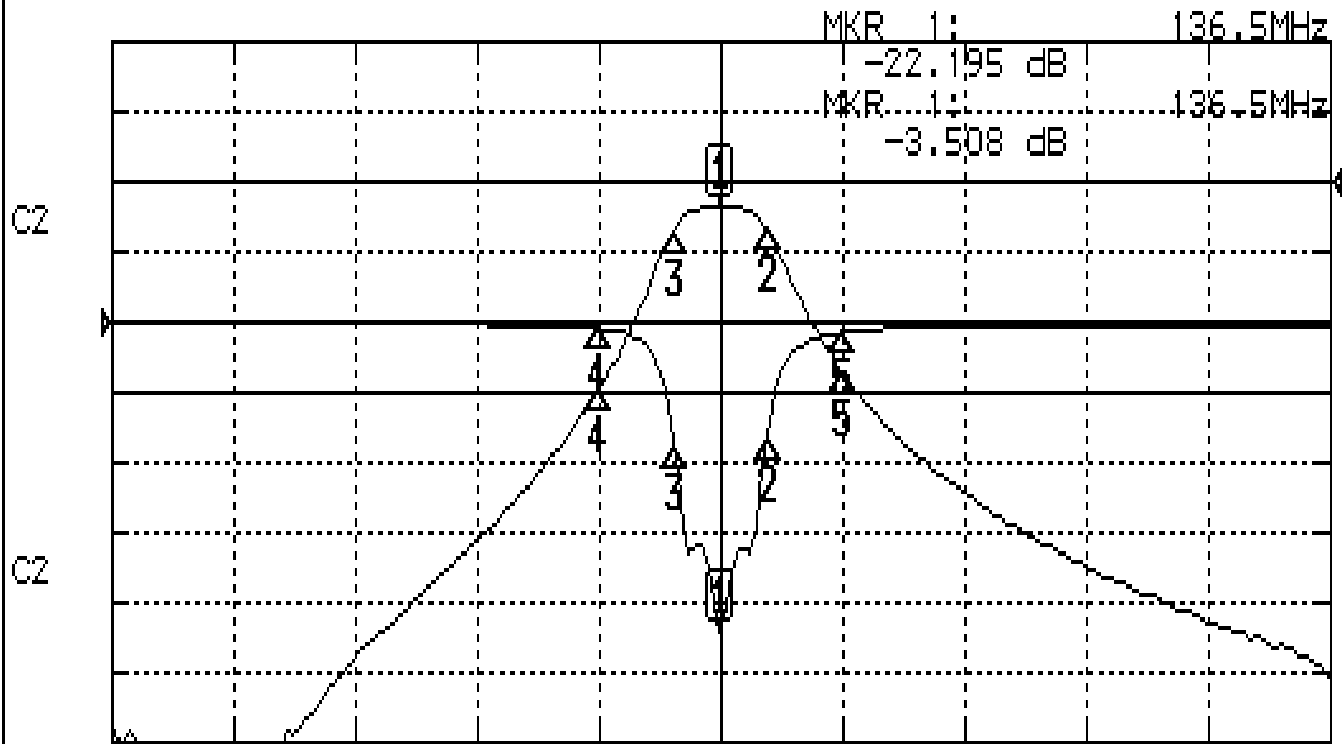
Approval	Supervisor	Designer	Aperture size
C.Y.Chang	C.S.Chang	W.W.Wang	7H3(4*4.65)F 7H00LB4/7H00LB6

TEMWELL CORPORATION

# Performance-TTL63112F-136.5M

## 0701033DC

CH1 S11 LOG MAG REF 0.000 dB 5.000 dB/  
 CH2 S21 LOG MAG REF 0.000 dB 10.000 dB/



CENTER 136.5MHz

[ 10.00 dBm ]

SPAN 100MHz

### CH1 MARKER LIST

1	136.500MHz	-22.225	dB
2	140.333MHz	-10.276	dB
3	132.750MHz	-10.776	dB
4	126.500MHz	-10.417	dB
5	146.500MHz	-10.682	dB

### CH2 MARKER LIST

1	136.500MHz	-3.508	dB
2	140.333MHz	-16.479	dB
3	132.750MHz	-16.651	dB
4	126.500MHz	-20.682	dB
5	146.500MHz	-26.980	dB