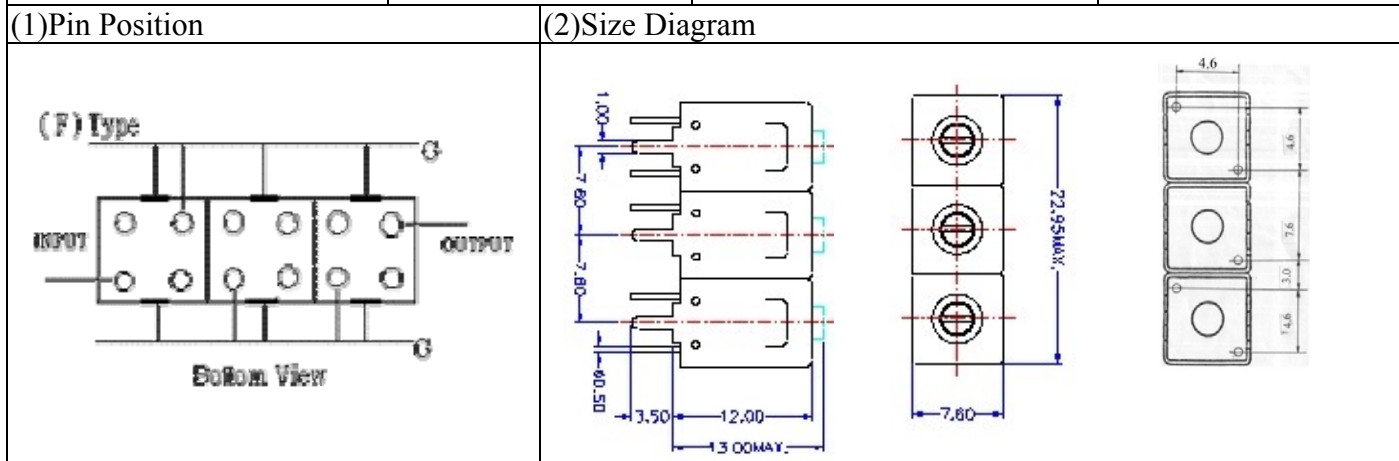


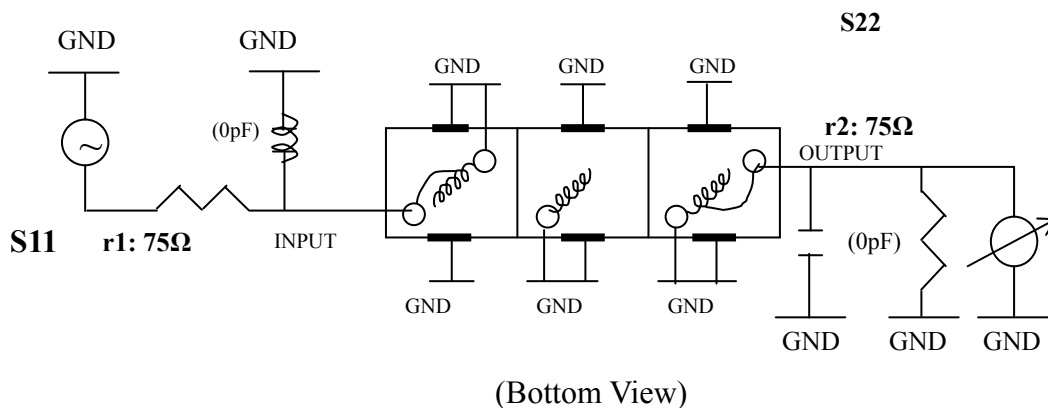
# VHF UHF Helical Filter Specification Sheet

Customer Name		Temwell's Part No.	TTL63114F-150.5M
Approval No. /dated	0701035APR	Acceptable Specify Fo Range	146~165 MHz
Work Instruction No.	0701035DC	Date	Jan.15.2006



(3) Electric Characteristic		Item	Specify	Performance
Center Freq.(Fo) +/- 0.5 %			150.5 MHz	150.5 MHz
Tunable Range			150.5±2 MHz	150.5±2 MHz
Insertion Loss			Typ. 5.0 dB	4.21 dB
-3 dB Bandwidth			Typ. 6 MHz	7.8 MHz
Sensitivity (Attenuation)	Fo - 10 MHz	Typ. 28 dB		31 dB
	Fo + 10 MHz	Typ. 22 dB		25 dB
	Fo - ( )MHz	Typ. dB		dB
	Fo +( )MHz	Typ. dB		dB
Return Loss		Min. 12 dB		23.6 dB
Ripple		< 1 dB		dB
Impedance		In / Out : 75 Ω		In / Out : 75 Ω
(4) Torque for Tuning Screw			> 100gf · cm	
(5) Temperature Condition:				
Operating Temperature			-0°C ~ +60°C	
Storage Temperature			-20°C ~ +70°C	
(6) Input Power			> 1Watt	

(7) Measuring Circuit: ※Easy to match Impedance S11/S22 75Ω by parallel with about(0pF)/(0pF).



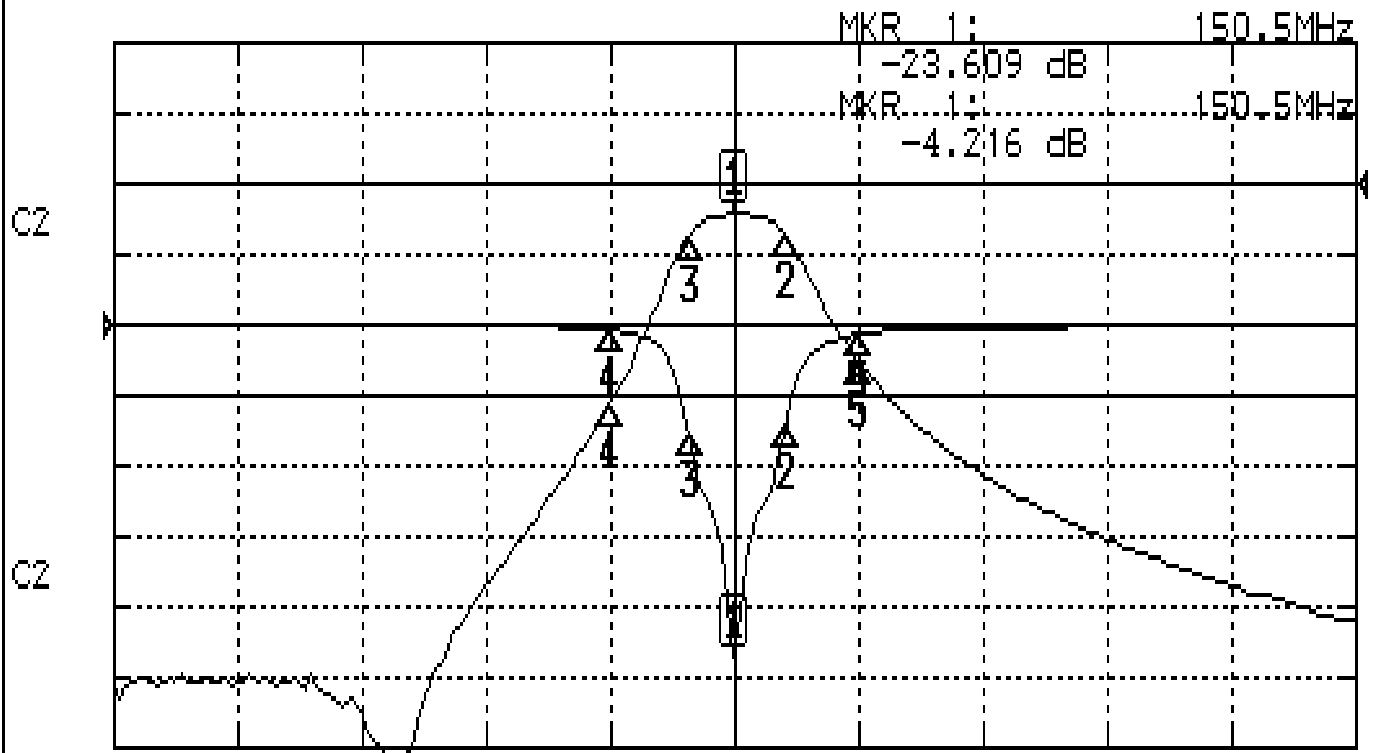
Approval	Supervisor	Designer	Aperture size
C.Y.Chang	C.S.Chang	W.W.Wang	7H3(4*5.5)F 7H00LB4

TEMWELL CORPORATION

# Performance-TTL63114F-150.5M

## 0701035DC

CH1 S11 LOG MAG REF 0.000 dB 5.000 dB/  
CH2 S21 LOG MAG REF 0.000 dB 10.000 dB/



CENTER 150.5MHz

[ 10.00 dBm ]

SPAN 100MHz

### CH1 MARKER LIST

1:	150.500MHz	-23.609	dB
2:	154.666MHz	-6.899	dB
3:	146.833MHz	-7.771	dB
4:	140.500MHz	-0.345	dB
5:	160.500MHz	-0.624	dB

### CH2 MARKER LIST

1:	150.500MHz	-4.210	dB
2:	154.666MHz	-7.299	dB
3:	146.833MHz	-7.366	dB
4:	140.500MHz	-10.239	dB
5:	160.500MHz	-25.051	dB