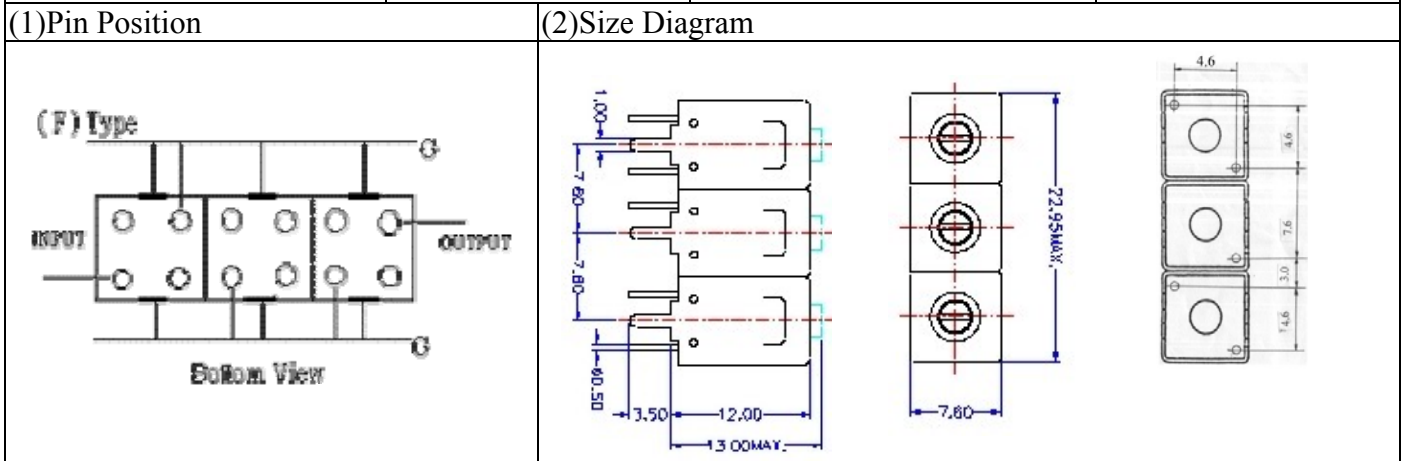


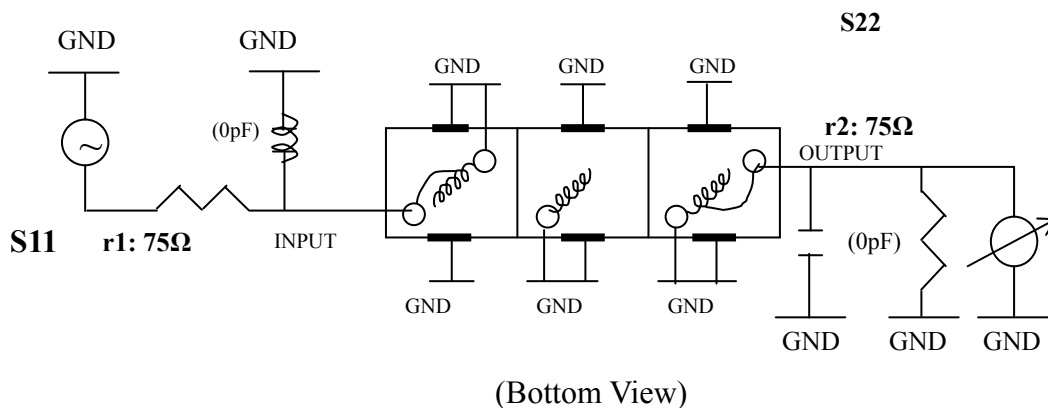
VHF UHF Helical Filter Specification Sheet

Customer Name		Temwell's Part No.	TTL63115F-157.5M
Approval No. /dated	0701036APR	Acceptable Specify Fo Range	146~165 MHz
Work Instruction No.	0701036DC	Date	Jan.15.2006



Item		Specify	Performance
Center Freq.(Fo) +/- 0.5 %		157.5 MHz	157.5 MHz
Tunable Range		157.5±2 MHz	157.5±2 MHz
Insertion Loss		Typ. 4.5 dB	3.28 dB
-3 dB Bandwidth		Typ. 6 MHz	7.6 MHz
Sensitivity (Attenuation)	Fo - 10 MHz	Typ. 28 dB	31 dB
	Fo + 10 MHz	Typ. 23 dB	26 dB
	Fo - ()MHz	Typ. dB	dB
	Fo +()MHz	Typ. dB	dB
Return Loss		Min. 12 dB	19.1 dB
Ripple		< 1 dB	dB
Impedance		In / Out : 75 Ω	In / Out : 75 Ω
(4) Torque for Tuning Screw		> 100gf · cm	
(5) Temperature Condition:			
Operating Temperature		-0°C ~ +60°C	
Storage Temperature		-20°C ~ +70°C	
(6) Input Power		> 1Watt	

(7) Measuring Circuit: ※Easy to match Impedance S11/S22 75Ω by parallel with about(0pF)/(0pF).



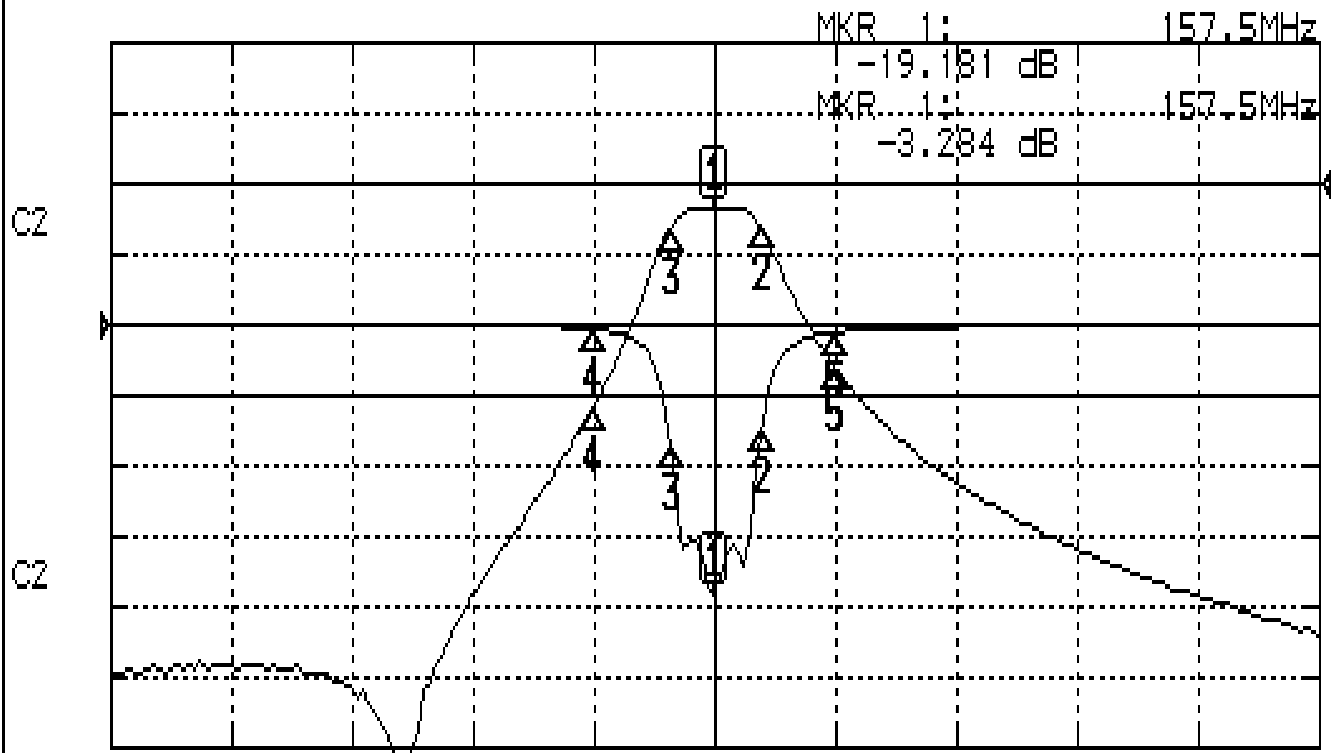
Approval	Supervisor	Designer	Aperture size
C.Y.Chang	C.S.Chang	W.W.Wang	7H3(4*5.5)F 7H00LB4

TEMWELL CORPORATION

Performance-TTL63115F-157.5M

0701036DC

CH1 S11 LOG MAG REF 0.000 dB 5.000 dB/
CH2 S21 LOG MAG REF 0.000 dB 10.000 dB/



CENTER 157.5MHz

[10.00 dBm]

SPAN 100MHz

CH1 MARKER LIST

1:	157.500MHz	-19.181	dB
2:	161.416MHz	-7.284	dB
3:	153.833MHz	-8.442	dB
4:	147.500MHz	-0.288	dB
5:	167.500MHz	-0.501	dB

CH2 MARKER LIST

1:	157.500MHz	-3.284	dB
2:	161.416MHz	-6.222	dB
3:	153.833MHz	-6.277	dB
4:	147.500MHz	-31.563	dB
5:	167.500MHz	-26.024	dB