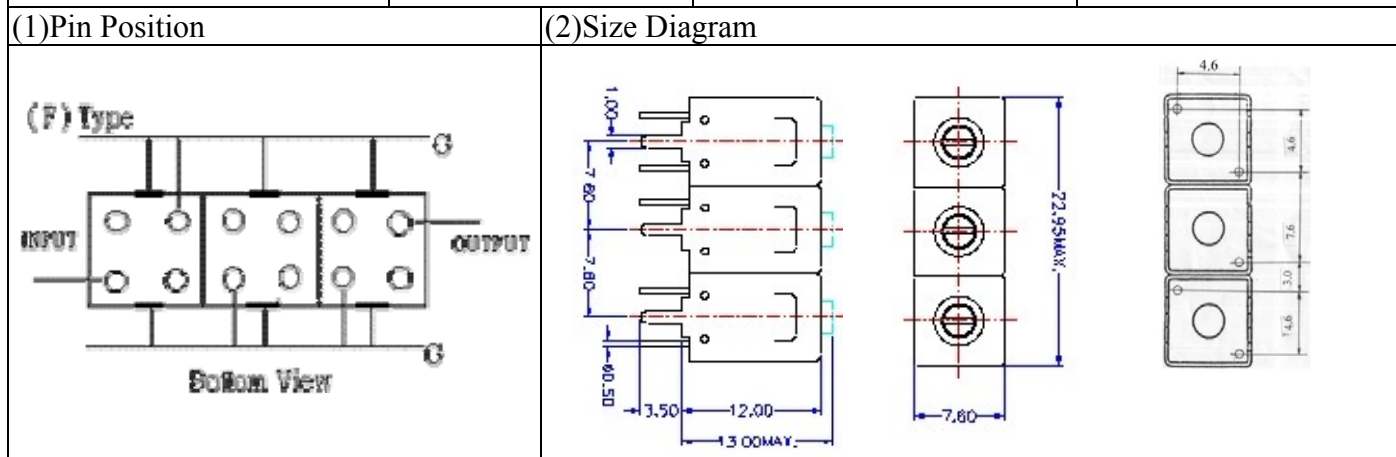


# VHF UHF Helical Filter Specification Sheet

Customer Name		Temwell's Part No.	TTL63118F-178.5M
Approval No. /dated	0701037APR	Acceptable Specify Fo Range	146~165 MHz
Work Instruction No.	0701037DC	Date	Jan.15.2006



(3) Electric Characteristic

Item	Specify	Performance
Center Freq.(Fo) +/- 0.5 %	178.5 MHz	178.5 MHz
Tunable Range	178.5±2 MHz	178.5±2 MHz
Insertion Loss	Typ. 4.0 dB	3.26 dB
-3 dB Bandwidth	Typ. 7 MHz	8 MHz
Sensitivity (Attenuation)	Fo - 10 MHz	Typ. 22 dB
	Fo + 10 MHz	Typ. 17 dB
	Fo - ( )MHz	Typ. dB
	Fo + ( )MHz	Typ. dB
Return Loss	Min. 12 dB	31.3 dB
Ripple	< 1 dB	
Impedance	In / Out : 75 Ω	In / Out : 75 Ω

(4) Torque for Tuning Screw

> 100gf · cm

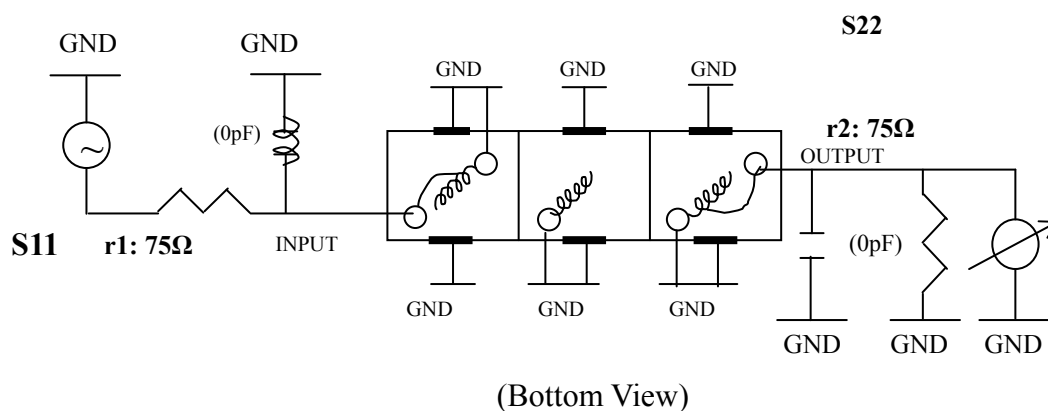
(5) Temperature Condition:

Operating Temperature	-0°C ~ +60°C
Storage Temperature	-20°C ~ +70°C

(6) Input Power

> 1 Watt

(7) Measuring Circuit: ※Easy to match Impedance S11/S22 75Ω by parallel with about(0pF) /(0pF).



Approval	Supervisor	Designer	Aperture size
C.Y.Chang	C.S.Chang	W.W.Wang	7H3(4*5.5)F 7H00LB4

TEMWELL CORPORATION

TEMWELL

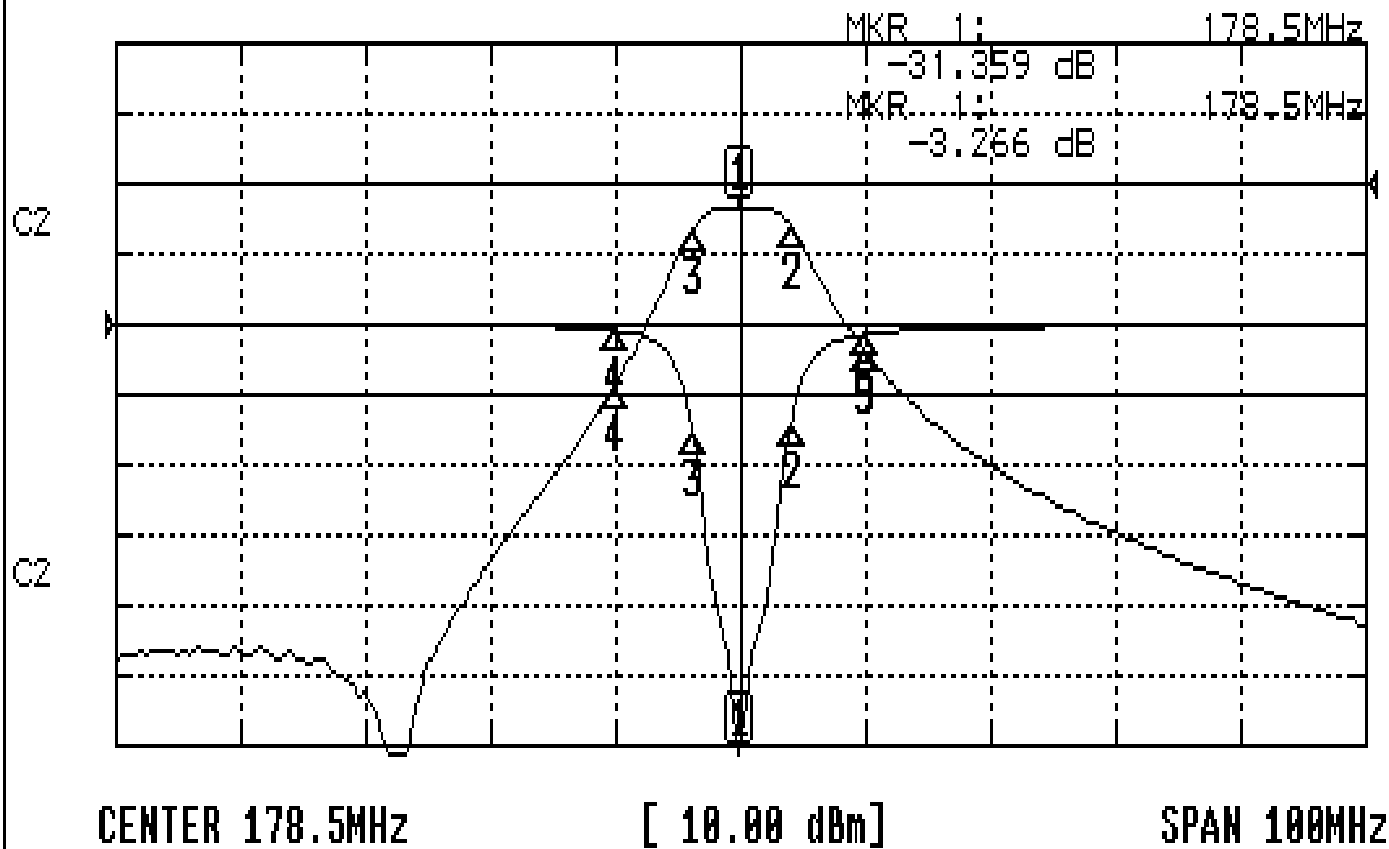
Form10-7H3F Vision D

RP W.W.Wang

# Performance-TTL63118F-178.5M

## 0701039DC

CH1 S11 LOG MAG REF 0.000 dB 5.000 dB/  
CH2 S21 LOG MAG REF 0.000 dB 10.000 dB/



### CH1 MARKER LIST

1:	178.500MHz	-31.359 dB
2:	182.583MHz	-7.034 dB
3:	174.750MHz	-7.827 dB
4:	168.500MHz	-0.391 dB
5:	188.500MHz	-0.682 dB

### CH2 MARKER LIST

1:	178.500MHz	-3.266 dB
2:	182.583MHz	-6.208 dB
3:	174.750MHz	-6.314 dB
4:	168.500MHz	-28.654 dB
5:	188.500MHz	-23.739 dB