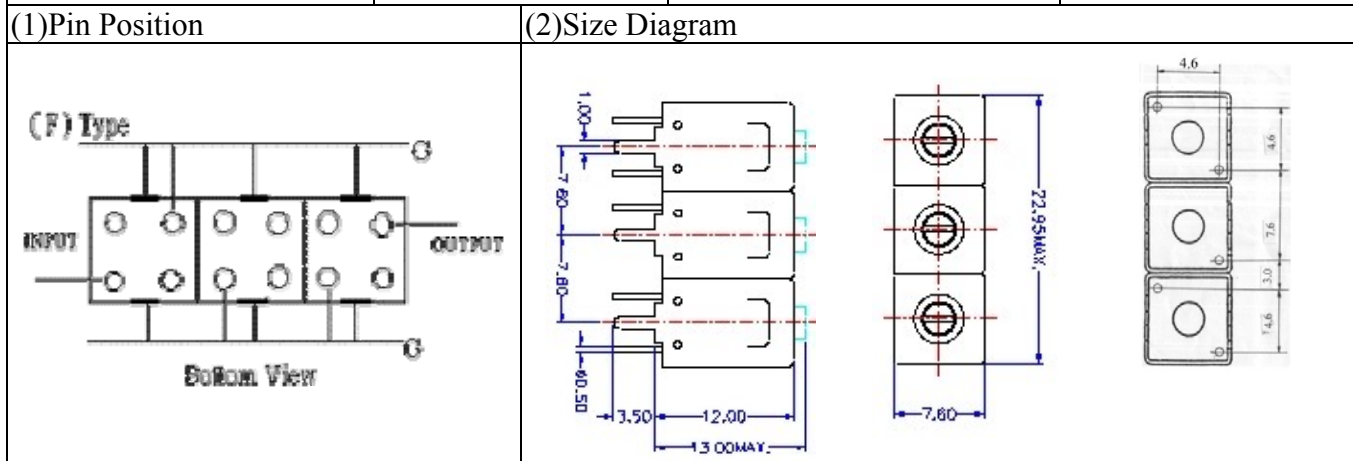


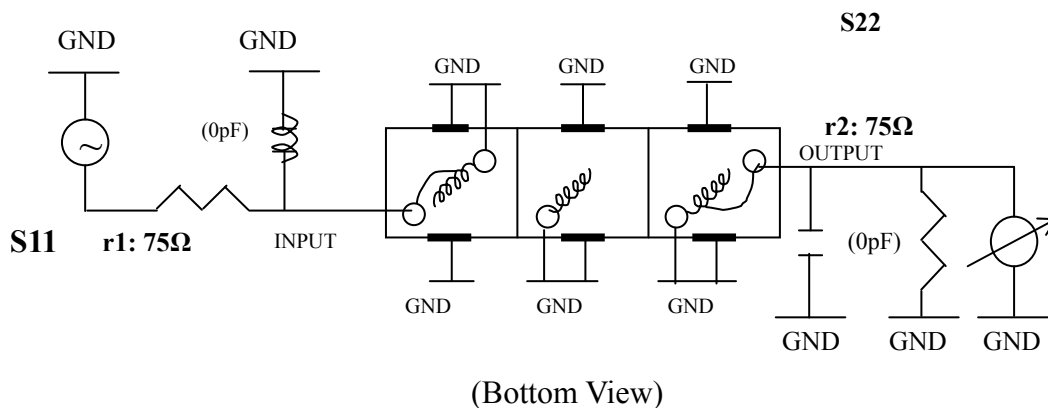
VHF UHF Helical Filter Specification Sheet

Customer Name		Temwell's Part No.	TTL6311F-205.25M
Approval No. /dated	0611036APR	Acceptable Specify Fo Range	196~220 MHz
Work Instruction No.	0611036DC	Date	Nov.21.2006



(3) Electric Character			
Item		Specify	Performance
Center Freq.(Fo) +/- 0.5 %		205.25 MHz	205.25 MHz
Tunable Range		205.25±4 MHz	205.25±4 MHz
Insertion Loss		Typ. 4.0 dB	2.83 dB
-3 dB Bandwidth		Typ. 6 MHz	7.7 MHz
Sensitivity (Attenuation)	Fo - 10 MHz	Typ. 24 dB	27 dB
	Fo + 10 MHz	Typ. 22 dB	25 dB
	Fo - ()MHz	Typ. dB	dB
	Fo +()MHz	Typ. dB	dB
Return Loss		Min. 12 dB	21.1 dB
Ripple		< 1 dB	dB
Impedance		In / Out : 75 Ω	In / Out : 75 Ω
(4) Torque for Tuning Screw		> 100gf · cm	
(5) Temperature Condition:			
Operating Temperature		0°C ~ +60°C	
Storage Temperature		-20°C ~ +70°C	
(6) Input Power		> 1Watt	

(7) Measuring Circuit: ※Easy to match Impedance S11/S22 75Ω by parallel with about(0pF)/(0pF).



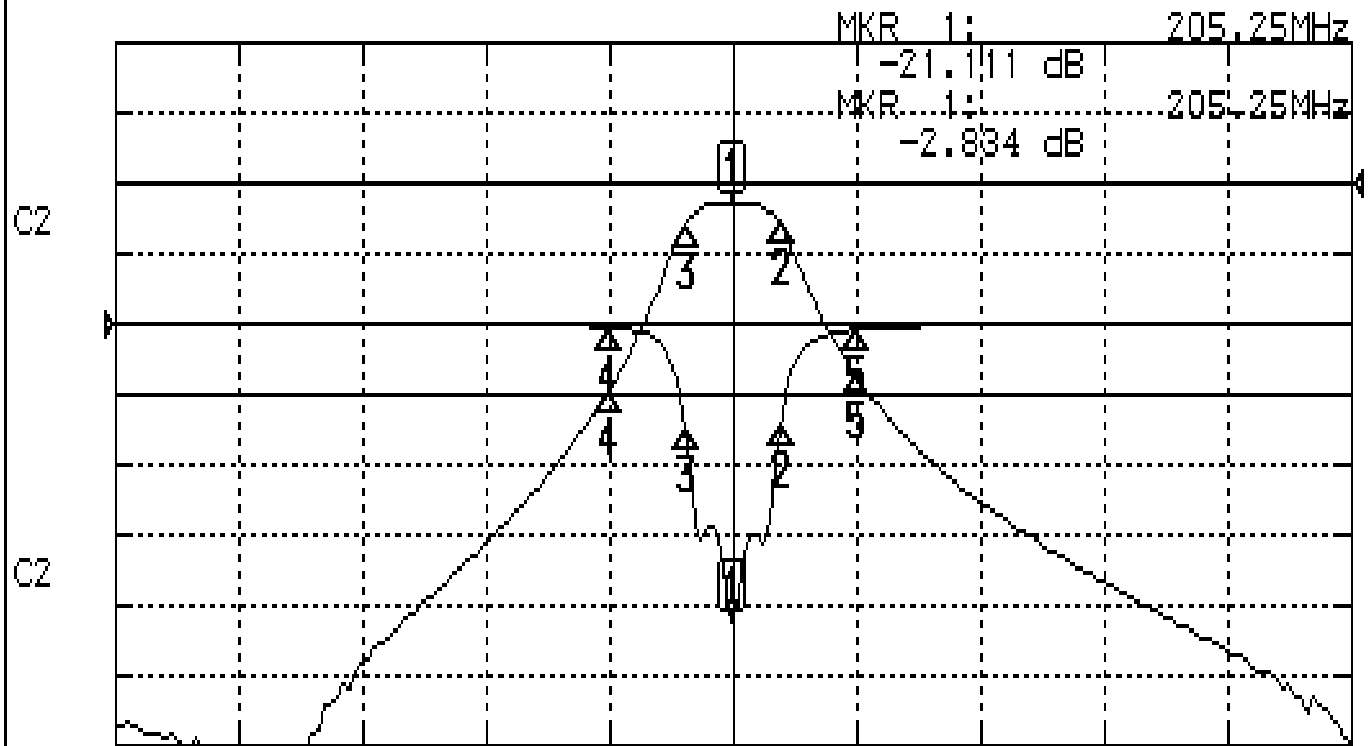
Approval	Supervisor	Designer	Aperture size
C.Y.Chang	C.S.Chang	W.W.Wang	7H3(4*5.5)F 7H024LB4

TEMWELL CORPORATION

Performance-TTL6311F-205.25M

0611036DC

CH1 S11 LOG MAG REF 0.000 dB 5.000 dB/
CH2 S21 LOG MAG REF 0.000 dB 10.000 dB/



CENTER 205.25MHz

[10.00 dBm]

SPAN 100MHz

CH1 MARKER LIST

Marker	Frequency (MHz)	Magnitude (dB)
1	205.250	-21.111
2	209.166	-7.013
3	201.416	-7.329
4	195.250	-0.244
5	215.250	-0.369

CH2 MARKER LIST

Marker	Frequency (MHz)	Magnitude (dB)
1	205.250	-2.834
2	209.166	-11.866
3	201.416	-11.901
4	195.250	-29.552
5	215.250	-27.300