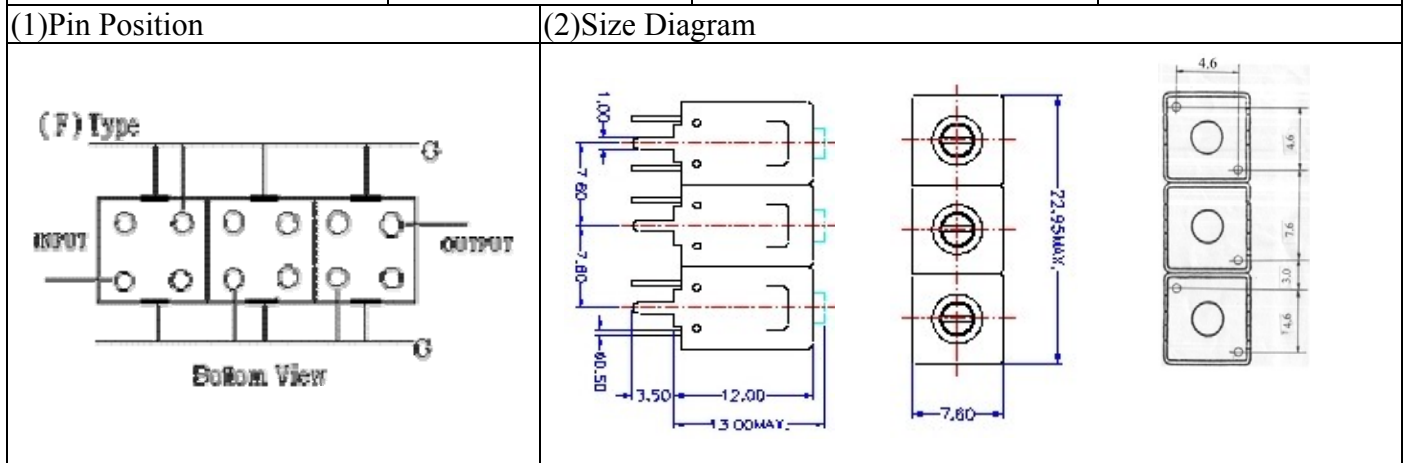


VHF UHF Helical Filter Specification Sheet

Customer Name		Temwell's Part No.	TTL63120F-192.5M
Approval No. /dated	0701041APR	Acceptable Specify Fo Range	166~195 MHz
Work Instruction No.	0701041DC	Date	Feb.12.2007



(3) Electric Characteristic

Item	Specify	Performance	
Center Freq.(Fo) +/- 0.5 %	192.5 MHz	192.5 MHz	
Tunable Range	192.5±2 MHz	192.5±2 MHz	
Insertion Loss	Typ. 3.5 dB	2.59 dB	
-3 dB Bandwidth	Typ. 7 MHz	7.7 MHz	
Sensitivity (Attenuation)	Fo - 15 MHz	Typ. 36 dB	39 dB
	Fo + 15 MHz	Typ. 29 dB	32 dB
	Fo - ()MHz	Typ. dB	dB
	Fo +()MHz	Typ. dB	dB
Return Loss	Min. 12 dB	26.7 dB	
Ripple	< 1 dB	dB	
Impedance	In / Out : 75 Ω	In / Out : 75 Ω	

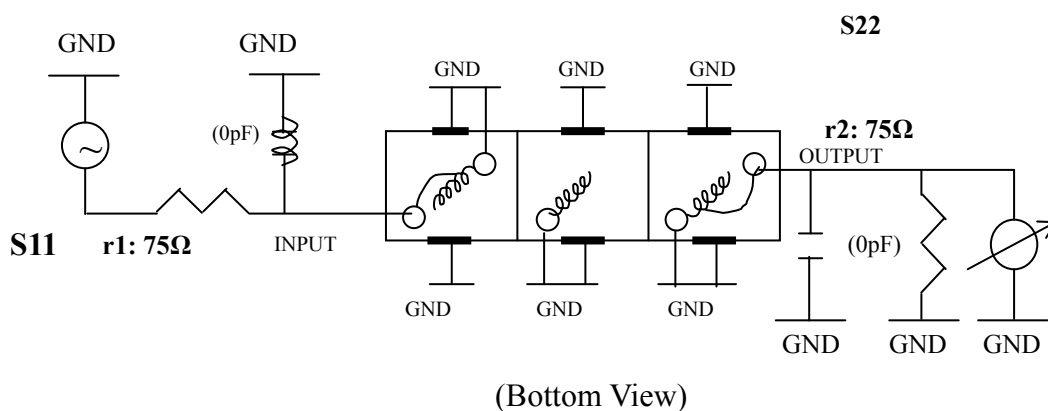
(4) Torque for Tuning Screw > 100gf · cm

(5) Temperature Condition:

Operating Temperature	-0°C ~ +60°C
Storage Temperature	-20°C ~ +70°C

(6) Input Power > 1Watt

(7) Measuring Circuit: ※Easy to match Impedance S11/S22 75Ω by parallel with about(0pF)/(0pF).

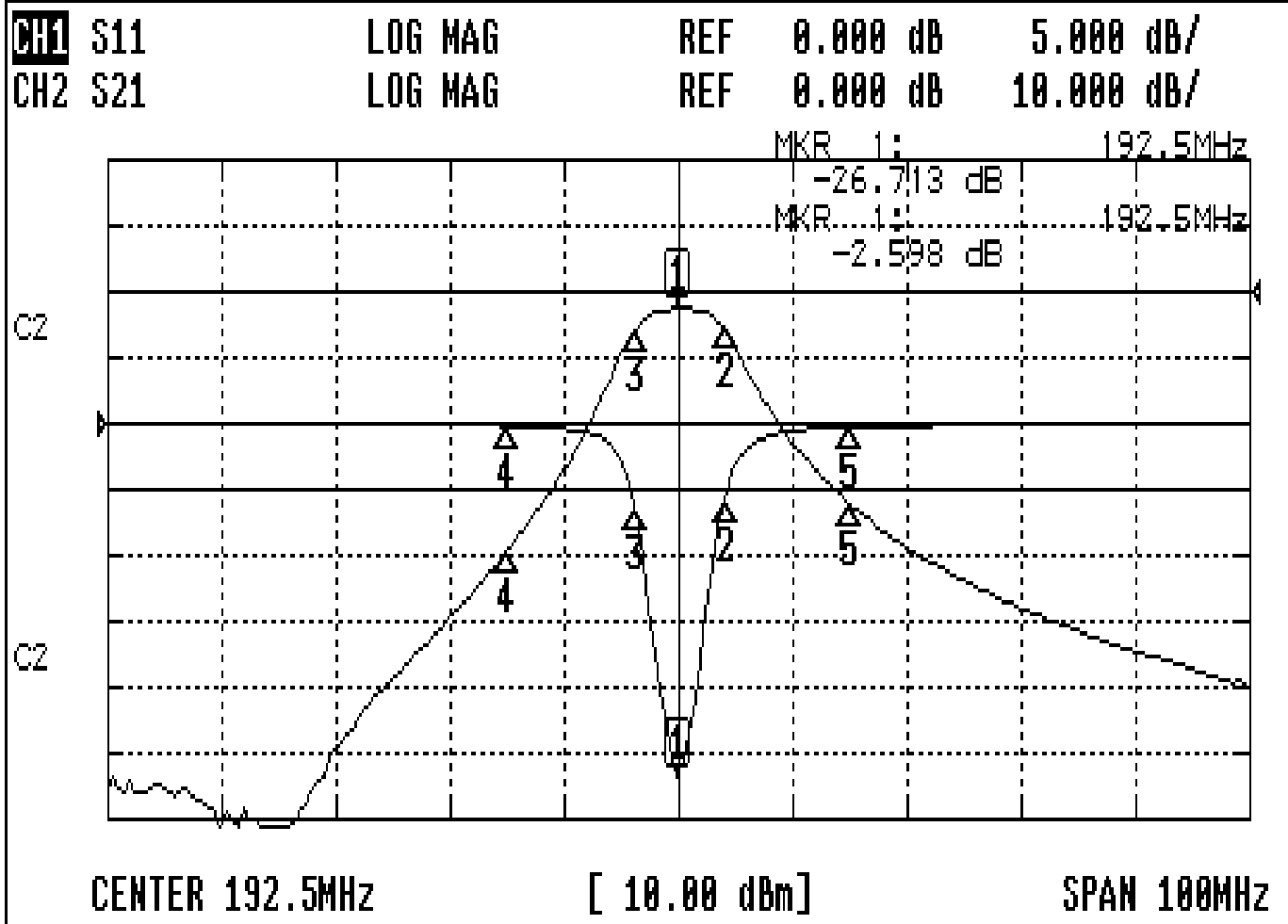


Approval	Supervisor	Designer	Aperture size
C.Y.Chang	C.S.Chang	P.H.Chiang	7H3(4*5.5)F 7H024LB4

TEMWELL CORPORATION

Performance-TTL63120F-192.5M

0701041DC



CH1 MARKER LIST

1	192.500MHz	-26.713	dB
2	196.500MHz	-2.598	dB
3	188.750MHz	-11.468	dB
4	177.500MHz	-10.163	dB
5	207.500MHz	-0.269	dB

CH2 MARKER LIST

1	192.500MHz	-2.598	dB
2	196.500MHz	-26.713	dB
3	188.750MHz	-11.468	dB
4	177.500MHz	-10.163	dB
5	207.500MHz	-0.269	dB