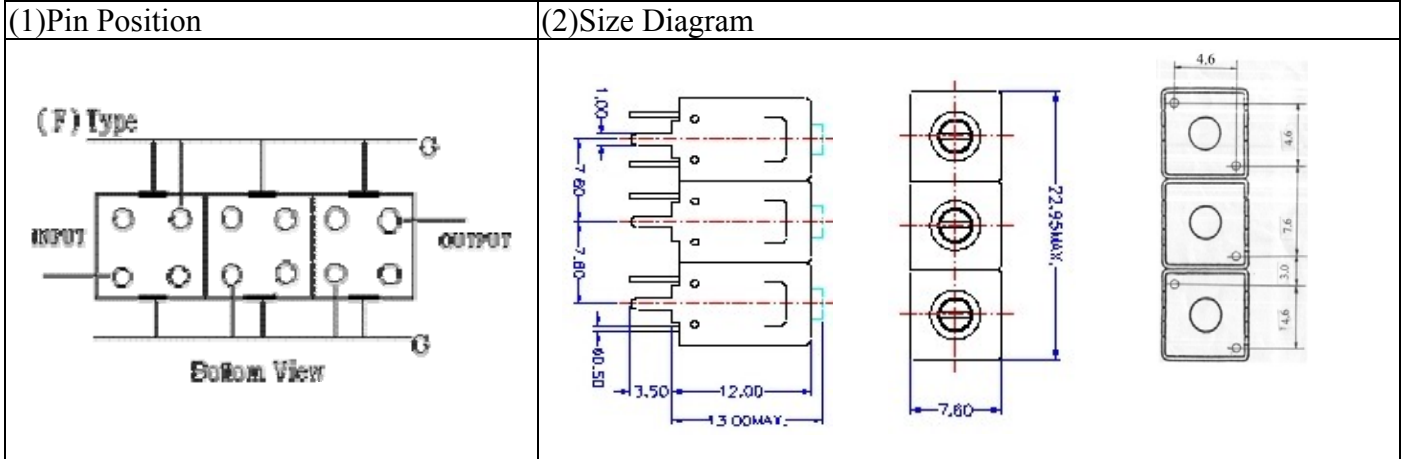


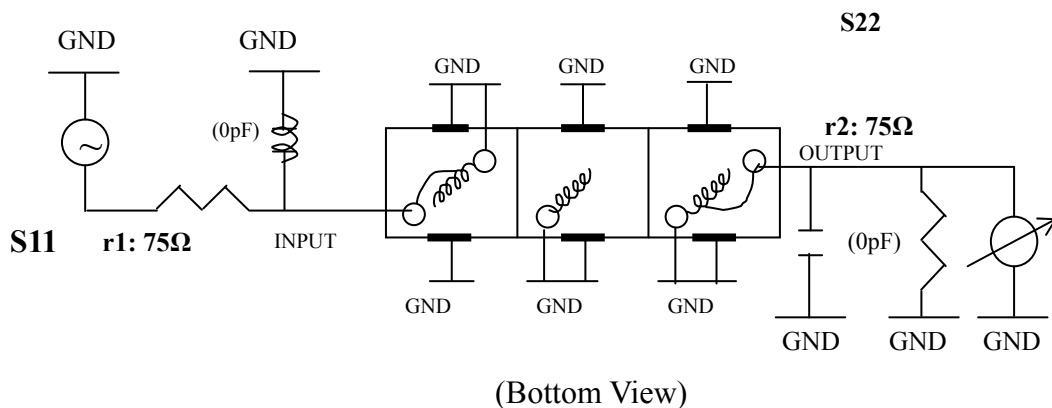
VHF UHF Helical Filter Specification Sheet

Customer Name		Temwell's Part No.	TTL63121F-199.5M
Approval No. /dated	0701042APR	Acceptable Specify Fo Range	196~220 MHz
Work Instruction No.	0701042DC	Date	Feb.12.2007



(3) Electric Characteristic			
Item	Specify	Performance	
Center Freq.(Fo) +/- 0.5 %	199.5 MHz	199.5 MHz	
Tunable Range	199.5±2 MHz	199.5±2 MHz	
Insertion Loss	Typ. 3.5 dB	2.62 dB	
-3 dB Bandwidth	Typ. 7 MHz	7.5 MHz	
Sensitivity (Attenuation)	Fo - 15 MHz	Typ. 35 dB	38 dB
	Fo + 15 MHz	Typ. 28 dB	31 dB
	Fo - ()MHz	Typ. dB	dB
	Fo +()MHz	Typ. dB	dB
Return Loss	Min. 12 dB	34.3 dB	
Ripple	< 1 dB	dB	
Impedance	In / Out : 75 Ω	In / Out : 75 Ω	
(4) Torque for Tuning Screw		> 100gf · cm	
(5) Temperature Condition:			
Operating Temperature		0°C ~ +60°C	
Storage Temperature		-20°C ~ +70°C	
(6) Input Power		> 1Watt	

(7) Measuring Circuit: ※Easy to match Impedance S11/S22 75Ω by parallel with about(0pF)/(0pF).



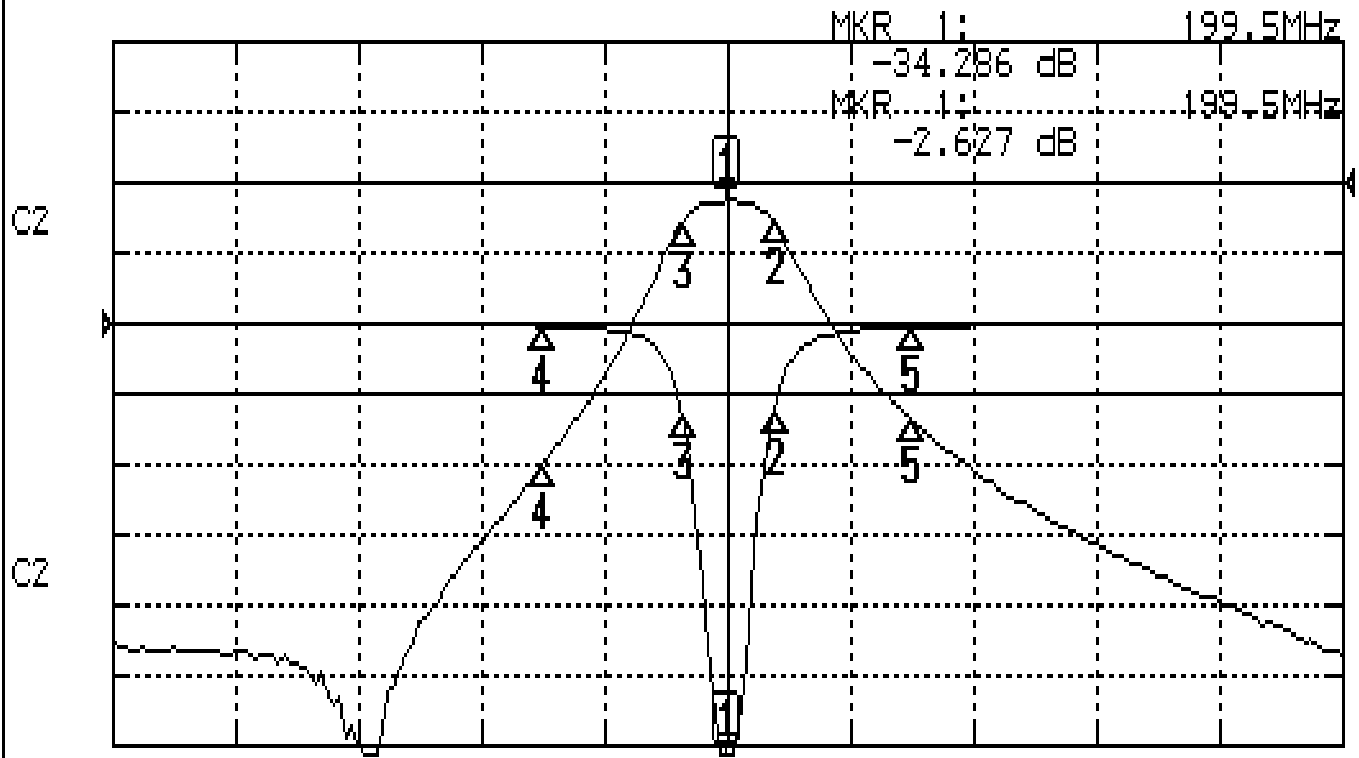
Approval	Supervisor	Designer	Aperture size
C.Y.Chang	C.S.Chang	P.H.Chiang	7H3(4*5.5)F 7H024LB4

TEMWELL CORPORATION

Performance-TTL63121F-199.5M

0701042DC

CH1 S11 LOG MAG REF 0.000 dB 5.000 dB/
CH2 S21 LOG MAG REF 0.000 dB 10.000 dB/



CENTER 199.5MHz

[10.00 dBm]

SPAN 100MHz

CH1 MARKER LIST

1:	199.500MHz	-34.360	dB
2:	203.333MHz	-6.116	dB
3:	195.000MHz	-6.518	dB
4:	184.500MHz	-0.163	dB
5:	214.500MHz	-0.241	dB

CH2 MARKER LIST

1:	199.500MHz	-2.627	dB
2:	203.333MHz	-1.117	dB
3:	195.000MHz	-1.726	dB
4:	184.500MHz	-40.160	dB
5:	214.500MHz	-33.703	dB