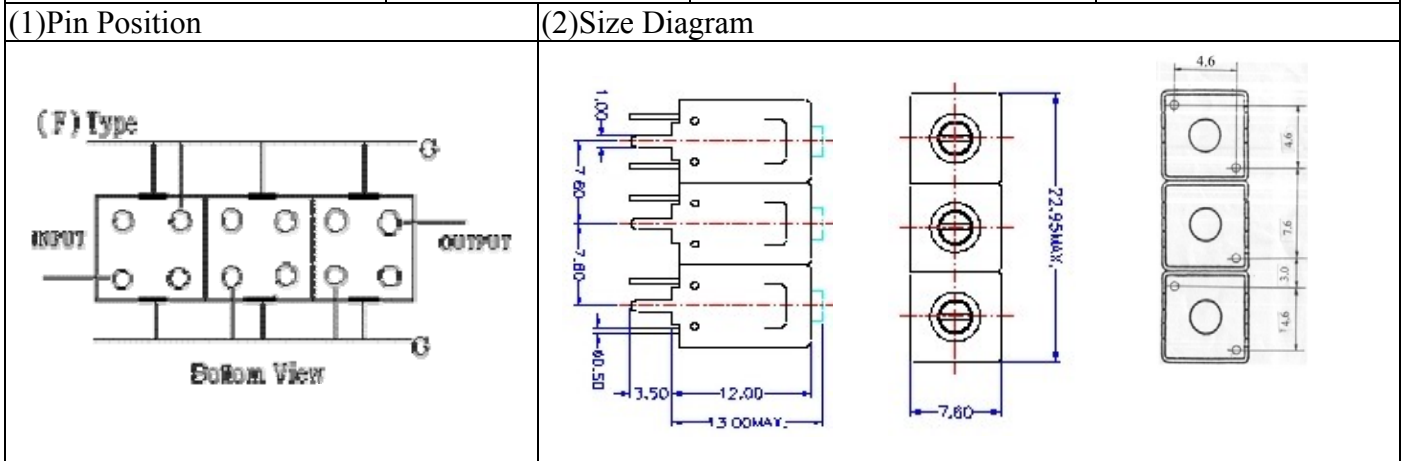


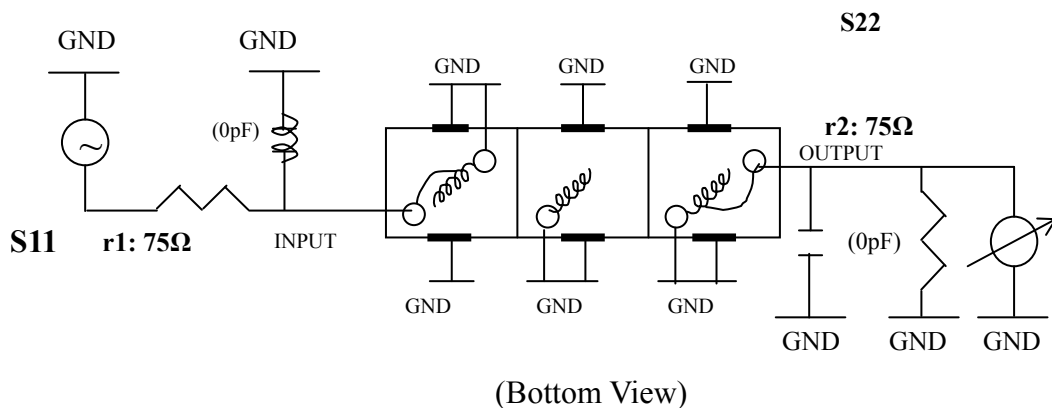
VHF UHF Helical Filter Specification Sheet

Customer Name		Temwell's Part No.	TTL63123F-213.5M
Approval No. /dated	0701044APR	Acceptable Specify Fo Range	196~220 MHz
Work Instruction No.	0701044DC	Date	Feb.12.2007



Item		Specify	Performance
Center Freq.(Fo) +/- 0.5 %		213.5 MHz	213.5 MHz
Tunable Range		213.5±4 MHz	213.5±4 MHz
Insertion Loss		Typ. 3.5 dB	2.59 dB
-3 dB Bandwidth		Typ. 7 MHz	8.3 MHz
Sensitivity (Attenuation)	Fo - 15 MHz	Typ. 33 dB	36 dB
	Fo + 15 MHz	Typ. 26 dB	29 dB
	Fo - ()MHz	Typ. dB	dB
	Fo +()MHz	Typ. dB	dB
Return Loss		Min. 12 dB	24.4 dB
Ripple		< 1 dB	dB
Impedance		In / Out : 75 Ω	In / Out : 75 Ω
(4) Torque for Tuning Screw		> 100gf · cm	
(5) Temperature Condition:			
Operating Temperature		-0°C ~ +60°C	
Storage Temperature		-20°C ~ +70°C	
(6) Input Power		> 1Watt	

(7) Measuring Circuit: ※Easy to match Impedance S11/S22 75Ω by parallel with about(0pF)/(0pF).



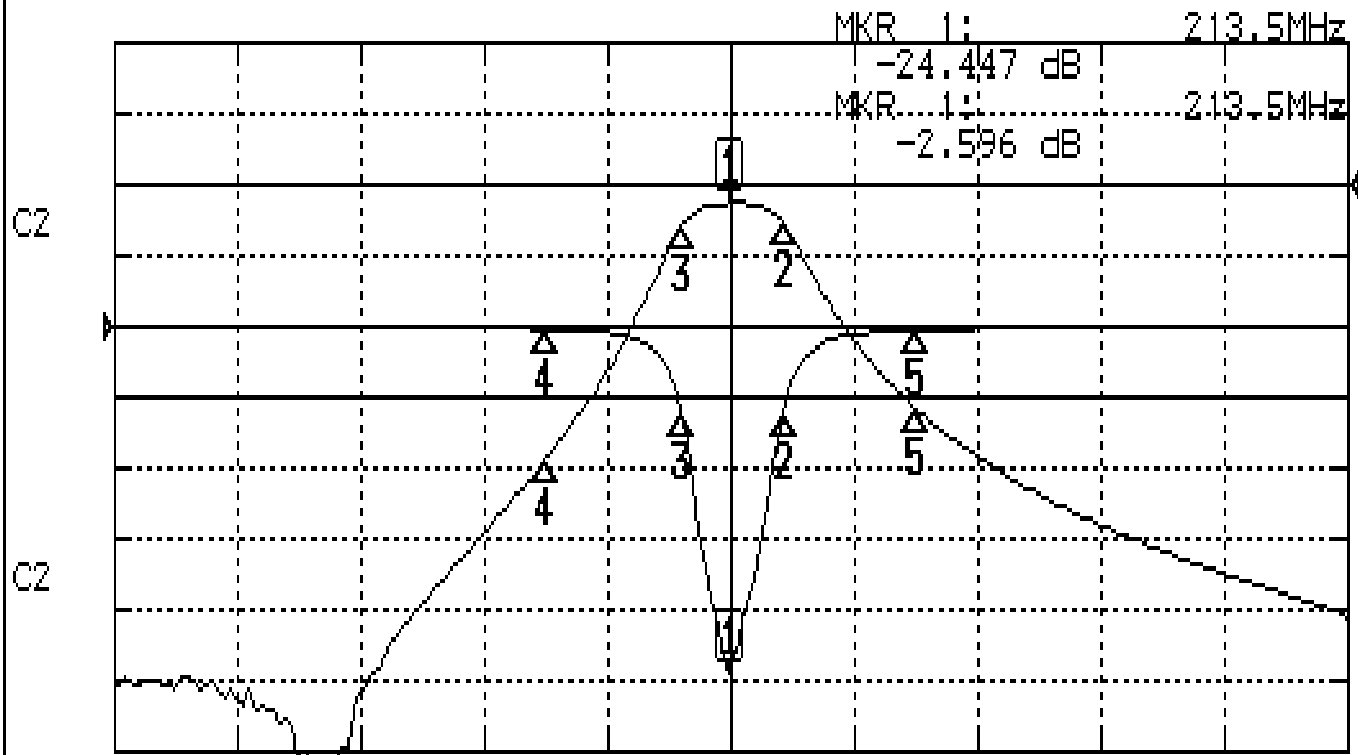
Approval	Supervisor	Designer	Aperture size
C.Y.Chang	C.S.Chang	P.H.Chiang	7H3(4*5.5)F 7H024LB4

TEMWELL CORPORATION

Performance-TTL63123F-213.5M

0701044DC

CH1 S11 LOG MAG REF 0.000 dB 5.000 dB/
CH2 S21 LOG MAG REF 0.000 dB 10.000 dB/



CENTER 213.5MHz

[10.00 dBm]

SPAN 100MHz

CH1 MARKER LIST

1:	213.5000MHz	-24.447	dB
2:	217.6833MHz	-15.937	dB
3:	209.5883MHz	-10.356	dB
4:	198.5000MHz	-0.169	dB
5:	228.5000MHz	-0.243	dB

CH2 MARKER LIST

1:	213.5000MHz	-2.596	dB
2:	217.6833MHz	-1.112	dB
3:	209.5883MHz	-1.112	dB
4:	198.5000MHz	-0.942	dB
5:	228.5000MHz	-1.582	dB