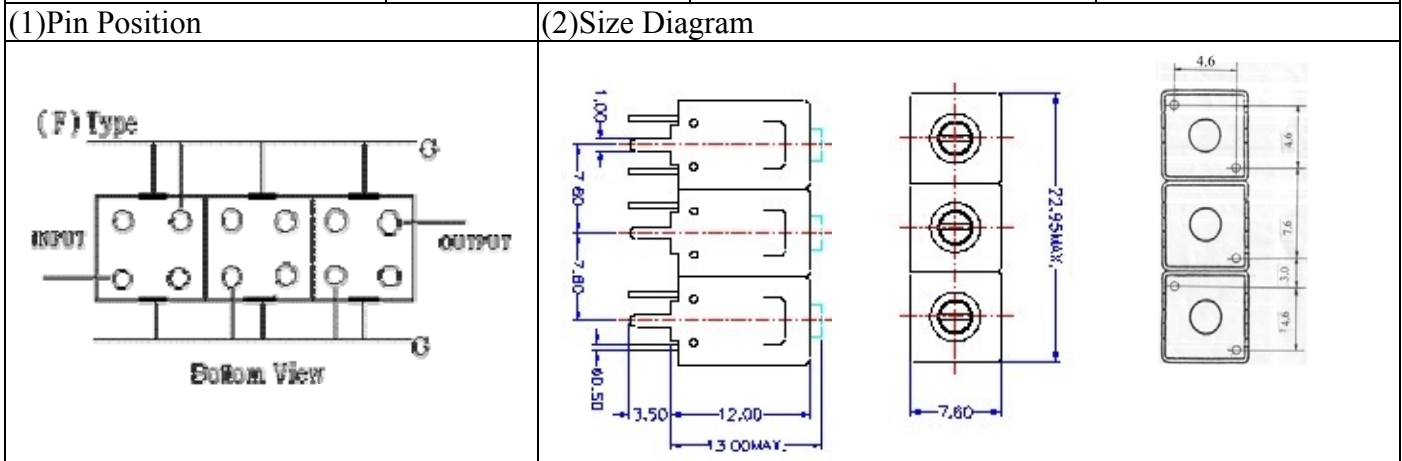


VHF UHF Helical Filter Specification Sheet

Customer Name		Temwell's Part No.	TTL63129F-255.5M
Approval No. /dated	0701050APR	Acceptable Specify Fo Range	246~275 MHz
Work Instruction No.	0701050DC	Date	Jan.17.2007



(3) Electric Chararistic

Item	Specify	Performance	
Center Freq.(Fo) +/- 0.5 %	255.5 MHz	255.5 MHz	
Tunable Range	255.5±4 MHz	255.5±4 MHz	
Insertion Loss	Typ. 3.5 dB	2.69 dB	
-3 dB Bandwidth	Typ. 7 MHz	8.1 MHz	
Sensitivity (Attenuation)	Fo - 20 MHz	Typ. 37 dB	40 dB
	Fo + 20 MHz	Typ. 27 dB	30 dB
	Fo - ()MHz	Typ. dB	dB
	Fo +()MHz	Typ. dB	dB
Return Loss	Min. 12 dB	19.7 dB	
Ripple	< 1 dB	dB	
Impedance	In / Out : 75 Ω	In / Out : 75 Ω	

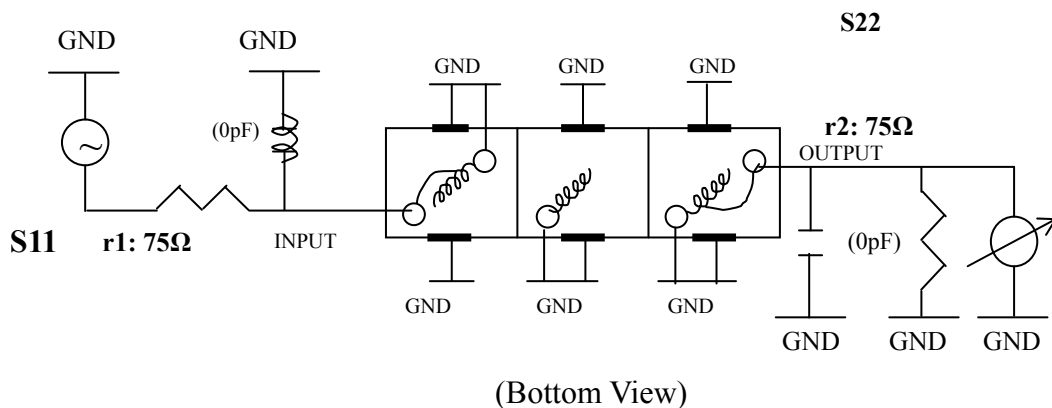
(4) Torque for Tuning Screw > 100gf · cm

(5) Temperature Condition:

Operating Temperature	-0°C ~ +60°C
Storage Temperature	-20°C ~ +70°C

(6) Input Power > 1Watt

(7) Measuring Circuit: ※Easy to match Impedance S11/S22 75Ω by parallel with about(0pF)/(0pF).

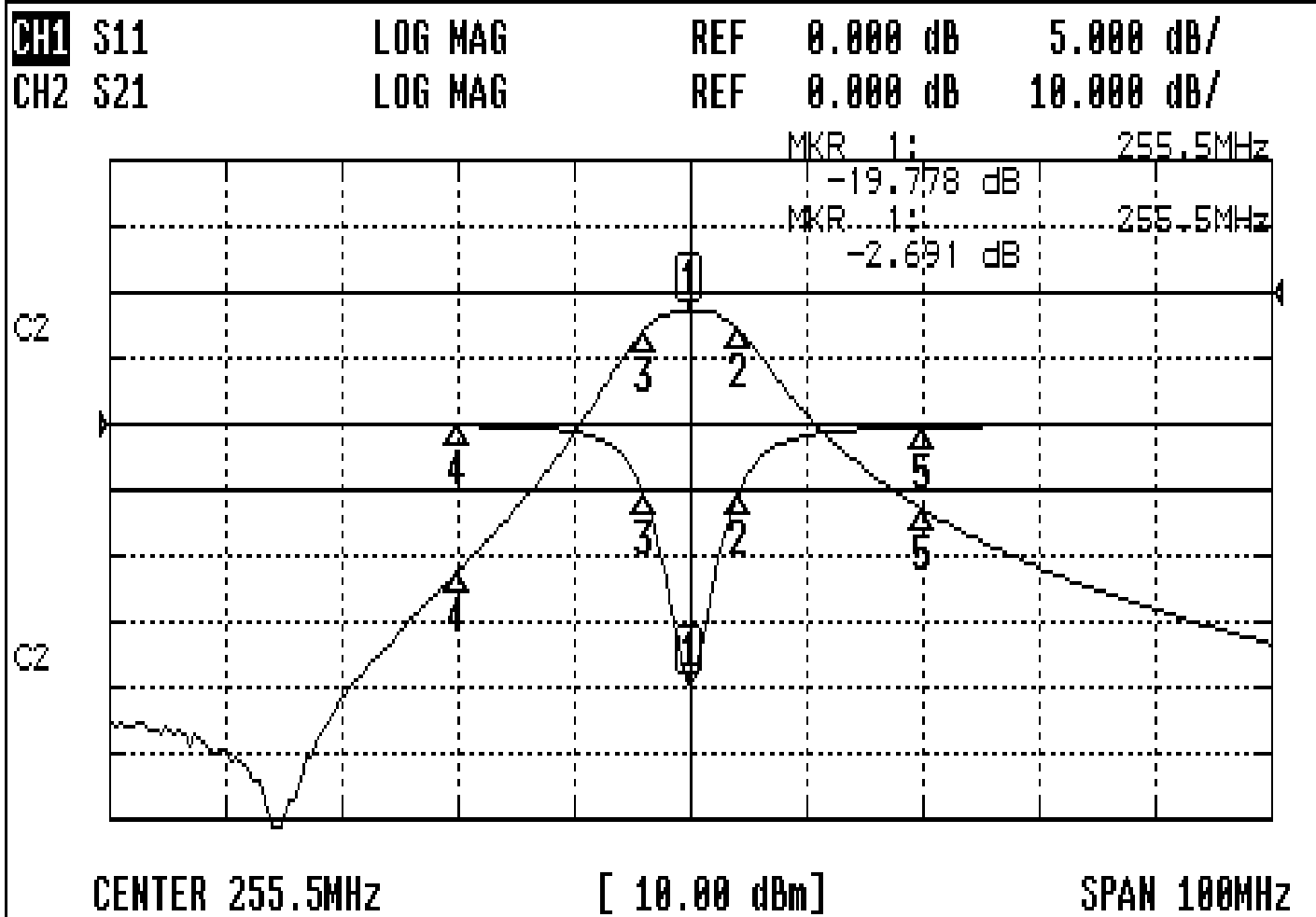


Approval	Supervisor	Designer	Aperture size
C.Y.Chang	C.S.Chang	W.W.Wang	7H3(4*5.5)F 7H024LB4

TEMWELL CORPORATION

Performance-TTL63129F-255.5M

0701050DC



CH1 MARKER LIST

1:	255.500MHz	-19.778	dB
2:	259.666MHz	-15.319	dB
3:	251.583MHz	-15.441	dB
4:	235.500MHz	-0.119	dB
5:	275.500MHz	-0.229	dB
6:			
7:			
8:			
9:			
10:			

CH2 MARKER LIST

1:	255.500MHz	-2.693	dB
2:	259.666MHz	-11.668	dB
3:	251.583MHz	-11.640	dB
4:	235.500MHz	-42.376	dB
5:	275.500MHz	-32.899	dB
6:			
7:			
8:			
9:			
10:			