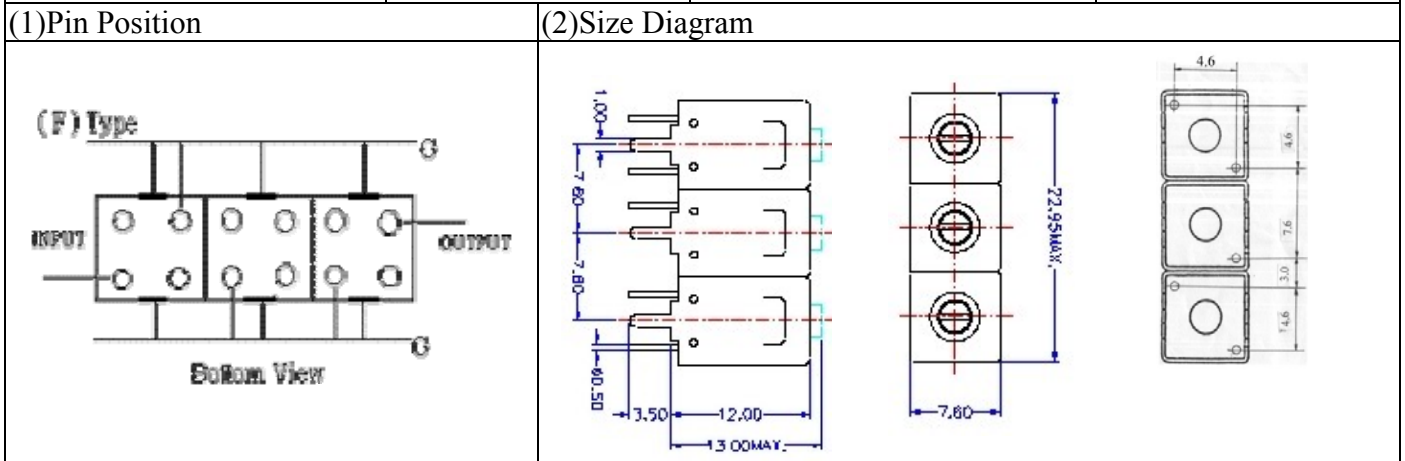


VHF UHF Helical Filter Specification Sheet

| | | | |
|----------------------|------------|-----------------------------|------------------|
| Customer Name | | Temwell's Part No. | TTL6312F-211.25M |
| Approval No. /dated | 0611037APR | Acceptable Specify Fo Range | 196~220 MHz |
| Work Instruction No. | 0611037DC | Date | Nov.22.2006 |



(3) Electric Chararistic

| Item | Specify | Performance | |
|------------------------------|-----------------|-----------------|-------|
| Center Freq.(Fo) +/- 0.5 % | 211.25 MHz | 211.25 MHz | |
| Tunable Range | 211.25±4 MHz | 211.25±4 MHz | |
| Insertion Loss | Typ. 4.0 dB | 2.90 dB | |
| -3 dB Bandwidth | Typ. 6 MHz | 7.5 MHz | |
| Sensitivity (Attenuation) | Fo - 10 MHz | Typ. 24 dB | 27 dB |
| | Fo + 10 MHz | Typ. 21 dB | 24 dB |
| | Fo - ()MHz | Typ. dB | dB |
| | Fo +()MHz | Typ. dB | dB |
| Return Loss | Min. 12 dB | 23.0 dB | |
| Ripple | < 1 dB | dB | |
| Impedance | In / Out : 75 Ω | In / Out : 75 Ω | |

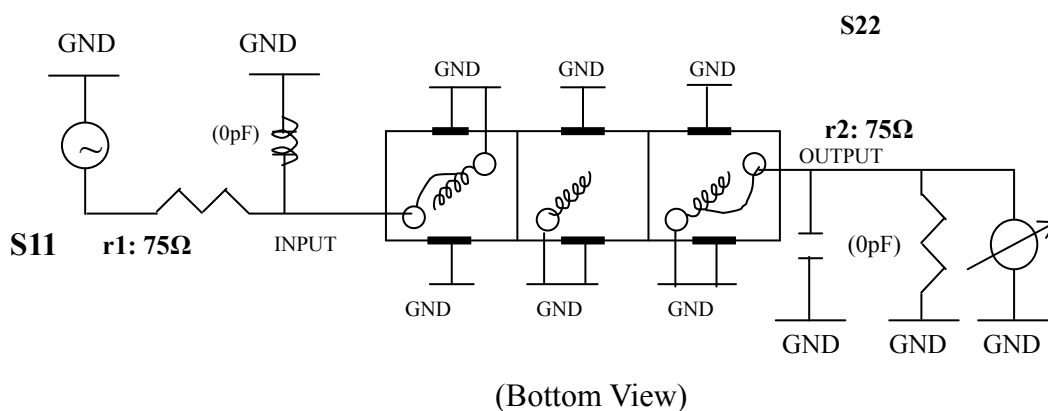
(4) Torque for Tuning Screw > 100gf · cm

(5) Temperature Condition:

| | |
|-----------------------|---------------|
| Operating Temperature | -0°C ~ +60°C |
| Storage Temperature | -20°C ~ +70°C |

(6) Input Power > 1Watt

(7) Measuring Circuit: ※Easy to match Impedance S11/S22 75Ω by parallel with about(0pF)/(0pF).

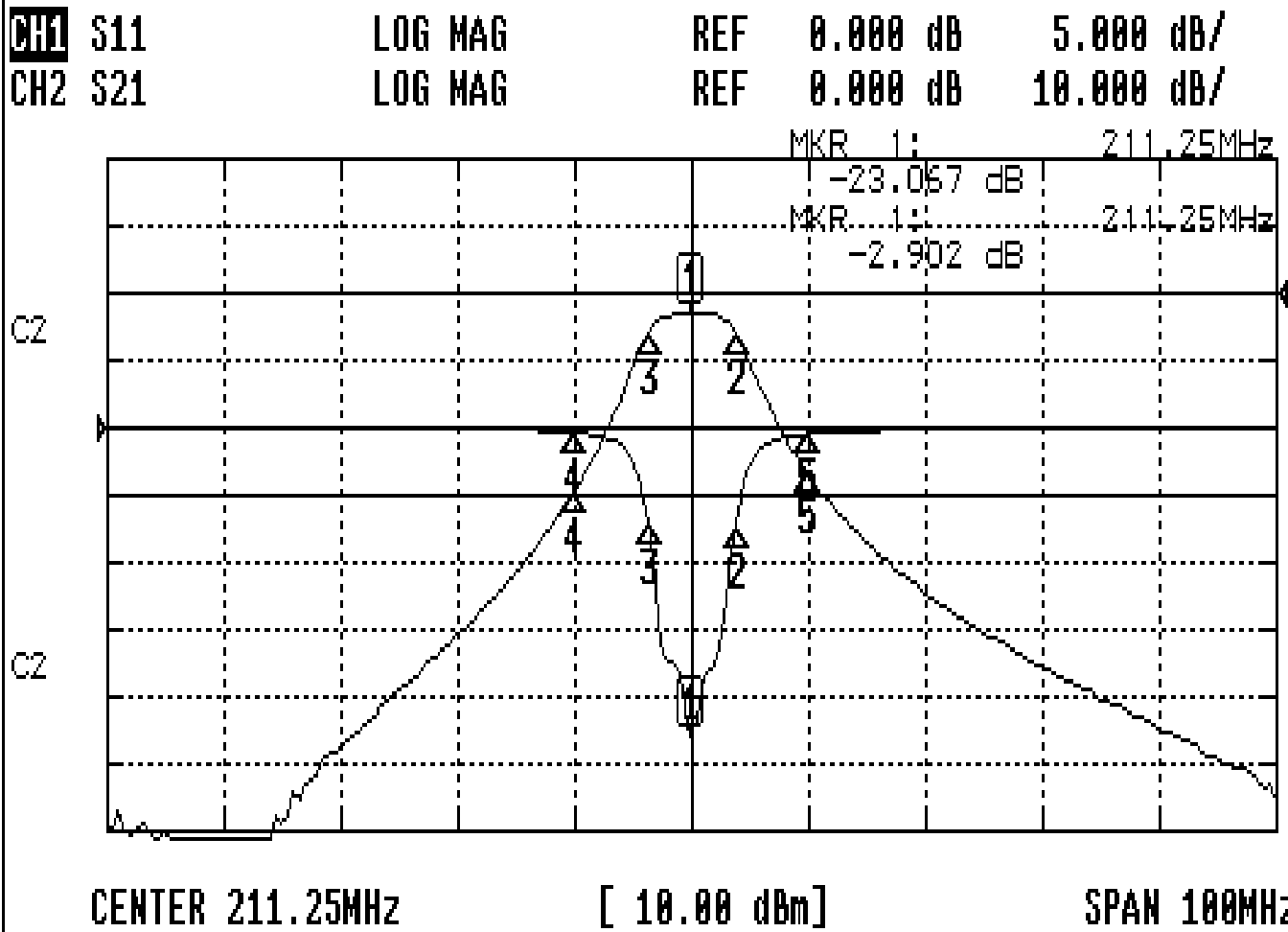


| | | | |
|-----------|------------|----------|-------------------------|
| Approval | Supervisor | Designer | Aperture size |
| C.Y.Chang | C.S.Chang | W.W.Wang | 7H3(4*5.5)F 7H024LB4 |

TEMWELL CORPORATION

Performance-TTL6312F-211.25M

0611037DC



CH1 MARKER LIST

| Marker | Frequency (MHz) | Magnitude (dB) |
|--------|-----------------|----------------|
| 1 | 211.250 | -23.067 |
| 2 | 215.083 | -7.074 |
| 3 | 207.583 | -7.130 |
| 4 | 201.250 | -0.295 |
| 5 | 221.250 | -0.410 |

CH2 MARKER LIST

| Marker | Frequency (MHz) | Magnitude (dB) |
|--------|-----------------|----------------|
| 1 | 211.250 | -2.903 |
| 2 | 215.083 | -11.827 |
| 3 | 207.583 | -11.990 |
| 4 | 201.250 | -26.550 |
| 5 | 221.250 | -26.765 |