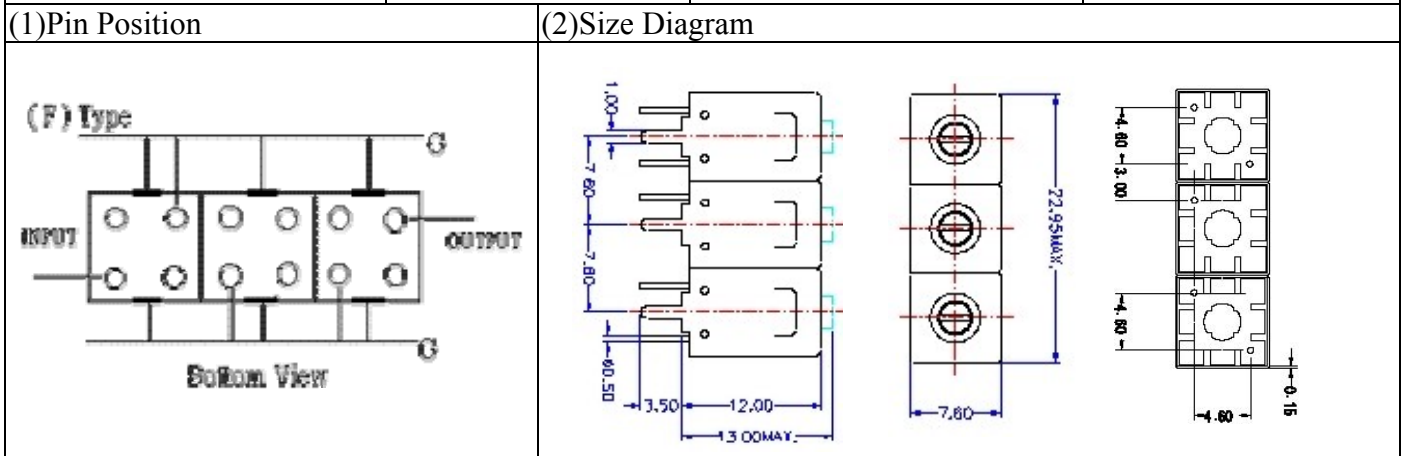


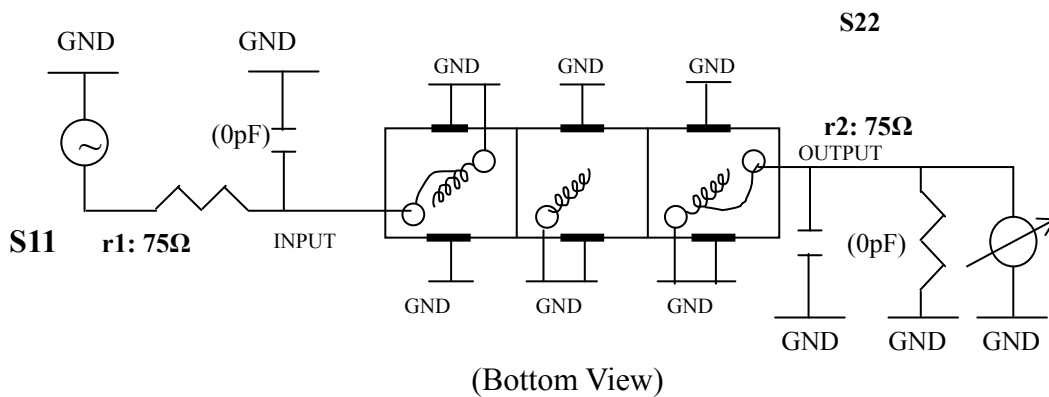
VHF UHF Helical Filter Specification Sheet

Customer Name		Temwell's Part No.	TTL63130F-262.5M
Approval No. /dated	0701051APR	Acceptable Specify Fo Range	246~275 MHz
Work Instruction No.	0701051DC	Date	Jan.24.2007



(3) Electric Characteristic			
Item		Specify	Performance
Center Freq.(Fo) +/- 0.5 %		262.5 MHz	262.5 MHz
Tunable Range:		262.5±4 MHz	262.5±4 MHz
Insertion Loss		Typ. 3.5 dB	2.65 dB
-3 dB Bandwidth		Typ. 7 MHz	8.1 MHz
Sensitivity (Attenuation)	Fo - 20 MHz	Typ. 36 dB	39 dB
	Fo + 20 MHz	Typ. 25 dB	28 dB
	Fo - ()MHz	Typ. dB	dB
	Fo +()MHz	Typ. dB	dB
Return Loss		Min. 12 dB	19.1 dB
Ripple		< 1 dB	dB
Impedance		In / Out : 75 Ω	In / Out : 75 Ω
(4) Torque for Tuning Screw			
		> 100gf • cm	
(5) Temperature Condition:			
Operating Temperature		0°C ~ +60°C	
Storage Temperature		20°C ~ +70°C	
(6) Input Power			
		> 1Watt	

(7) Measuring Circuit: ※Easy to match Impedance S11/S22 /75Ω by parallel with about(0 pF) / (0 pF).

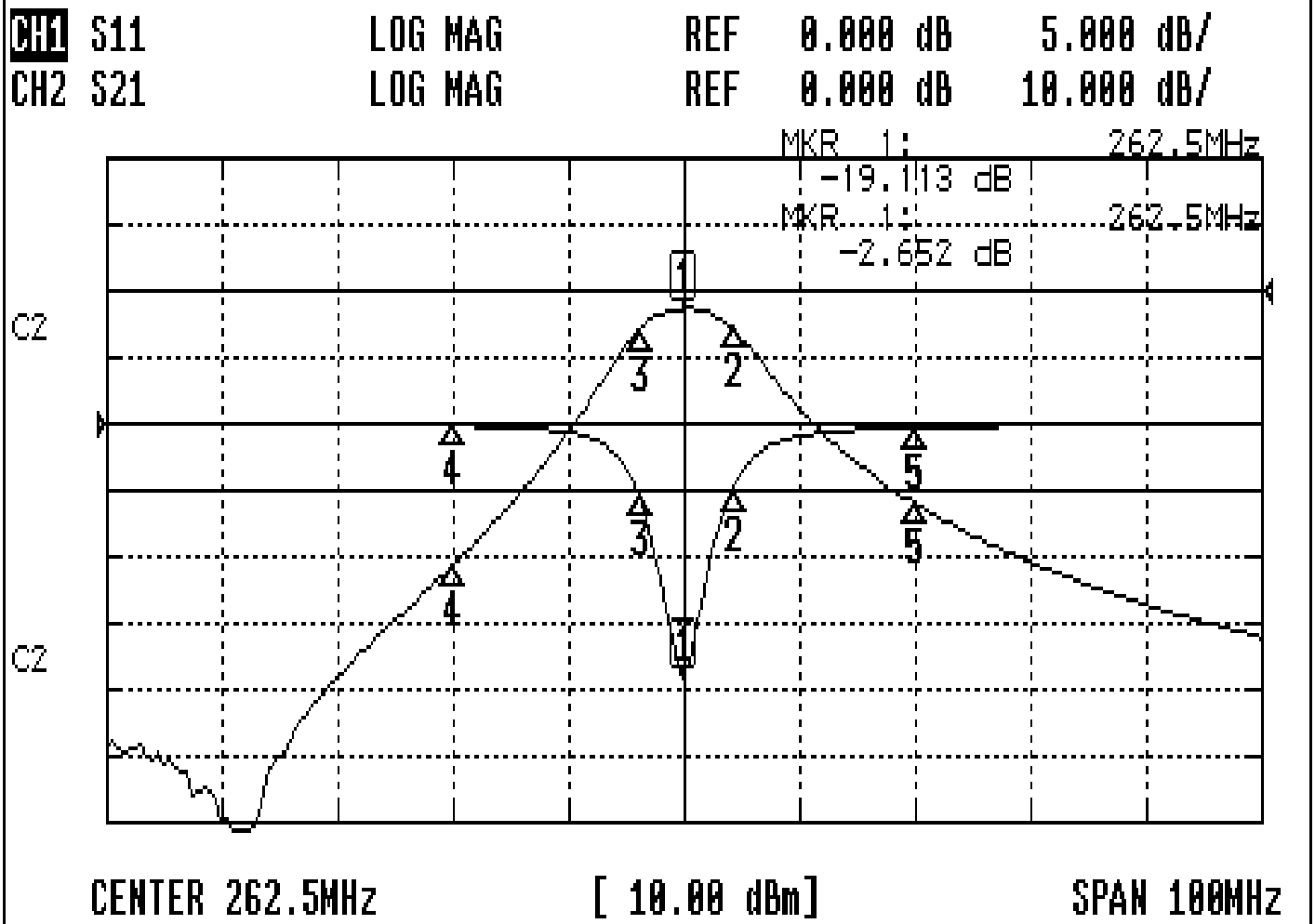


Approval	Supervisor	Designer	Aperture size
C.Y.Chang	C.S.Cnang	W.W.Wang	7H(4*5.5)F 7H024LB4

TEMWELL CORPORATION

Performance-TTL63130F-262.5M

0701051DC



CH1 MARKER LIST

1:	262.500MHz	-19.113	dB
2:	266.750MHz	-4.970	dB
3:	258.666MHz	-5.560	dB
4:	242.500MHz	-0.115	dB
5:	282.500MHz	-0.255	dB

CH2 MARKER LIST

1:	262.500MHz	-2.652	dB
2:	266.750MHz	-5.618	dB
3:	258.666MHz	-5.736	dB
4:	242.500MHz	-41.124	dB
5:	282.500MHz	-31.993	dB