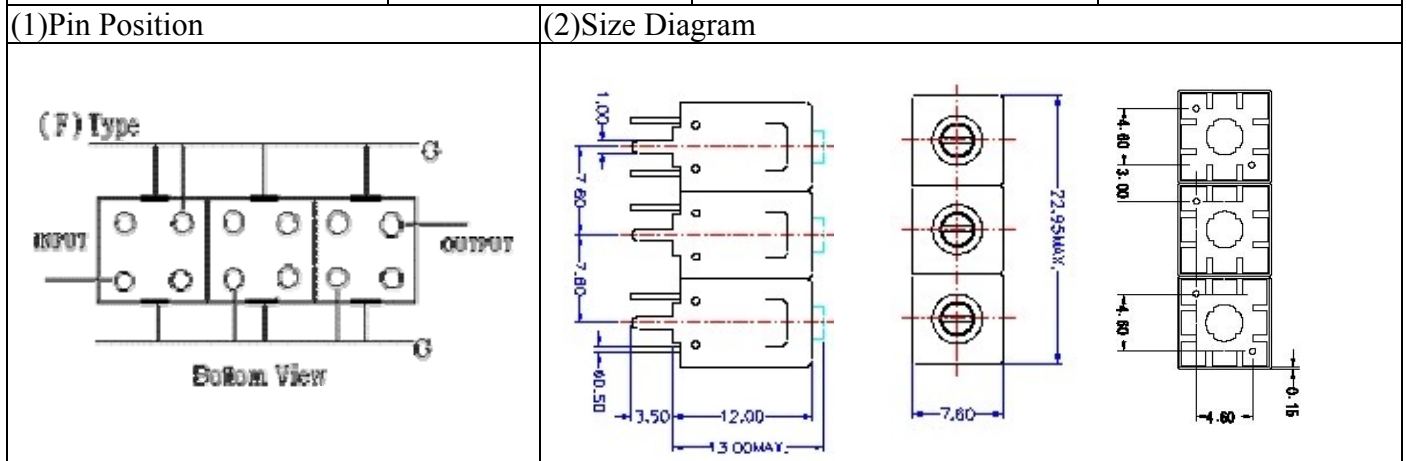


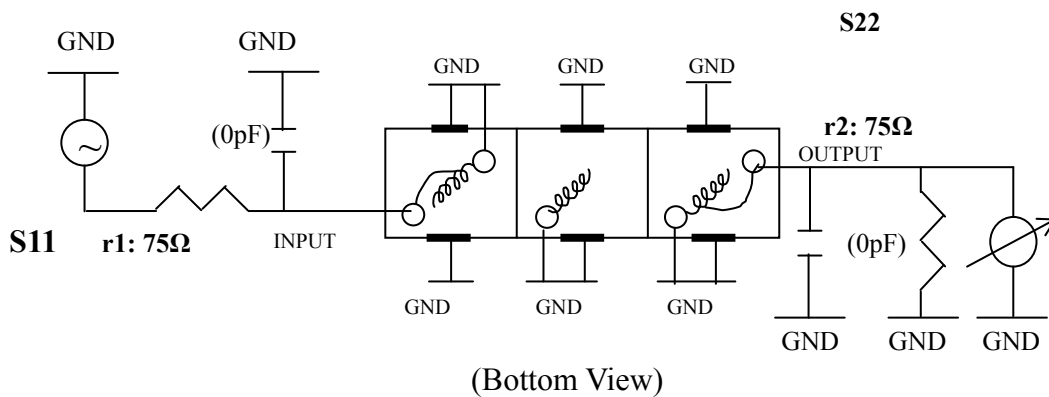
# VHF UHF Helical Filter Specification Sheet

Customer Name		Temwell's Part No.	TTL63132F-276.5M
Approval No. /dated	0701053APR	Acceptable Specify Fo Range	245~276 MHz
Work Instruction No.	0701053DC	Date	Jan.24.2007



(3) Electric Characteristic			
Item	Specify	Performance	
Center Freq.(Fo) +/- 0.5 %	276.5 MHz	276.5 MHz	
Tunable Range:	276.5±4 MHz	276.5±4 MHz	
Insertion Loss	Typ. 4.0 dB	2.94 dB	
-3 dB Bandwidth	Typ. 7 MHz	8.4 MHz	
Sensitivity (Attenuation)	Fo - 20 MHz	Typ. 35 dB	38 dB
	Fo + 20 MHz	Typ. 27 dB	30 dB
	Fo - ( )MHz	Typ. dB	dB
	Fo +( )MHz	Typ. dB	dB
Return Loss	Min. 12 dB	20.0 dB	
Ripple	< 1 dB	dB	
Impedance	In / Out : 75 Ω	In / Out : 75 Ω	
(4) Torque for Tuning Screw			
		> 100gf · cm	
(5) Temperature Condition:			
Operating Temperature	0°C ~ +60°C		
Storage Temperature	20°C ~ +70°C		
(6) Input Power			
		> 1Watt	

(7) Measuring Circuit: ※Easy to match Impedance S11/S22 /75Ω by parallel with about( 0 pF) / (0 pF).

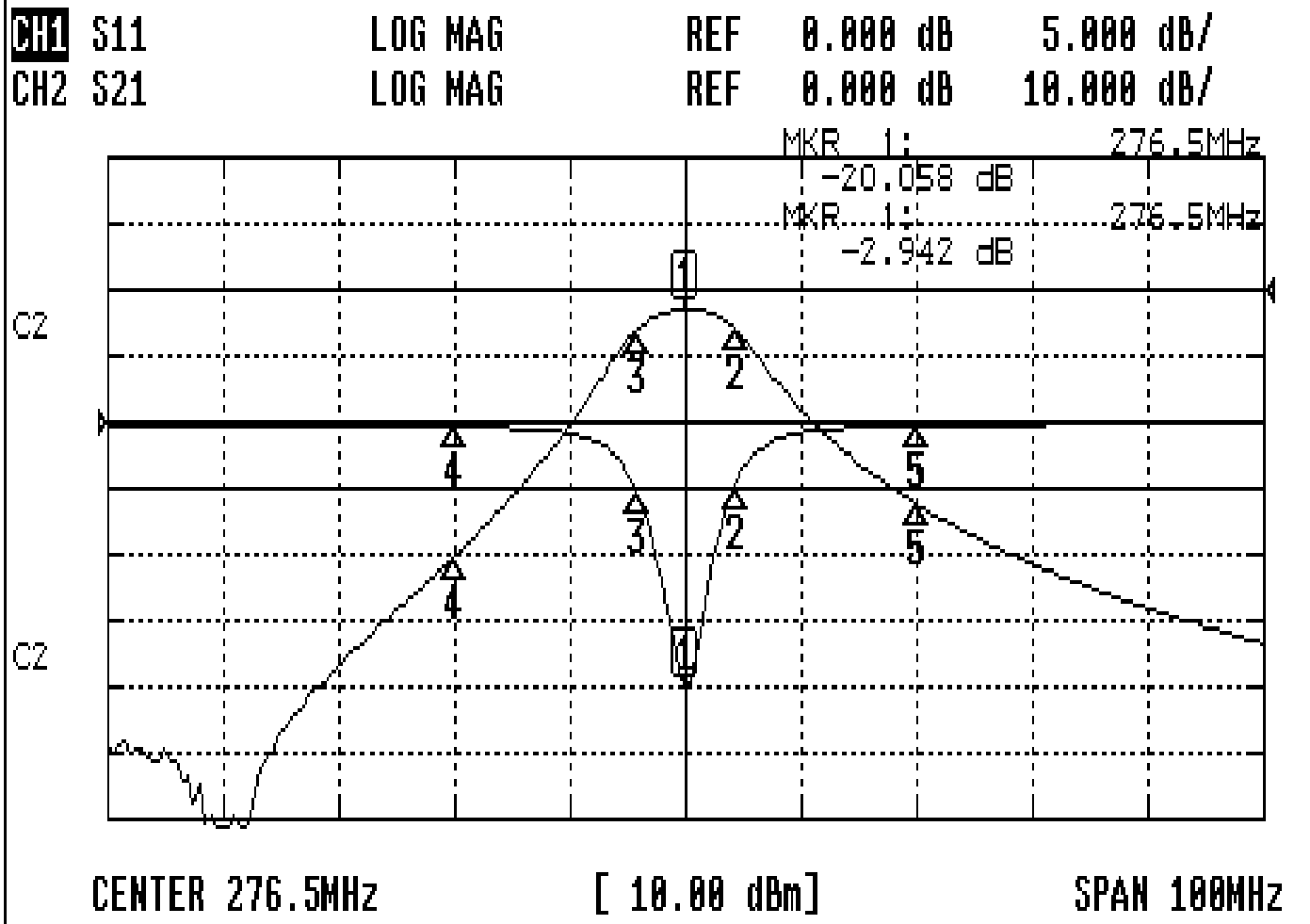


Approval	Supervisor	Designer	Aperture size
C.Y.Chang	C.S.Cnang	W.W.Wang	7H(4*5.5)F 7H024LB4

TEMWELL CORPORATION

# Performance-TTL63132F-276.5M

## 0701053DC



### CH1 MARKER LIST

Marker	Frequency (MHz)	Magnitude (dB)
1	276.500	-20.058
2	280.833	-14.837
3	272.416	-15.453
4	256.500	-0.209
5	296.500	-0.252

### CH2 MARKER LIST

Marker	Frequency (MHz)	Magnitude (dB)
1	276.500	-2.942
2	280.833	-15.994
3	272.416	-15.053
4	256.500	-40.294
5	296.500	-32.336