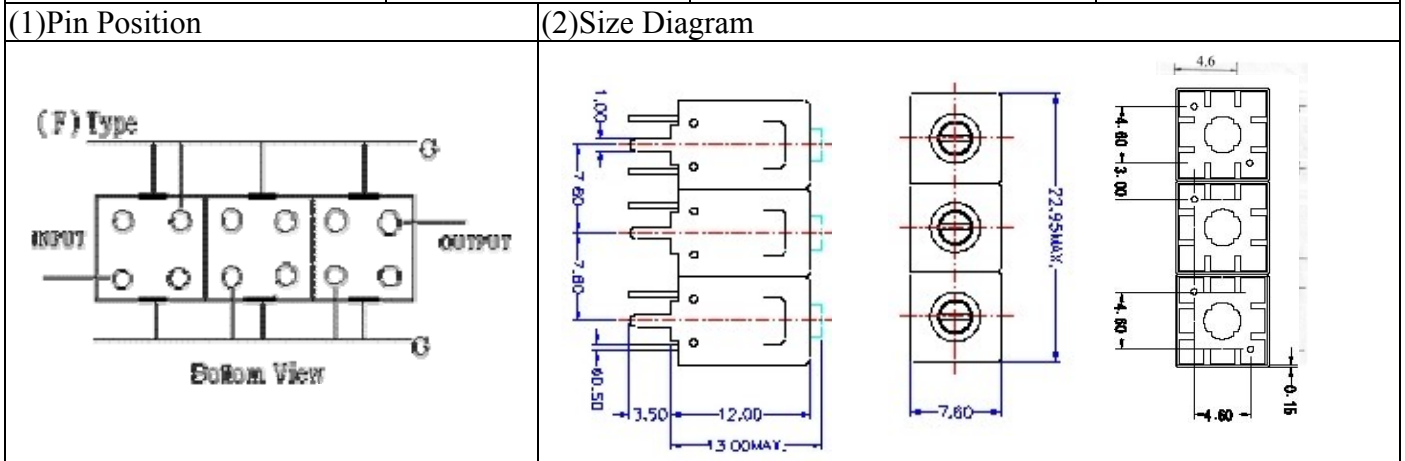


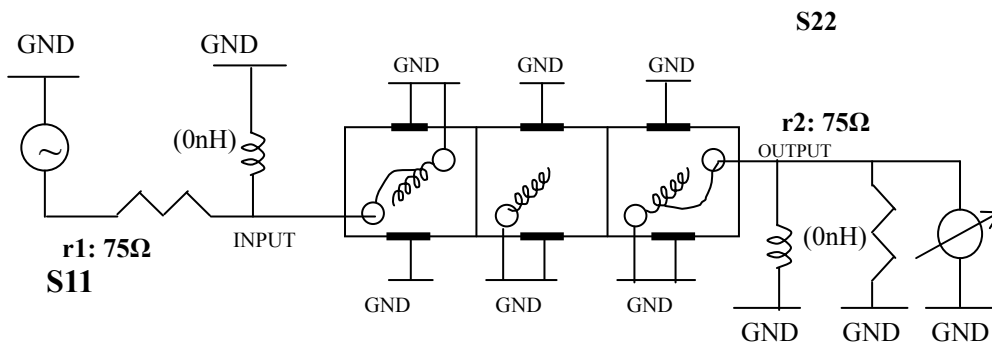
VHF UHF Helical Filter Specification Sheet

Customer Name		Temwell's Part No.	TTL63133F-283.5M
Approval No. /dated	0701054APR	Acceptable Specify Fo Range	276~310 MHz
Work Instruction No.	0701054DC	Date	Jan.25.2007



(3) Electric Character			
Item		Specify	Performance
Center Freq.(Fo) +/- 0.5 %		283.5 MHz	283.5 MHz
Tunable Range:		283.5±4 MHz	283.5±4 MHz
Insertion Loss		Typ. 4.0 dB	3.0 dB
-3 dB Bandwidth		Typ. 7 MHz	8.8 MHz
Sensitivity (Attenuation)	Fo - 20 MHz	Typ. 38 dB	41 dB
	Fo + 20 MHz	Typ. 31 dB	34 dB
	Fo - ()MHz	Typ. dB	dB
	Fo +()MHz	Typ. dB	dB
Return Loss		Min. 12 dB	21 dB
Ripple		< 1 dB	dB
Impedance		In / Out : 75 Ω	In / Out : 75 Ω
(4) Torque for Tuning Screw		> 100gf · cm	
(5) Temperature Condition:			
Operating Temperature		0°C ~ +60°C	
Storage Temperature		20°C ~ +70°C	
(6) Input Power		> 1Watt	

(7) Measuring Circuit: ※Easy to match Impedance S11/S22 75Ω by parallel with about(0 nH) / (0 nH).



(Bottom View)

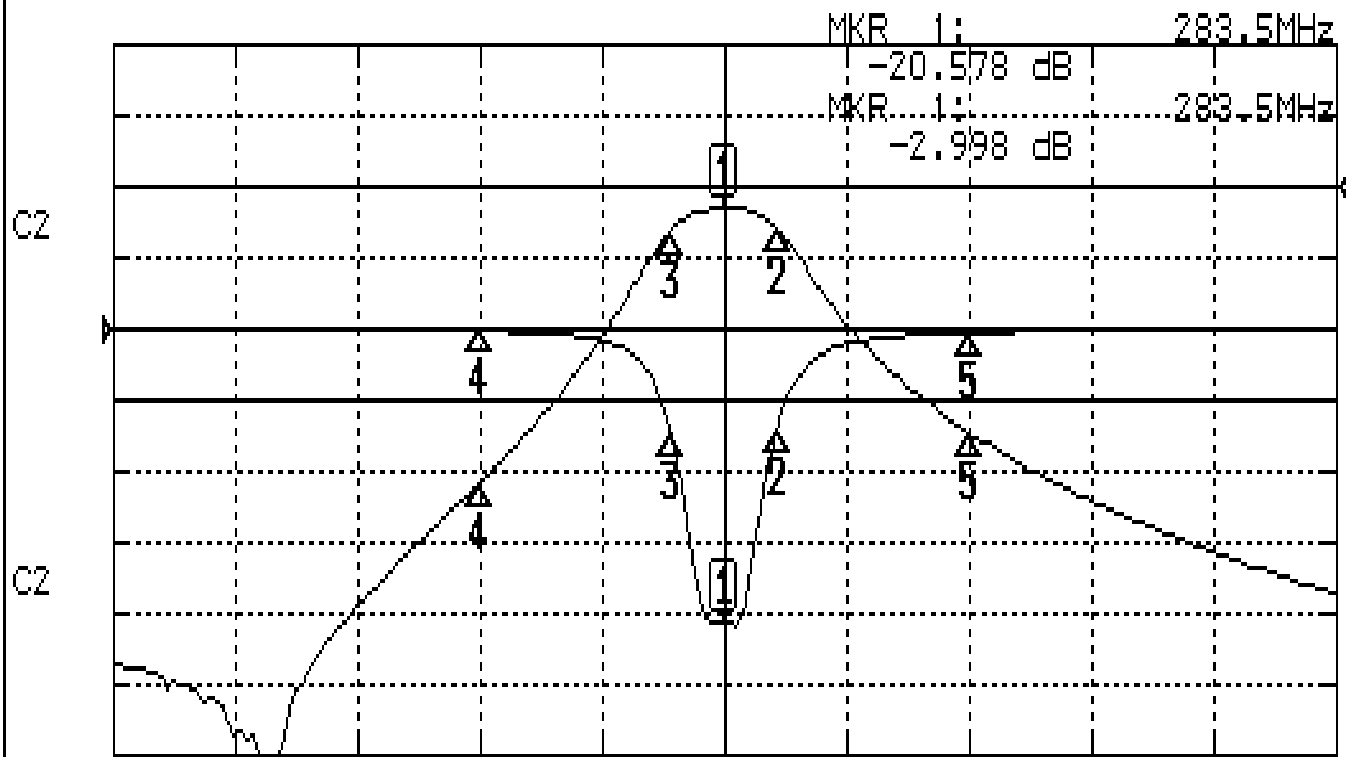
Approval	Supervisor	Designer	Aperture size
C.Y.Chang	C.S.Chang	W.W.Wang	7H3(4*5.5)F 7H024LB4

TEMWELL CORPORATION

Performance-TTL63133F-283.5M

0701054DC

CH1 S22 LOG MAG REF 0.000 dB 5.000 dB/
CH2 S21 LOG MAG REF 0.000 dB 10.000 dB/



CENTER 283.5MHz

[10.00 dBm]

SPAN 100MHz

CH1 MARKER LIST

1	283.500MHz	-20.578	dB
2	287.833MHz	-16.998	dB
3	279.166MHz	-7.377	dB
4	263.500MHz	-0.091	dB
5	303.500MHz	-0.229	dB

CH2 MARKER LIST

1	283.500MHz	-2.998	dB
2	287.833MHz	-1.927	dB
3	279.166MHz	-1.077	dB
4	263.500MHz	-1.631	dB
5	303.500MHz	-34.485	dB