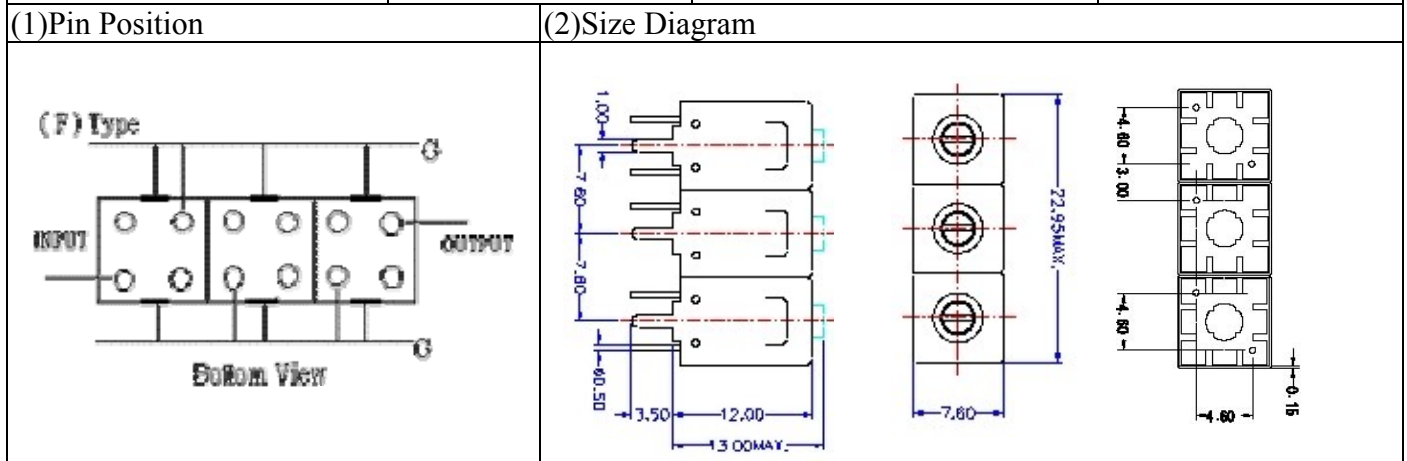
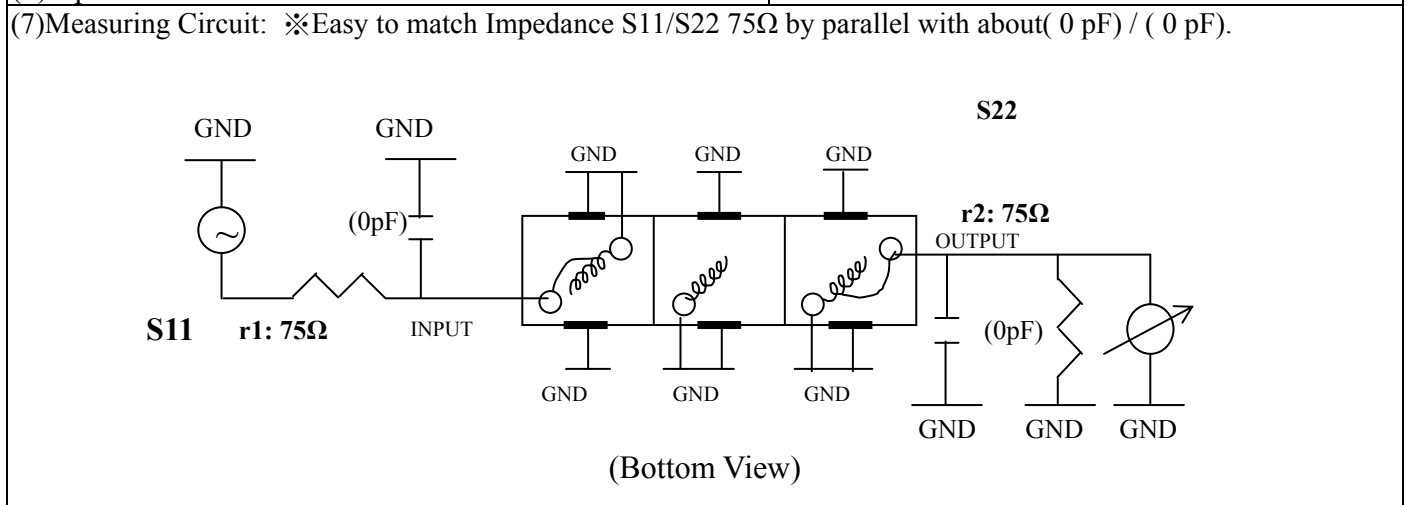


# VHF UHF Helical Filter Specification Sheet

Customer Name		Temwell's Part No.	TTL63137F-315M
Approval No. /dated	0701058APR	Acceptable Specify Fo Range	311~355 MHz
Work Instruction No.	0701058DC		Jan.27.2007



(3) Electric Characteristic			
Item		Specify	Performance
Center Freq.(Fo) +/- 0.5 %		315 MHz	315 MHz
Tunable Range:		315±4 MHz	315±4 MHz
Insertion Loss		Typ. 4.5 dB	3.47 dB
-3 dB Bandwidth		Typ. 8 MHz	9.4 MHz
Sensitivity (Attenuation)	Fo - 20 MHz	Typ. 35 dB	38 dB
	Fo + 20 MHz	Typ. 31 dB	34 dB
	Fo - ( )MHz	Typ. dB	dB
	Fo +( )MHz	Typ. dB	dB
Return Loss		Min. 12 dB	34.5 dB
Ripple		< 1 dB	dB
Impedance		In / Out : 75 Ω	In / Out : 75 Ω
(4) Torque for Tuning Screw		> 100gf · cm	
(5) Temperature Condition:			
Operating Temperature		0°C ~ +60°C	
Storage Temperature		20°C ~ +70°C	
(6) Input Power		> 1Watt	

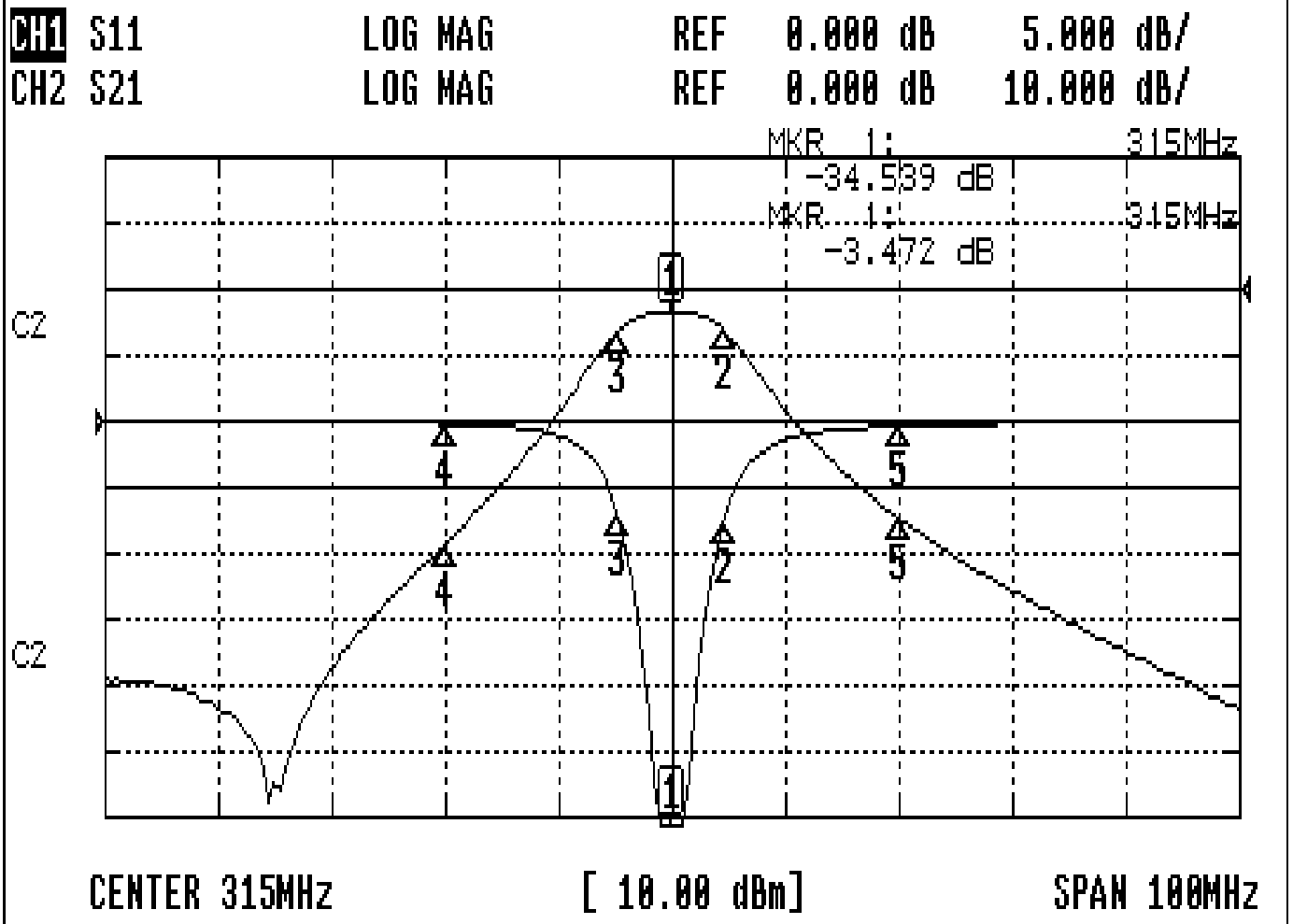


Approval	Supervisor	Designer	Aperture size
C.Y.Chang	C.S.Chang	W.W.Wang	7H3(4*6.5)F 7H046RB4

TEMWELL CORPORATION

# Performance-TTL63137F-315M

## 0701058DC



### CH1 MARKER LIST

Marker	Frequency (MHz)	Magnitude (dB)
1	315.000	-34.539
2	319.666	-7.466
3	310.250	-7.099
4	295.000	-0.169
5	335.000	-0.321

### CH2 MARKER LIST

Marker	Frequency (MHz)	Magnitude (dB)
1	315.000	-3.479
2	319.666	-6.459
3	310.250	-6.441
4	295.000	-0.536
5	335.000	-4.634