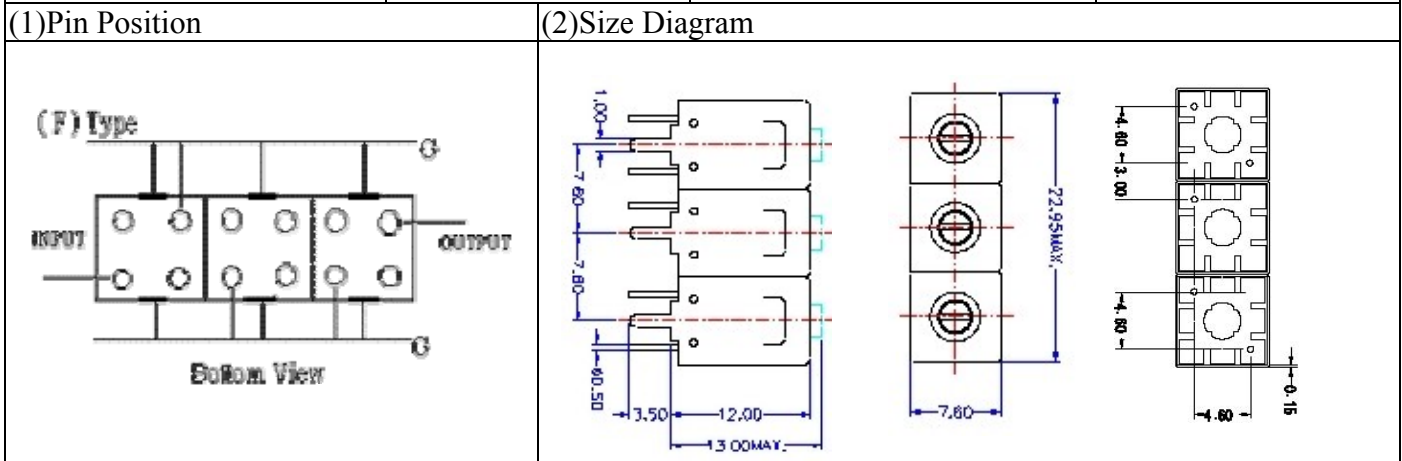


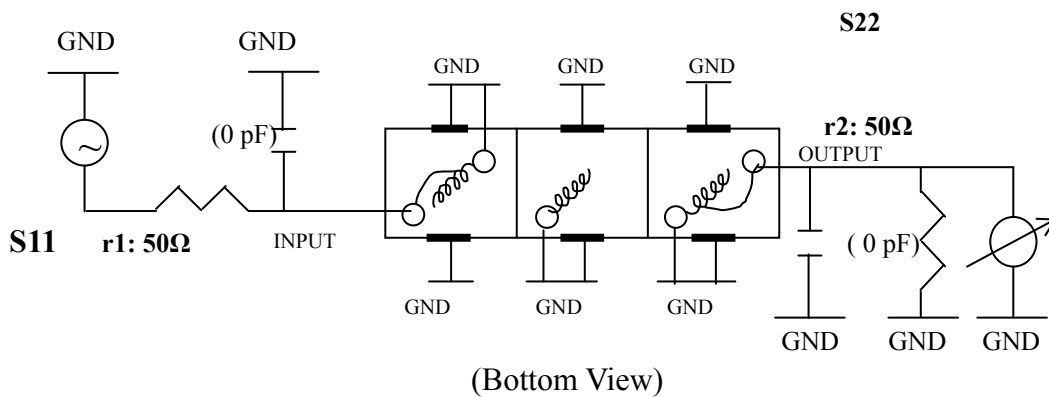
VHF UHF Helical Filter Specification Sheet

Customer Name		Temwell's Part No.	TTL63139F-331M
Approval No. /dated	0701060APR	Acceptable Specify Fo Range.	311~355MHZ
Work Instruction No.	0701060DC	Date	Jan.29.2007



Item		Specify	Performance
Center Freq.(Fo) +/- 0.5 %		331 MHz	331 MHz
Tunable Range:		331±4 MHz	331±4 MHz
Insertion Loss		Typ. 4.5 dB	3.74 dB
-3 dB Bandwidth		Typ. 7 MHz	8.8 MHz
Sensitivity (Attenuation)	Fo - 15 MHz	Typ. 27 dB	30 dB
	Fo + 15 MHz	Typ. 34 dB	37 dB
	Fo - ()MHz	Typ. dB	dB
	Fo +()MHz	Typ. dB	dB
Return Loss		Min. 12 dB	37.4 dB
Ripple		< 1 dB	dB
Impedance		In / Out : 75 Ω	In / Out : 75 Ω
(4) Torque for Tuning Screw		> 100gf · cm	
(5) Temperature Condition:			
Operating Temperature		0°C ~ +60°C	
Storage Temperature		20°C ~ +70°C	
(6) Input Power		> 1Watt	

(7) Measuring Circuit: ※Easy to match Impedance S11/S22 75Ω by parallel with about(0 pF) / (0 pF).



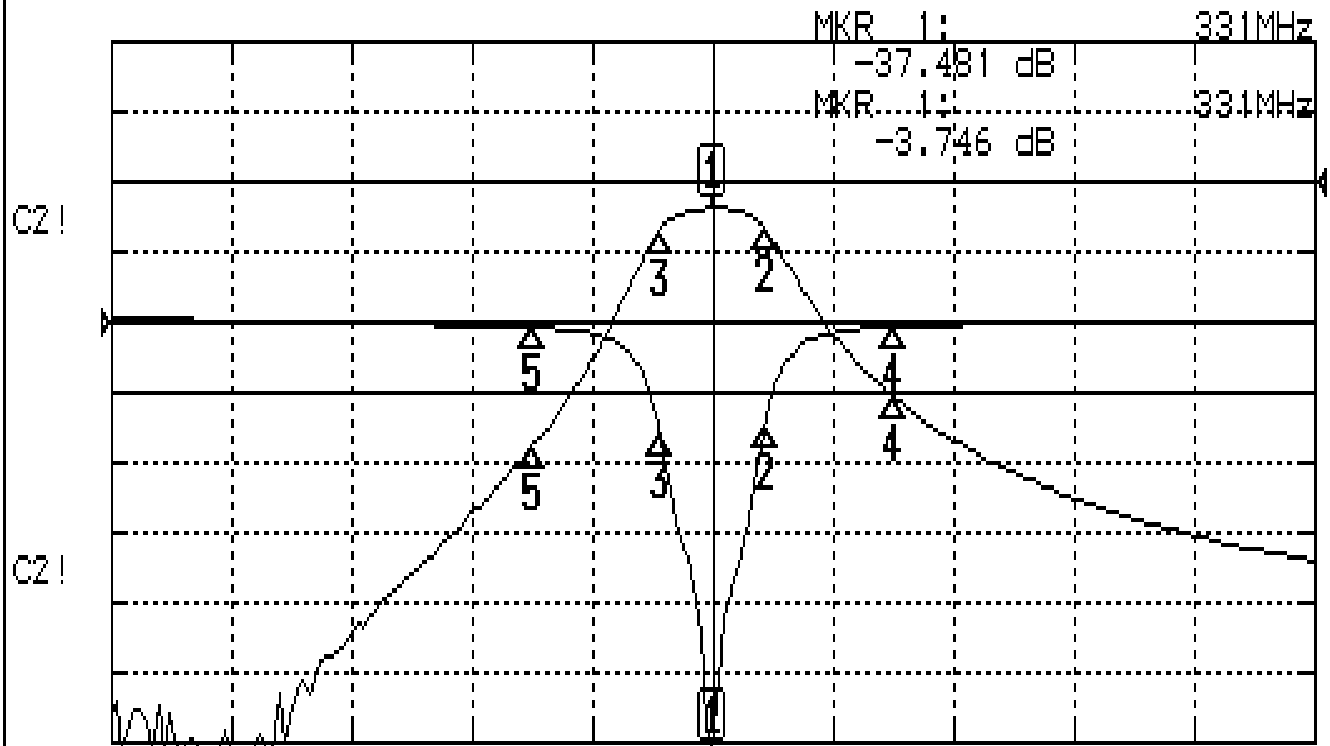
Approval	Supervisor	Designer	Aperture size
C.Y.Chang	C.S.Chang	P.H.Chiang	7H3S(4*5.5)F 7H046LB4 聚 3

TEMWELL CORPORATION

Performance-TTL63139F-331M

0701060DC

CH1 S11 LOG MAG REF 0.000 dB 5.000 dB/
CH2 S21 LOG MAG REF 0.000 dB 10.000 dB/



CENTER 331MHz

[10.00 dBm]

SPAN 100MHz

CH1 MARKER LIST

Marker	Frequency (MHz)	Magnitude (dB)
1	331.000	-37.481
2	335.416	-7.058
3	326.666	-8.016
4	346.000	-8.283
5	316.000	-8.331

CH2 MARKER LIST

Marker	Frequency (MHz)	Magnitude (dB)
1	331.000	-3.746
2	335.416	-6.704
3	326.666	-6.778
4	346.000	-30.573
5	316.000	-37.764