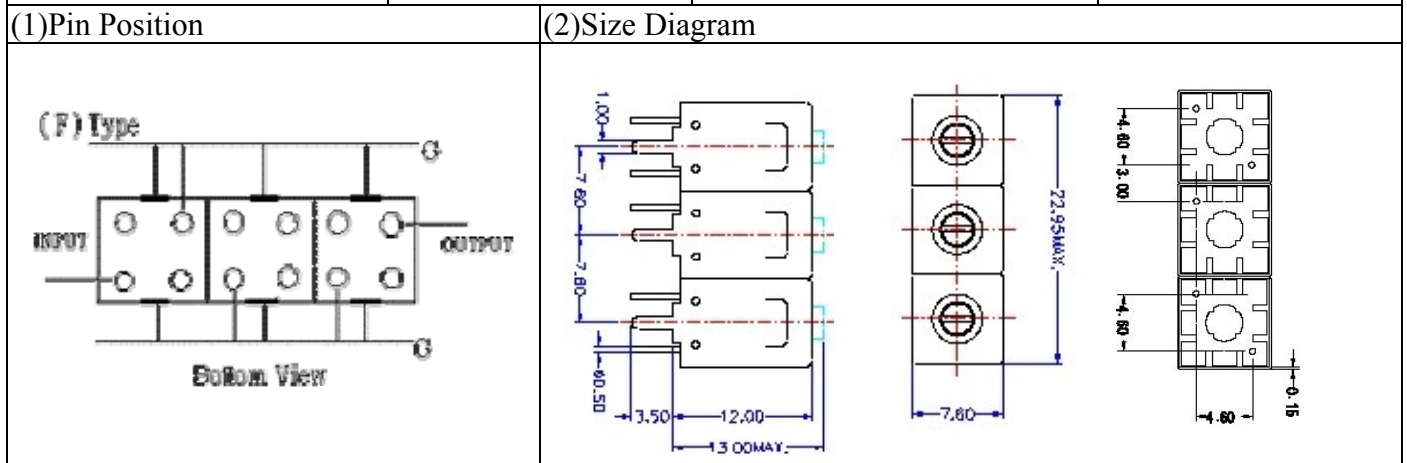


VHF UHF Helical Filter Specification Sheet

Customer Name		Temwell's Part No.	TTL63145F-379M
Approval No. /dated	0701066APR	Acceptable Specify Fo Range.	356~400MHz
Work Instruction No.	0701066DC	Date	Jan.30.2007



(3) Electric Chararistic

Item	Specify	Performance	
Center Freq.(Fo) +/- 0.5 %	379 MHz	379 MHz	
Tunable Range:	379±4 MHz	379±4 MHz	
Insertion Loss	Typ. 4.0 dB	3.11 dB	
-3 dB Bandwidth	Typ. 8 MHz	9.0 MHz	
Sensitivity (Attenuation)	Fo - 15 MHz	Typ. 29 dB	32 dB
	Fo + 15 MHz	Typ. 21 dB	24 dB
	Fo - ()MHz	Typ. dB	dB
	Fo +()MHz	Typ. dB	dB
Return Loss	Min. 12 dB	17.3 dB	
Ripple	< 1 dB	dB	
Impedance	In / Out : 75 Ω	In / Out : 75 Ω	

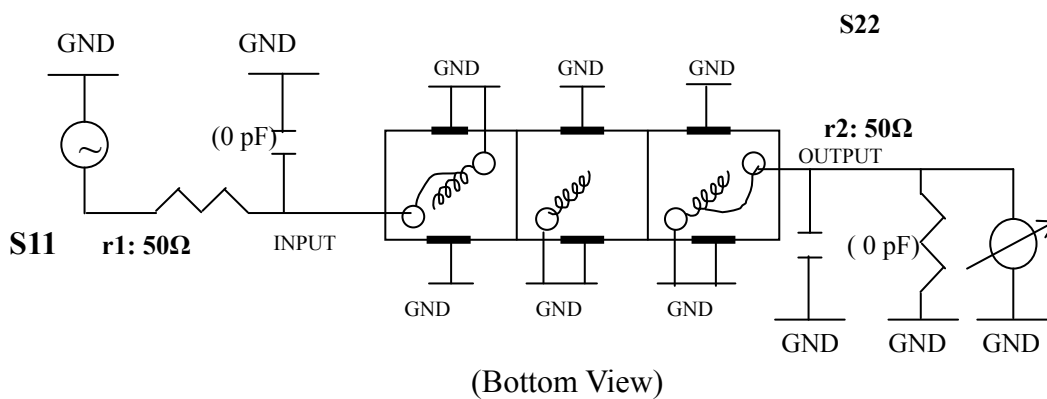
(4) Torque for Tuning Screw > 100gf · cm

(5) Temperature Condition:

Operating Temperature	0°C ~ +60°C
Storage Temperature	20°C ~ +70°C

(6) Input Power > 1Watt

(7) Measuring Circuit: ※Easy to match Impedance S11/S22 75Ω by parallel with about(0 pF) / (0 pF).



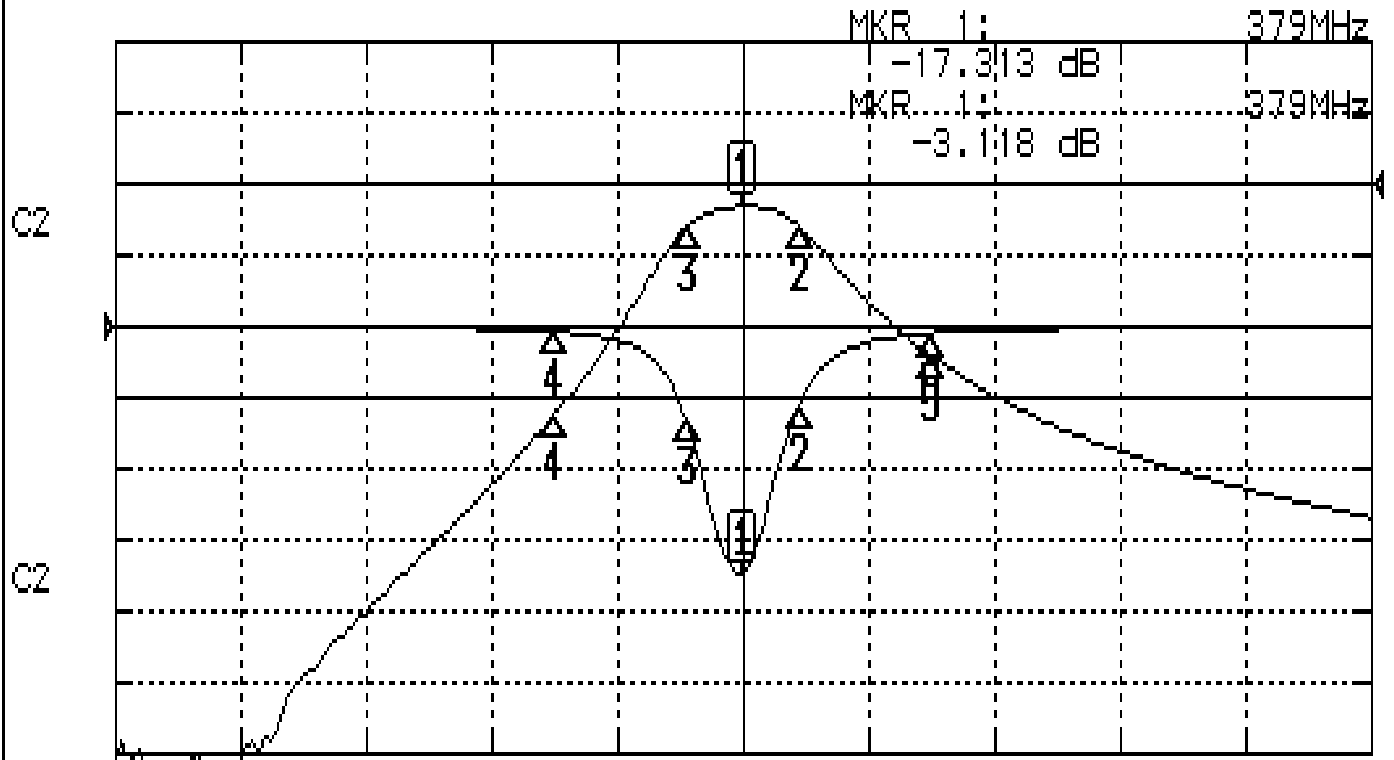
Approval	Supervisor	Designer	Aperture size
C.Y.Chang	C.S.Chang	P.H.Chiang	7H3S(4*5.5)F 7H046LB4 聚 3

TEMWELL CORPORATION

Performance-TTL63145F-379M

0701066DC

CH1 S11 LOG MAG REF 0.000 dB 5.000 dB/
CH2 S21 LOG MAG REF 0.000 dB 10.000 dB/



CENTER 379MHz

[10.00 dBm]

SPAN 100MHz

CH1 MARKER LIST

1:	379.000MHz	-17.313	dB
2:	383.583MHz	-5.431	dB
3:	374.500MHz	-6.423	dB
4:	364.000MHz	-0.364	dB
5:	394.000MHz	-0.469	dB

CH2 MARKER LIST

1:	379.000MHz	-3.118	dB
2:	383.583MHz	-6.134	dB
3:	374.500MHz	-6.185	dB
4:	364.000MHz	-32.467	dB
5:	394.000MHz	-24.177	dB