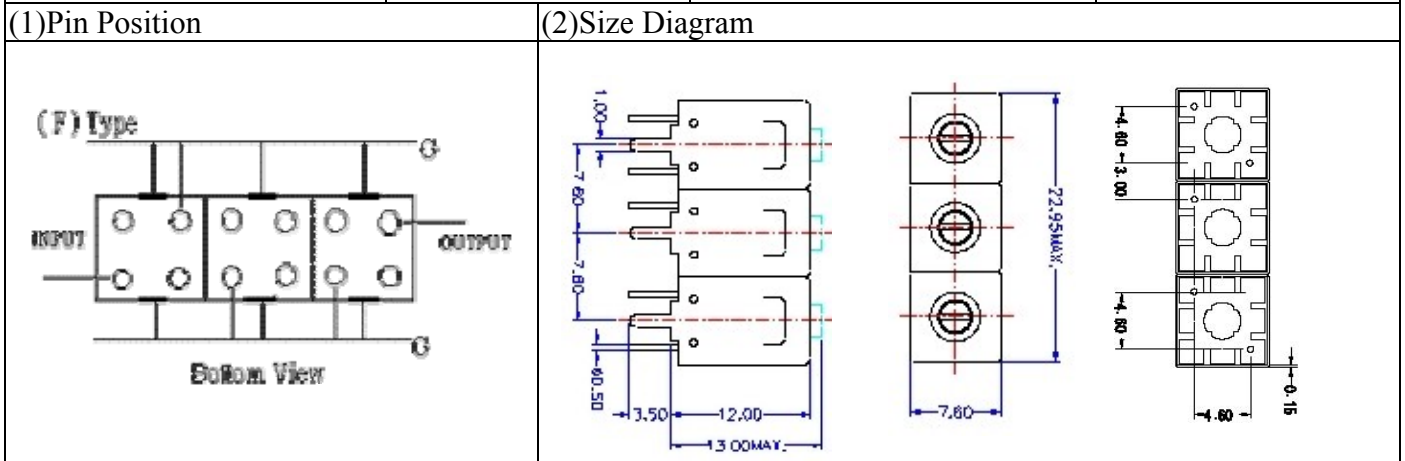


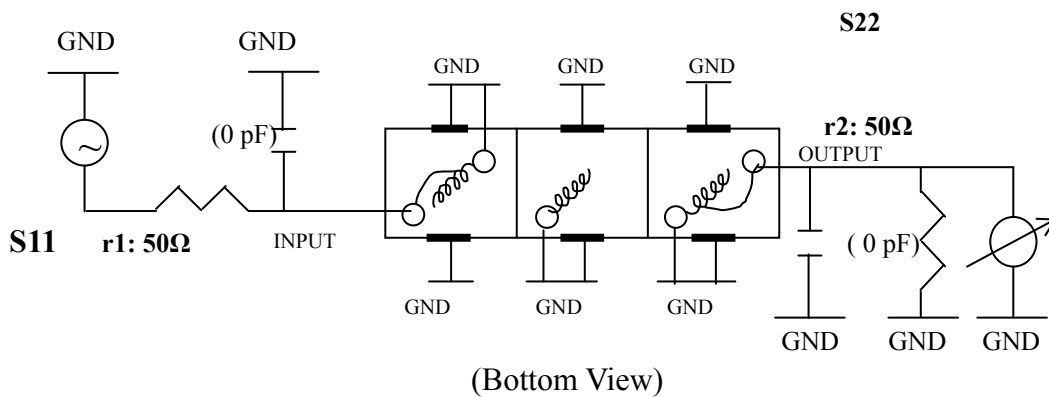
VHF UHF Helical Filter Specification Sheet

Customer Name		Temwell's Part No.	TTL63146F-387M
Approval No. /dated	0701067APR	Acceptable Specify Fo Range.	356~400MHz
Work Instruction No.	0701067DC	Date	Jan.30.2007



(3) Electric Chararistic		Item	Specify	Performance
Center Freq.(Fo) +/- 0.5 %			387 MHz	387 MHz
Tunable Range:			387±4 MHz	387±4 MHz
Insertion Loss		Typ.	4.0 dB	3.37 dB
-3 dB Bandwidth		Typ.	7 MHz	9.2 MHz
Sensitivity (Attenuation)	Fo - 15 MHz	Typ.	32 dB	35 dB
	Fo + 15 MHz	Typ.	24 dB	27 dB
	Fo - ()MHz	Typ.	dB	dB
	Fo +()MHz	Typ.	dB	dB
Return Loss		Min.	12 dB	18.3 dB
Ripple			< 1 dB	dB
Impedance			In / Out : 75 Ω	In / Out : 75 Ω
(4) Torque for Tuning Screw			> 100gf · cm	
(5) Temperature Condition:				
Operating Temperature			0°C ~ +60°C	
Storage Temperature			20°C ~ +70°C	
(6) Input Power			> 1Watt	

(7) Measuring Circuit: ※Easy to match Impedance S11/S22 75Ω by parallel with about(0 pF) / (0 pF).

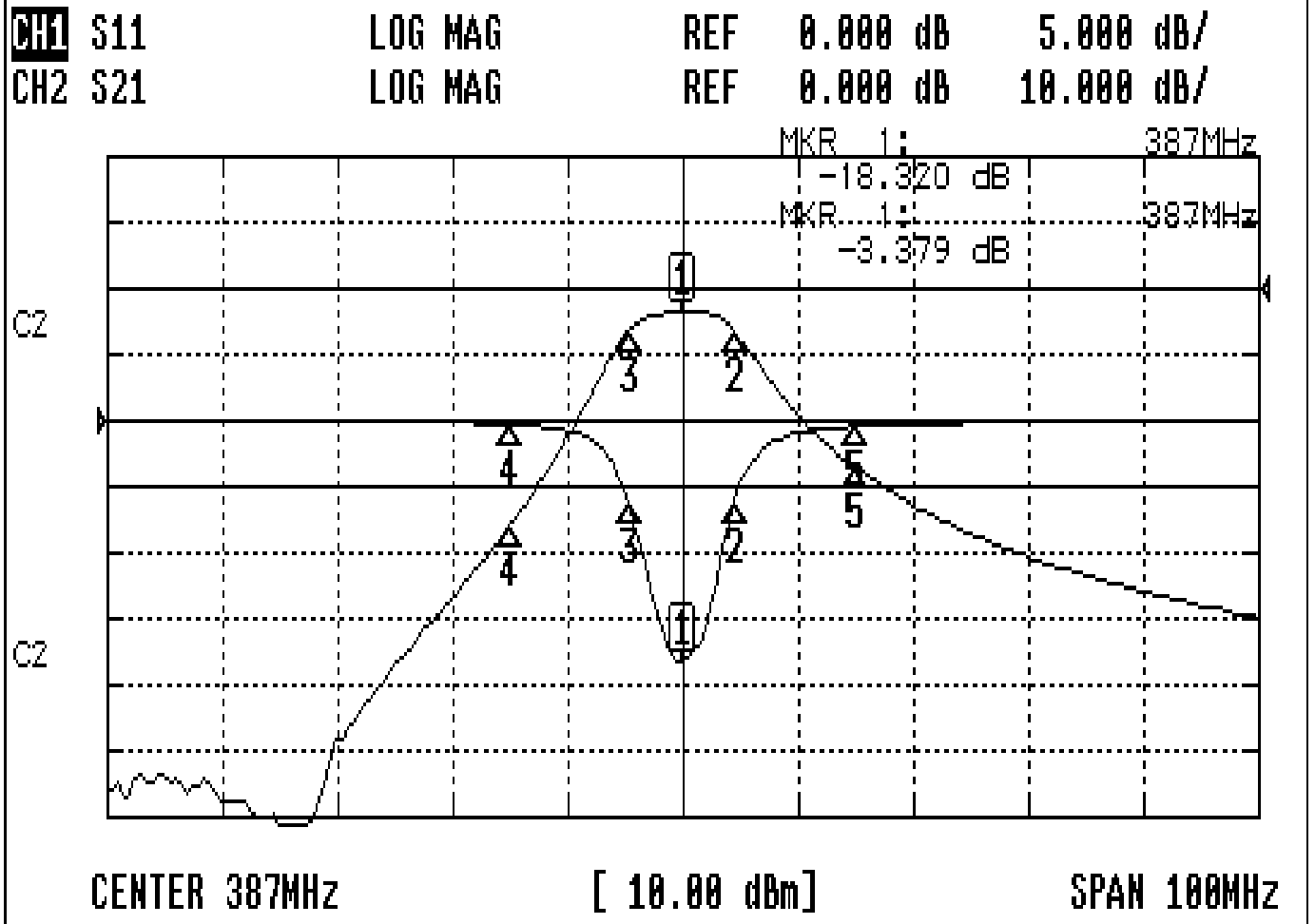


Approval	Supervisor	Designer	Aperture size
C.Y.Chang	C.S.Chang	P.H.Chiang	7H3S(4*5.5)F 7H046LB4 聚 3

TEMWELL CORPORATION

Performance-TTL63146F-387M

0701067DC



CH1 MARKER LIST

1:	387.000MHz	-18.320 dB
2:	391.500MHz	-6.102 dB
3:	382.633MHz	-6.369 dB
4:	372.000MHz	-0.255 dB
5:	402.000MHz	-0.391 dB

CH2 MARKER LIST

1:	387.000MHz	-3.379 dB
2:	391.500MHz	-6.414 dB
3:	382.633MHz	-6.472 dB
4:	372.000MHz	-13.764 dB
5:	402.000MHz	-27.140 dB