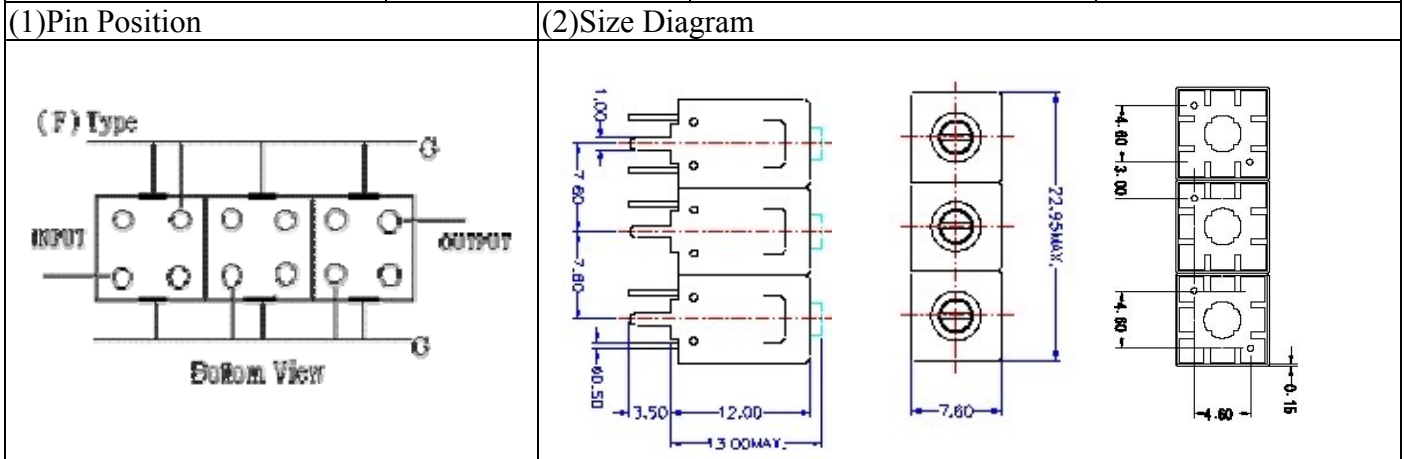


VHF UHF Helical Filter Specification Sheet

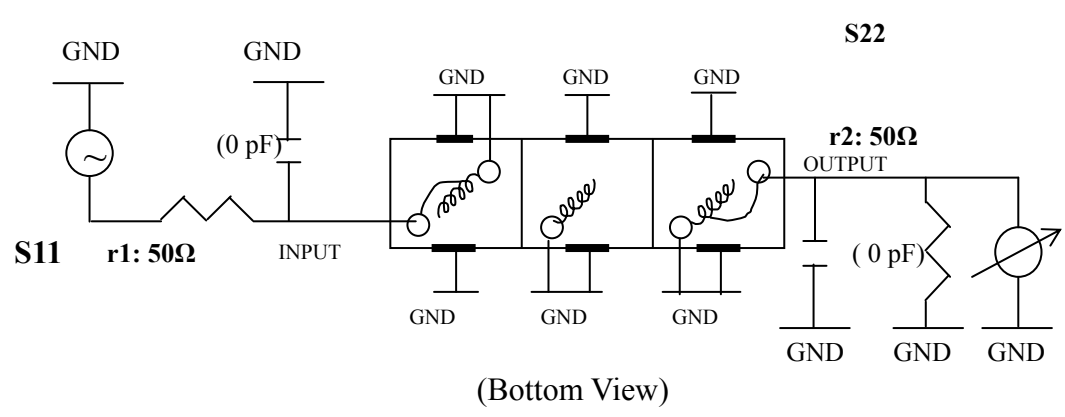
Customer Name		Temwell's Part No.	TTL63190F-739M
Approval No. /dated	0701111APR	Acceptable Specify Fo Range.	701~750MHz
Work Instruction No.	0701111DC	Date	Jan.23.2007



(3) Electric Chararistic

Item	Specify	Performance
Center Freq.(Fo) +/- 0.5 %	739 MHz	739 MHz
Tunable Range:	739±5 MHz	739±5 MHz
Insertion Loss	Typ. 4.5 dB	3.81 dB
-3 dB Bandwidth	Typ. 8 MHz	11.8 MHz
Sensitivity (Attenuation)	Fo - 20 MHz	Typ. 22 dB
	Fo + 20 MHz	Typ. 18 dB
	Fo - ()MHz	Typ. dB
	Fo +()MHz	Typ. dB
Return Loss	Min. 12 dB	23.4 dB
Ripple	< 1 dB	
Impedance	In / Out : 75 Ω	In / Out : 75 Ω
(4) Torque for Tuning Screw	> 60gf · cm	
(5) Temperature Condition:		
Operating Temperature	0°C ~ +60°C	
Storage Temperature	20°C ~ +70°C	
(6) Input Power	> 1Watt	

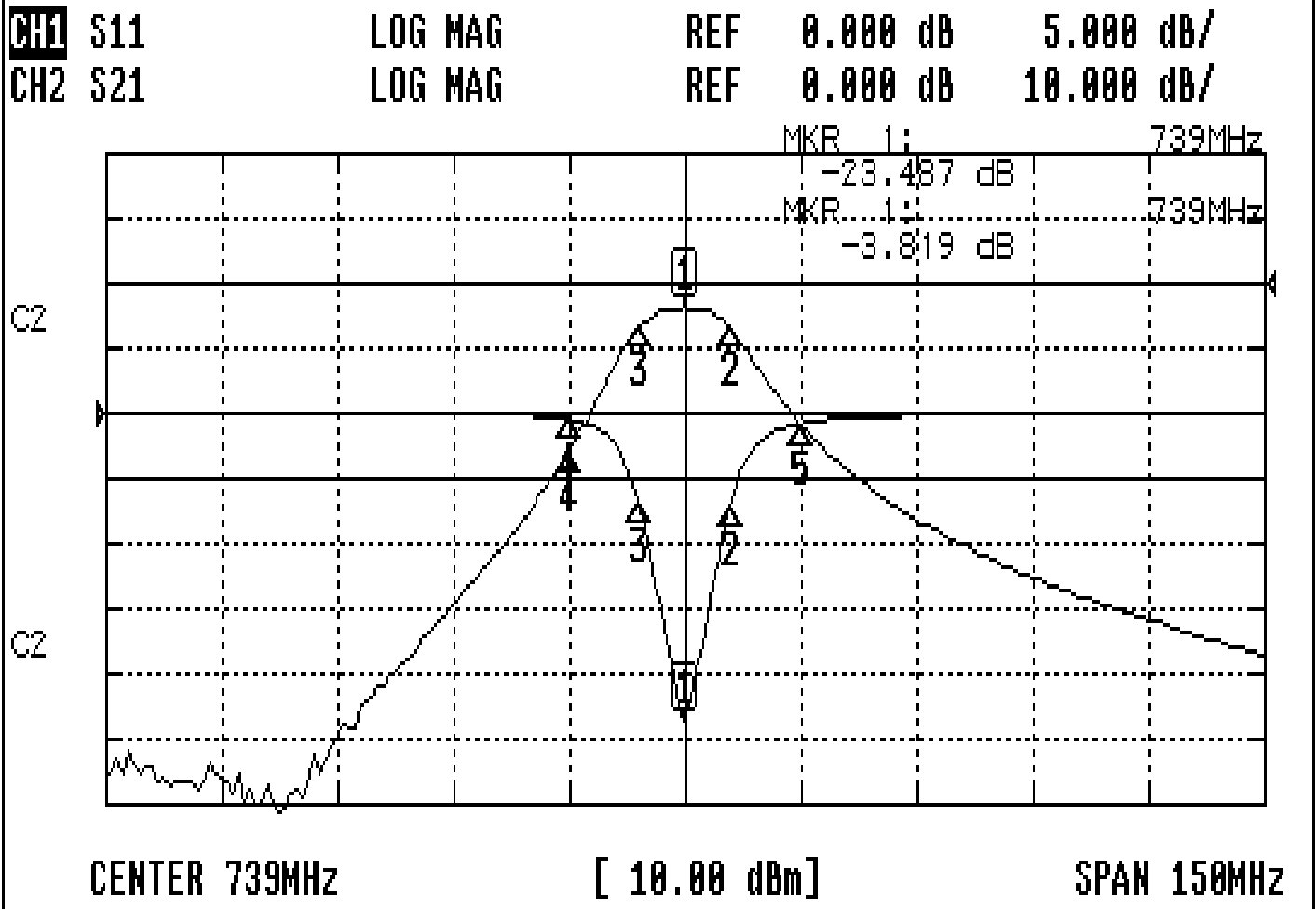
(7) Measuring Circuit: ※Easy to match Impedance S11/S22 75Ω by parallel with about(0 pF) / (0 pF).



Approval	Supervisor	Designer	Aperture size
C.Y.Chang	C.S.Chang	P.H.Chiang	7H2(4*4.65F) 7H046LB4 聚 3
TEMWELL CORPORATION			

Performance-TTL63190F-739M

070111DC



CH1 MARKER LIST

1:	739.000MHz	-23.487	dB
2:	744.875MHz	-7.021	dB
3:	733.000MHz	-16.842	dB
4:	724.000MHz	-10.429	dB
5:	754.000MHz	-0.741	dB

CH2 MARKER LIST

1:	739.000MHz	-3.819	dB
2:	744.875MHz	-16.833	dB
3:	733.000MHz	-16.741	dB
4:	724.000MHz	-25.673	dB
5:	754.000MHz	-21.655	dB