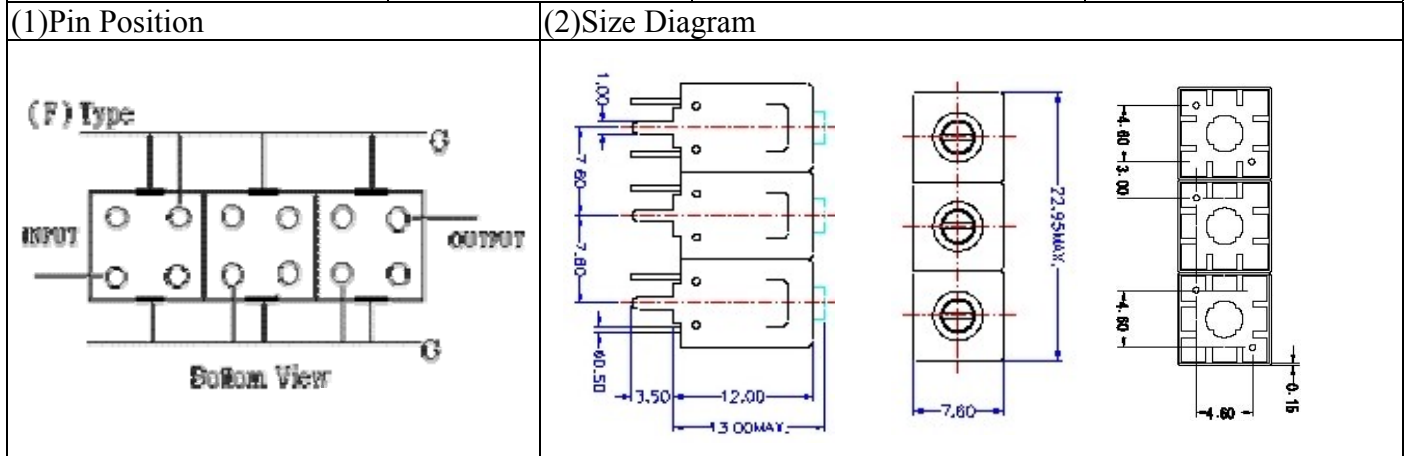


# VHF UHF Helical Filter Specification Sheet

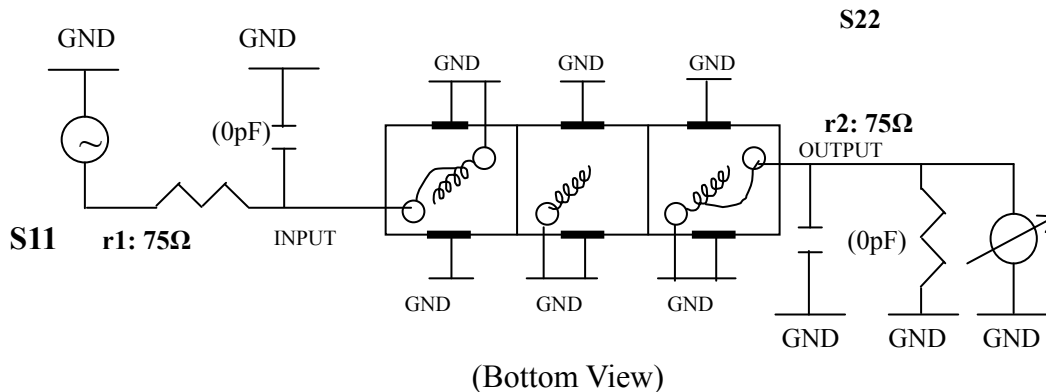
Customer Name		Temwell's Part No.	TTL63254F-175.25M
Approval No. /dated	0809127CD	Temwell's print name	63254F 175.25M
Work Instruction No.	200809127CD	Date	Oct.06.2008



(3)Electric Charasteric		Item	Specify	Performance
Center Freq.(Fo ) +/- 0.5 %			175.25 MHz	175.25 MHz
Tunable Range:			175.25±2 MHz	175.25±2 MHz
Insertion Loss		Typ.	3.5 dB	2.54 dB
-3 dB Bandwidth		Typ.	7 MHz	8.1 MHz
Sensitivity (Attenuation)	Fo - 15 MHz	Typ.	35 dB	38 dB
	Fo + 15 MHz	Typ.	25 dB	28 dB
	Fo - ( )MHz	Typ.	dB	dB
	Fo +( )MHz	Typ.	dB	dB
Return Loss		Min.	12 dB	37.3 dB
Ripple			< 1 dB	dB
Impedance			In / Out : 75 Ω	In / Out : 75 Ω
(4)Torque for Tuning Screw			> 100gf · cm	

(5)Temperature Condition:	
Operating Temperature	0°C ~ +60°C
Storage Temperature	-20°C ~ +70°C
(6)Input Power	> 1Watt

(7)Measuring Circuit: ※Easy to match Impedance S11/S22 75Ω by parallel with about( 0pF) / (0pF).



Approval	Supervisor	Designer	Aperture size
C.Y.Chang	C.S.Chang	Y.H.Yeh	7H3S(4*6.35F) 7H024LB4

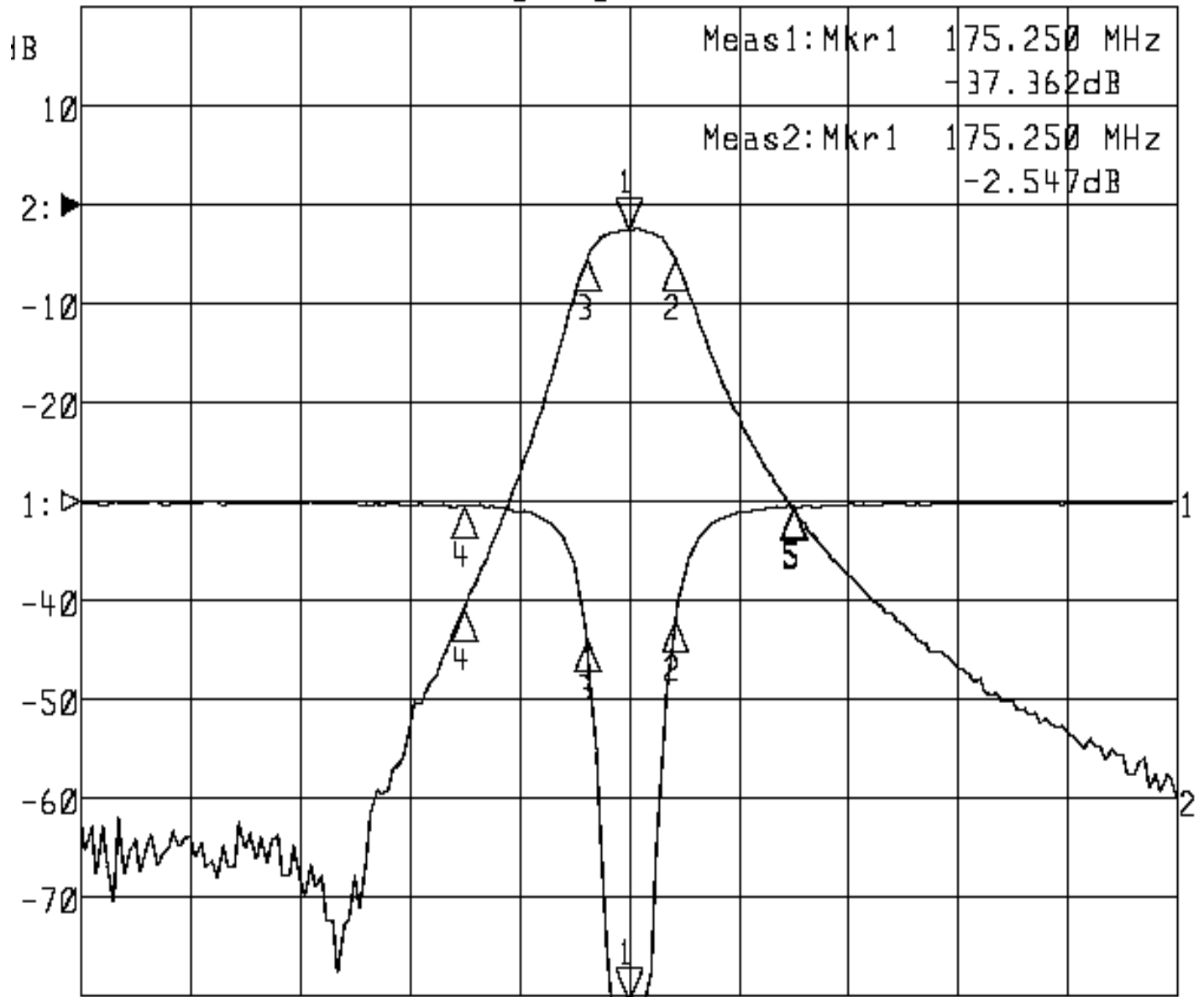
TEMWELL CORPORATION

# Performace-TTL63254F-175.25M

## 200809127CD

▶1:S11 Refl Port1 Log Mag 5.0 dB/ Ref 0.00 dB C

▶2:S21 Fwd Trans Log Mag 10.0 dB/ Ref 0.00 dB C



Center 175.250 MHz

Span 100.000 MHz

1: Mkr (MHz)	dB	2: Mkr (MHz)	dB
1> 175.2500	-37.362	1> 175.2500	-2.547
2: 179.5167	-5.965	2: 179.5167	-5.549
3: 171.3800	-6.969	3: 171.3800	-5.569
4: 160.2500	-0.218	4: 160.2500	-40.984
5: 190.2500	-0.300	5: 190.2500	-30.833