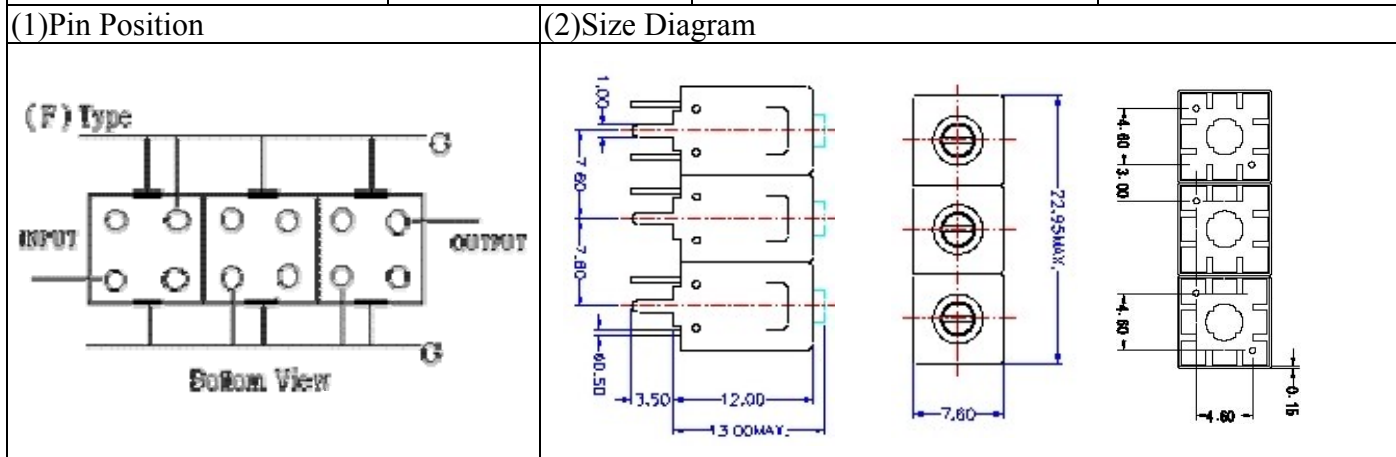


# VHF UHF Helical Filter Specification Sheet

Customer Name		Temwell's Part No.	TTL63256F-187.25M
Approval No. /dated	0809129CD	Temwell's print name	63256F 187.25M
Work Instruction No.	200809129CD	Date	Oct.07.2008



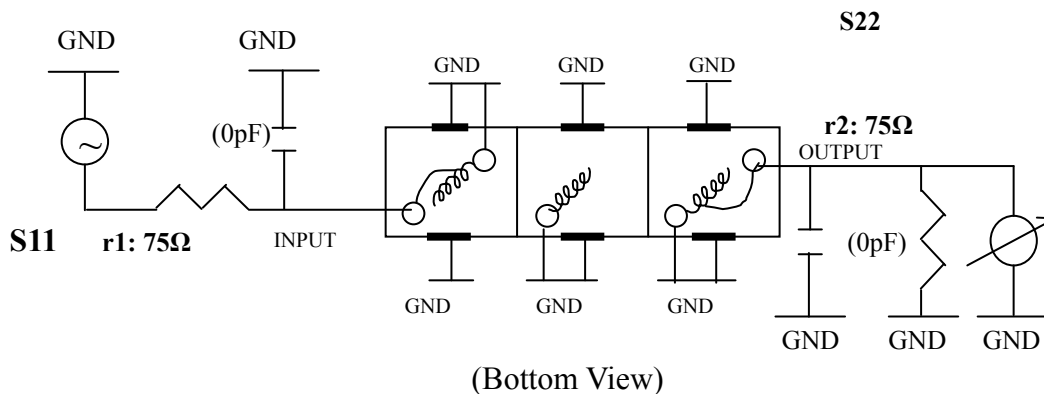
(3)Electric Charasteric		Item	Specify	Performance
Center Freq.(Fo ) +/- 0.5 %			187.25 MHz	187.25 MHz
Tunable Range:			187.25±2 MHz	187.25±2 MHz
Insertion Loss			Typ. 3.5 dB	2.64 dB
-3 dB Bandwidth			Typ. 6 MHz	8.0 MHz
Sensitivity (Attenuation)	Fo - 15 MHz	Typ. 27 dB		30 dB
	Fo + 15 MHz	Typ. 26 dB		29 dB
	Fo - ( )MHz	Typ. dB		dB
	Fo +( )MHz	Typ. dB		dB
Return Loss			Min. 12 dB	30.3 dB
Ripple			< 1 dB	dB
Impedance			In / Out : 75 Ω	In / Out : 75 Ω

(4)Torque for Tuning Screw > 100gf · cm

(5)Temperature Condition:  
 Operating Temperature 0°C ~ +60°C  
 Storage Temperature -20°C ~ +70°C

(6)Input Power > 1Watt

(7)Measuring Circuit: ※Easy to match Impedance S11/S22 75Ω by parallel with about( 0pF) / (0pF).



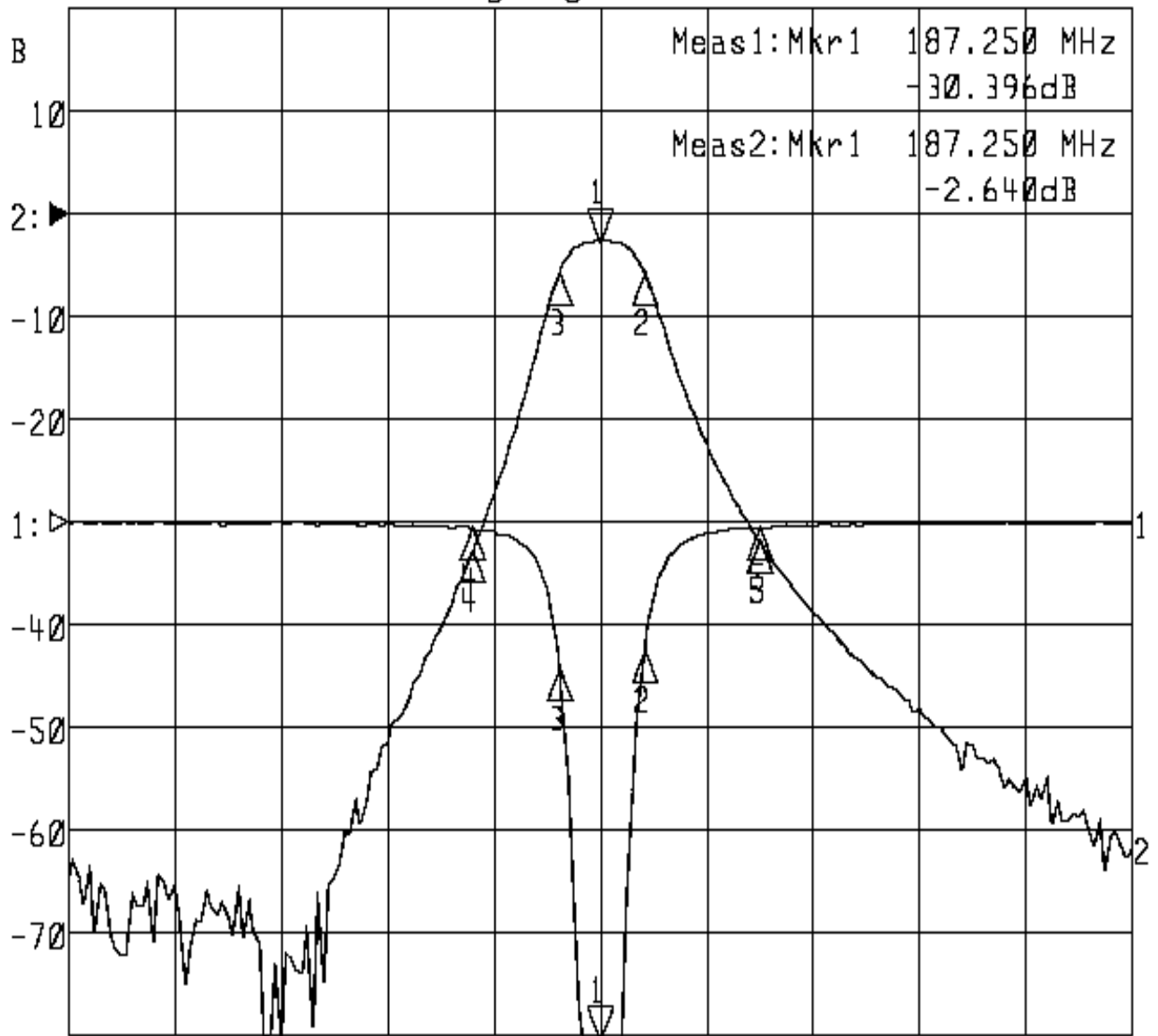
Approval	Supervisor	Designer	Aperture size
C.Y.Chang	C.S.Chang	Y.H.Yeh	7H3S(4*6.35F) 7H024LB4

TEMWELL CORPORATION

# Performace-TTL63256F-187.25M

## 200809129CD

▷1:S11 Refl Port1 Log Mag 5.0 dB/ Ref 0.00 dB C  
▶2:S21 Fwd Trans Log Mag 10.0 dB/ Ref 0.00 dB C



Center 187.250 MHz

Span 100.000 MHz

1: Mkr (MHz)	dB	2: Mkr (MHz)	dB
1> 187.2500	-30.396	1> 187.2500	-2.640
2: 191.4000	-6.298	2: 191.4000	-5.659
3: 183.4300	-7.166	3: 183.4300	-5.666
4: 175.2500	-0.297	4: 175.2500	-32.815
5: 202.2500	-0.263	5: 202.2500	-31.853