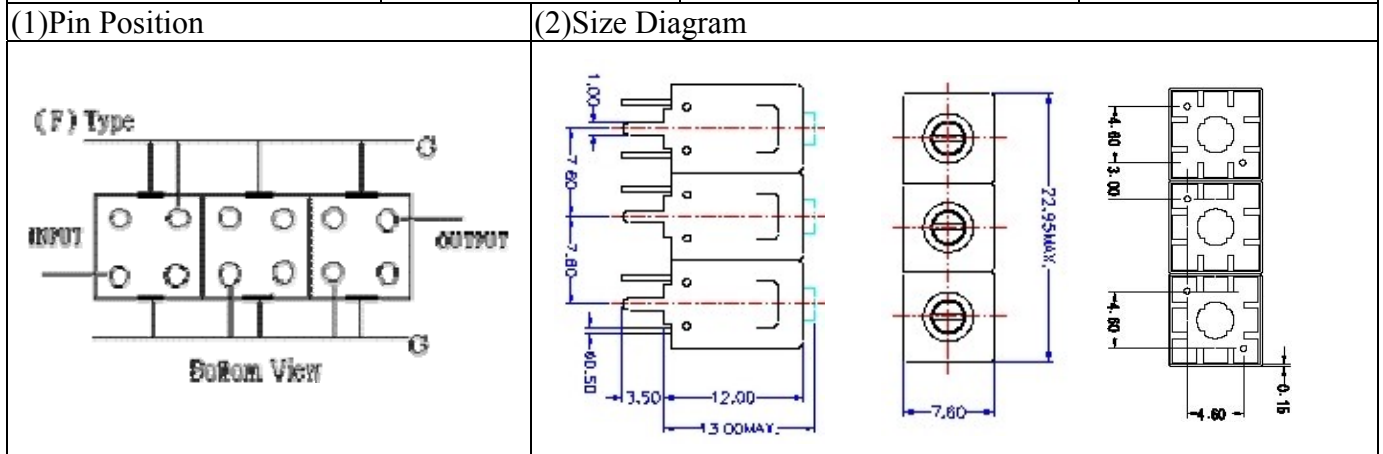


VHF UHF Helical Filter Specification Sheet

Customer Name		Temwell's Part No.	TTL63257F-193.25M
Approval No. /dated	0809130CD	Temwell's print name	63257F 193.25M
Work Instruction No.	200809130CD	Date	Oct.14.2008



(3) Electric Characteristic

Item	Specify	Performance
Center Freq.(Fo) +/- 0.5 %	193.25 MHz	193.25 MHz
Tunable Range:	193.25±2 MHz	193.25±2 MHz
Insertion Loss	Typ. 4.0 dB	3.11 dB
-3 dB Bandwidth	Typ. 6 MHz	7.2 MHz
Sensitivity (Attenuation)	Fo - 15 MHz	Typ. 32 dB
	Fo + 15 MHz	Typ. 24 dB
	Fo - ()MHz	Typ. dB
	Fo + ()MHz	Typ. dB
Return Loss	Min. 12 dB	37.8 dB
Ripple	< 1 dB	dB
Impedance	In / Out : 75 Ω	In / Out : 75 Ω

(4) Torque for Tuning Screw

(4) Torque for Tuning Screw	> 100gf · cm
-----------------------------	--------------

(5) Temperature Condition:

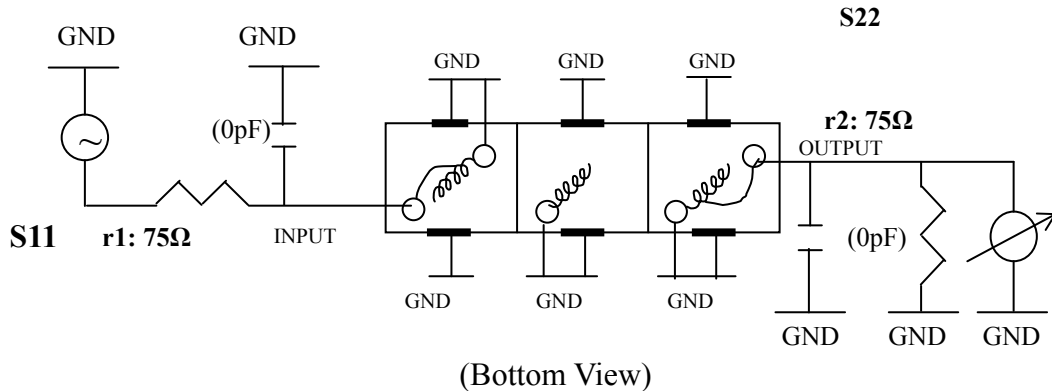
Operating Temperature	0°C ~ +60°C
-----------------------	-------------

Storage Temperature	-20°C ~ +70°C
---------------------	---------------

(6) Input Power

(6) Input Power	> 1Watt
-----------------	---------

(7) Measuring Circuit: ※Easy to match Impedance S11/S22 75Ω by parallel with about(0pF) / (0pF).



Approval C.Y.Chang	Supervisor C.S.Chang	Designer Y.H.Yeh	Aperture size 7H3S(4*5.5F) 7H024LB4
-----------------------	-------------------------	---------------------	---

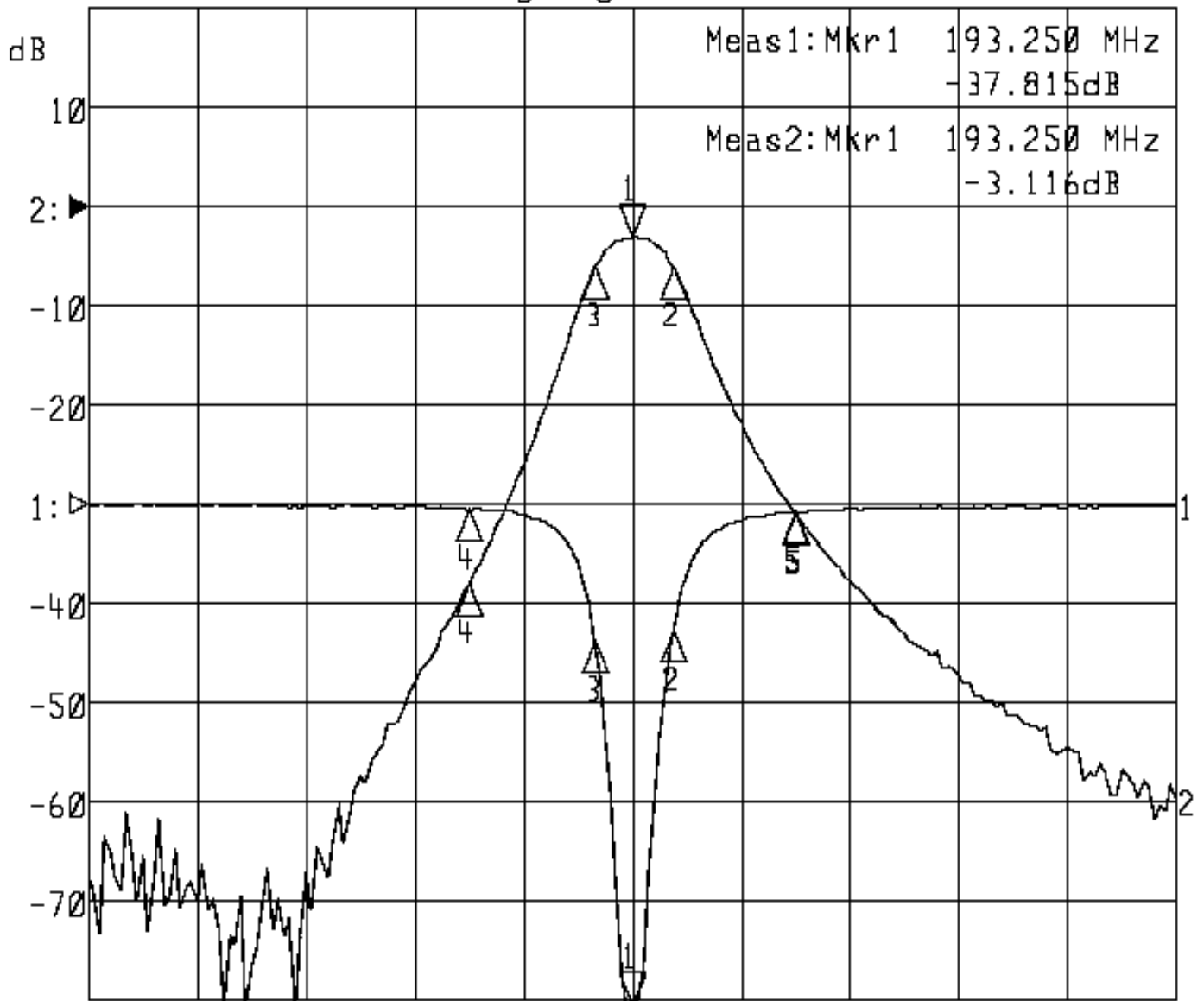
TEMWELL CORPORATION

Performace-TTL63257F-193.25M

200809130CD

▷1:S11 Refl Port1 Log Mag 5.0 dB/ Ref 0.00 dB C

▶2:S21 Fwd Trans Log Mag 10.0 dB/ Ref 0.00 dB C



Center 193.250 MHz

Span 100.000 MHz

1:Mkr (MHz)	dB	2:Mkr (MHz)	dB
1> 193.2500	-37.815	1> 193.2500	-3.116
2: 197.0167	-6.414	2: 197.0167	-6.086
3: 189.8167	-6.894	3: 189.8167	-6.069
4: 178.2500	-0.302	4: 178.2500	-38.113
5: 208.2500	-0.371	5: 208.2500	-30.976