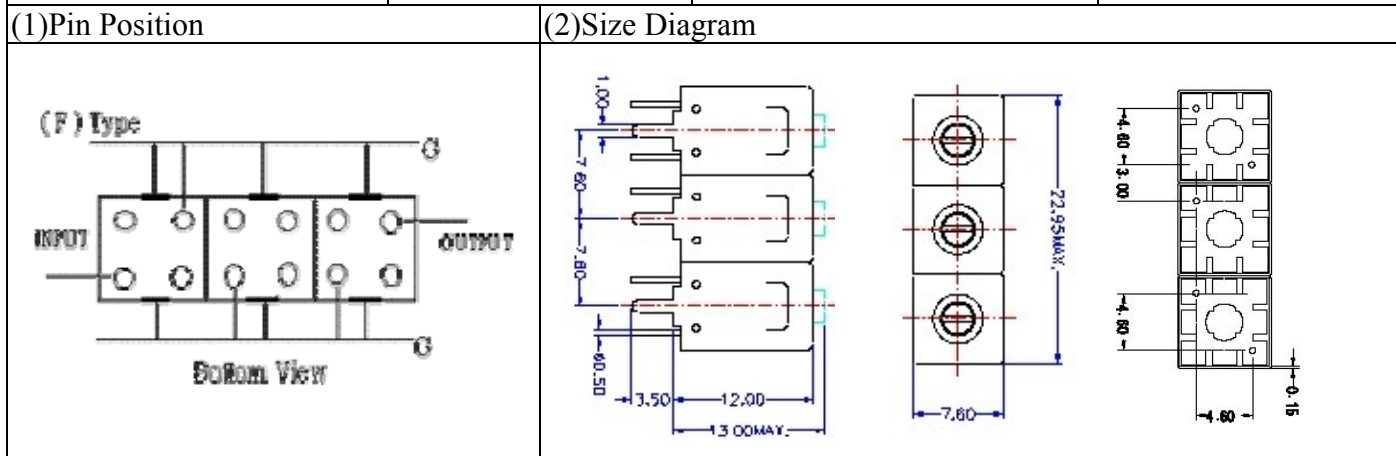


VHF UHF Helical Filter Specification Sheet

Customer Name		Temwell's Part No.	TTL63259F-205.25M
Approval No. /dated	0809132CD	Temwell's print name	63259F 205.25M
Work Instruction No.	200809132CD	Date	Oct.14.2008



(3) Electric Charasteric

Item	Specify	Performance
Center Freq.(Fo) +/- 0.5 %	205.25 MHz	205.25 MHz
Tunable Range:	205.25±4 MHz	205.25±4 MHz
Insertion Loss	Typ. 3.5 dB	2.57 dB
-3 dB Bandwidth	Typ. 6 MHz	7.4 MHz
Sensitivity (Attenuation)	Fo - 15 MHz	Typ. 33 dB
	Fo + 15 MHz	Typ. 28 dB
	Fo - ()MHz	Typ. dB
	Fo +()MHz	Typ. dB
Return Loss	Min. 12 dB	27.0 dB
Ripple	< 1 dB	dB
Impedance	In / Out : 75 Ω	In / Out : 75 Ω

(4) Torque for Tuning Screw

> 100gf · cm

(5) Temperature Condition:

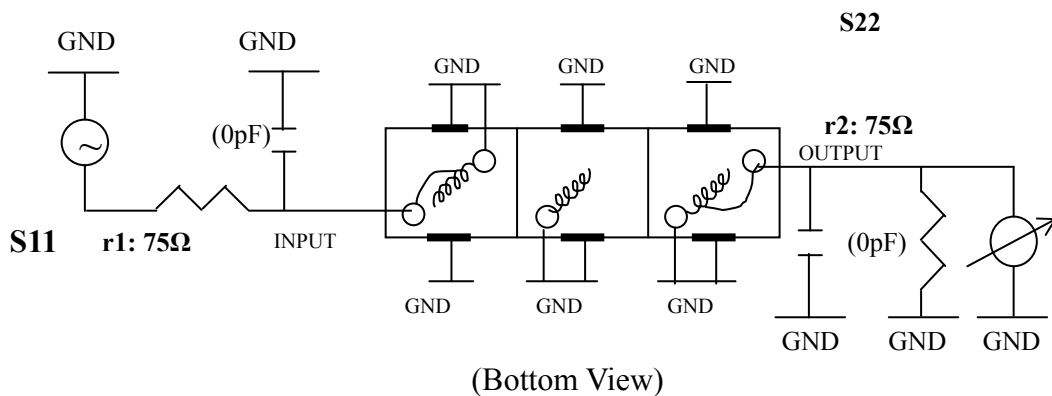
Operating Temperature 0°C ~ +60°C

Storage Temperature -20°C ~ +70°C

(6) Input Power

> 1Watt

(7) Measuring Circuit: ※Easy to match Impedance S11/S22 75Ω by parallel with about(0pF) / (0pF).



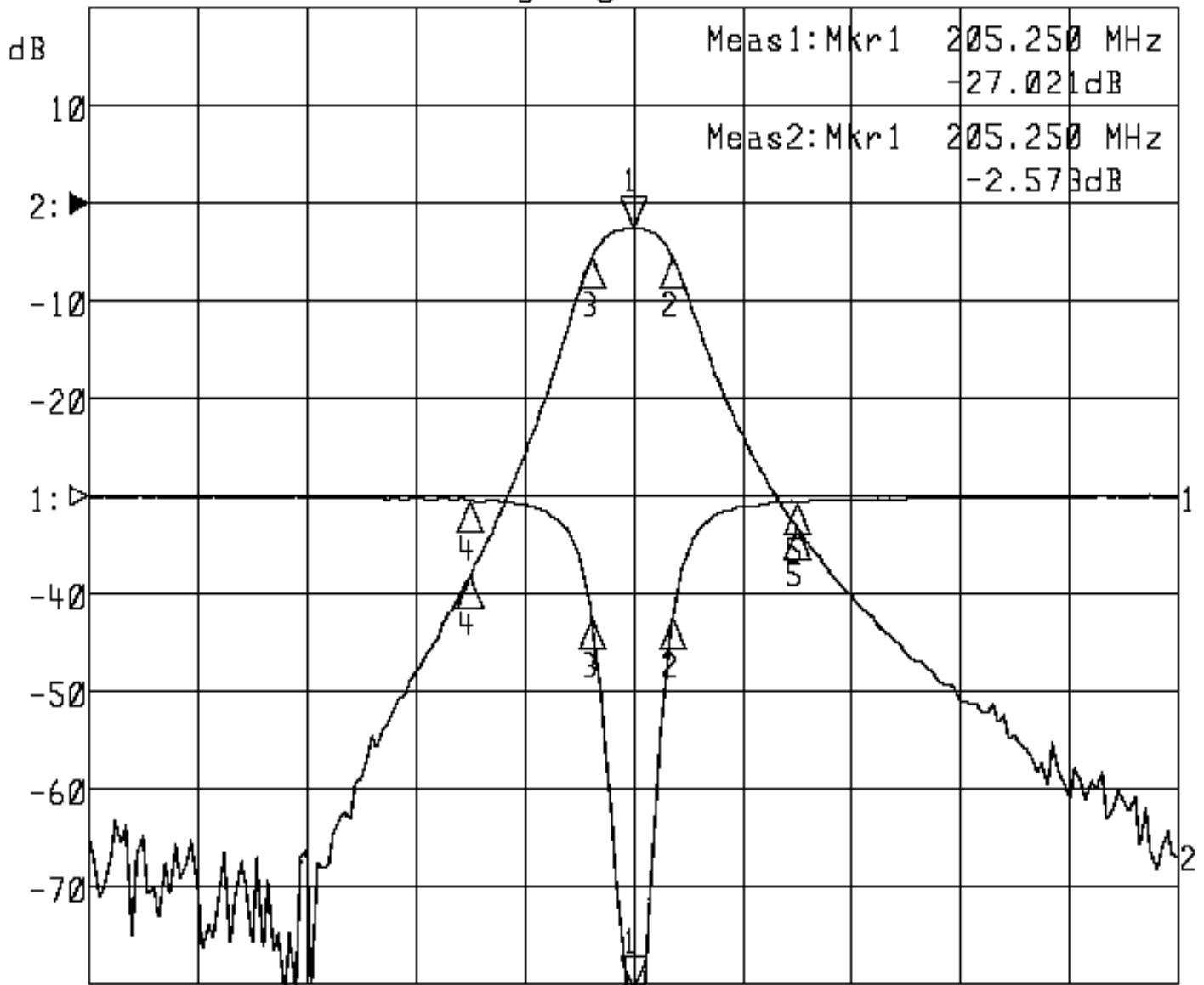
Approval C.Y.Chang	Supervisor C.S.Chang	Designer Y.H.Yeh	Aperture size 7H3S(4*5.5F) 7H024LB4
-----------------------	-------------------------	---------------------	---

TEMWELL CORPORATION

Performace-TTL63259F-205.25M

200809132CD

▽1:S11 Refl Port1 Log Mag 5.0 dB/ Ref 0.00 dB C
 ▼2:S21 Fwd Trans Log Mag 10.0 dB/ Ref 0.00 dB C



Center 205.250 MHz

Span 100.000 MHz

1: Mkr (MHz)	dB	2: Mkr (MHz)	dB
1> 205.2500	-27.021	1> 205.2500	-2.573
2: 208.8833	-6.192	2: 208.8833	-5.576
3: 201.4167	-6.224	3: 201.4167	-5.621
4: 190.2500	-0.237	4: 190.2500	-38.346
5: 220.2500	-0.319	5: 220.2500	-33.232