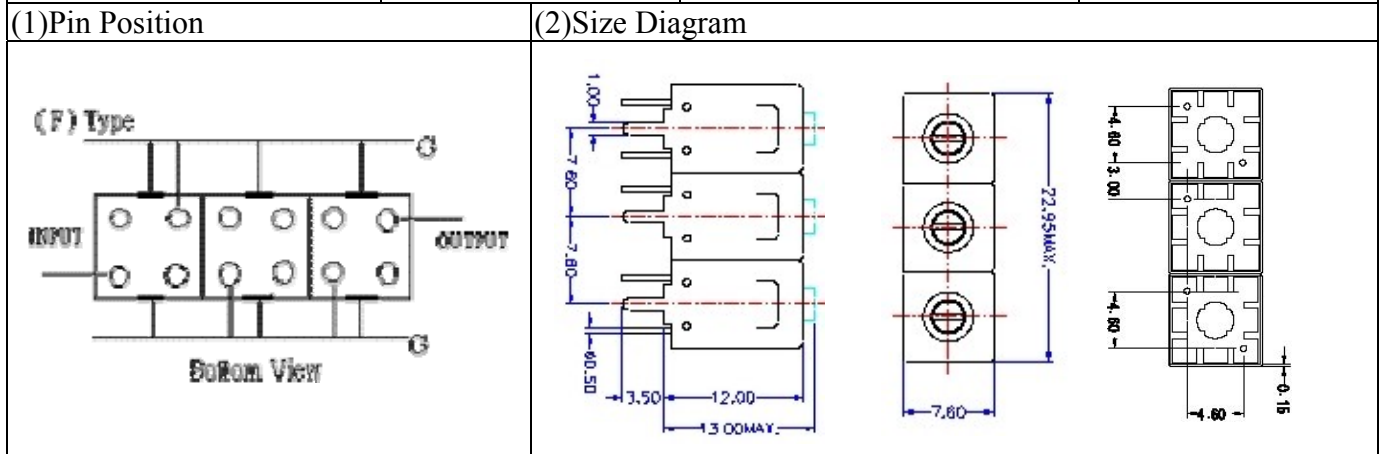
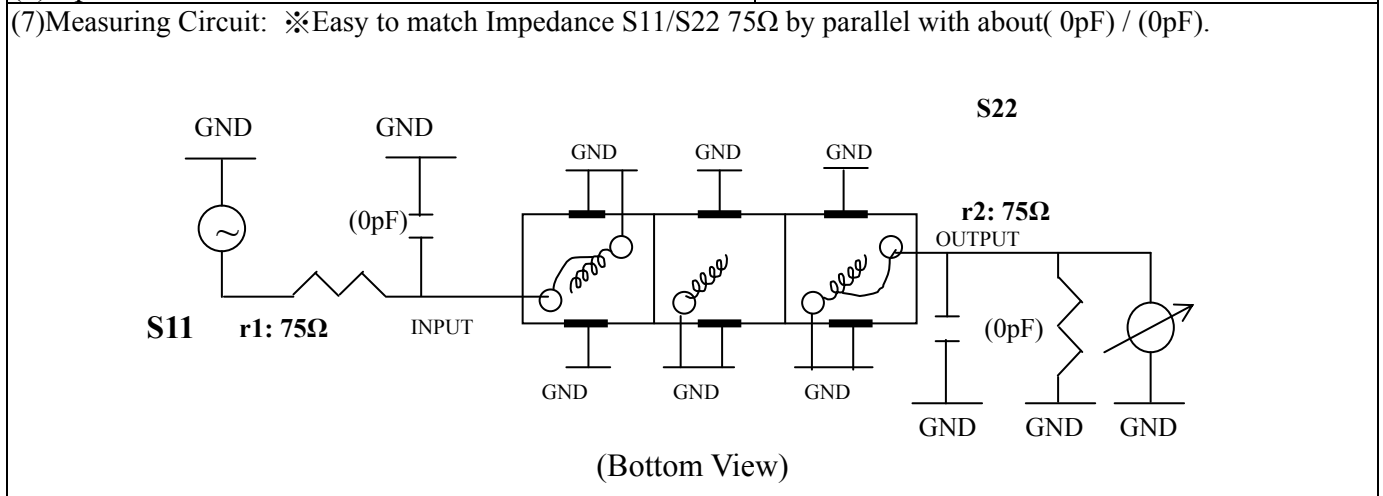


# VHF UHF Helical Filter Specification Sheet

|                      |             |                      |                   |
|----------------------|-------------|----------------------|-------------------|
| Customer Name        |             | Temwell's Part No.   | TTL63260F-211.25M |
| Approval No. /dated  | 0809133CD   | Temwell's print name | 63260F<br>211.25M |
| Work Instruction No. | 200809133CD | Date                 | Oct.14.2008       |



| (3) Electric Charasteric      |             |                 |                 |
|-------------------------------|-------------|-----------------|-----------------|
| Item                          |             | Specify         | Performance     |
| Center Freq.(Fo ) +/- 0.5 %   |             | 211.25 MHz      | 211.25 MHz      |
| Tunable Range:                |             | 211.25±4 MHz    | 211.25±4 MHz    |
| Insertion Loss                |             | Typ. 4.0 dB     | 2.76 dB         |
| -3 dB Bandwidth               |             | Typ. 6 MHz      | 7.8 MHz         |
| Sensitivity<br>(Attenuation ) | Fo - 15 MHz | Typ. 32 dB      | 35 dB           |
|                               | Fo + 15 MHz | Typ. 26 dB      | 29 dB           |
|                               | Fo - ( )MHz | Typ. dB         | dB              |
|                               | Fo + ( )MHz | Typ. dB         | dB              |
| Return Loss                   |             | Min. 12 dB      | 22.0 dB         |
| Ripple                        |             | < 1 dB          | dB              |
| Impedance                     |             | In / Out : 75 Ω | In / Out : 75 Ω |
| (4) Torque for Tuning Screw   |             |                 |                 |
|                               |             | > 100gf · cm    |                 |
| (5) Temperature Condition:    |             |                 |                 |
| Operating Temperature         |             | 0°C ~ +60°C     |                 |
| Storage Temperature           |             | -20°C ~ +70°C   |                 |
| (6) Input Power               |             | > 1Watt         |                 |



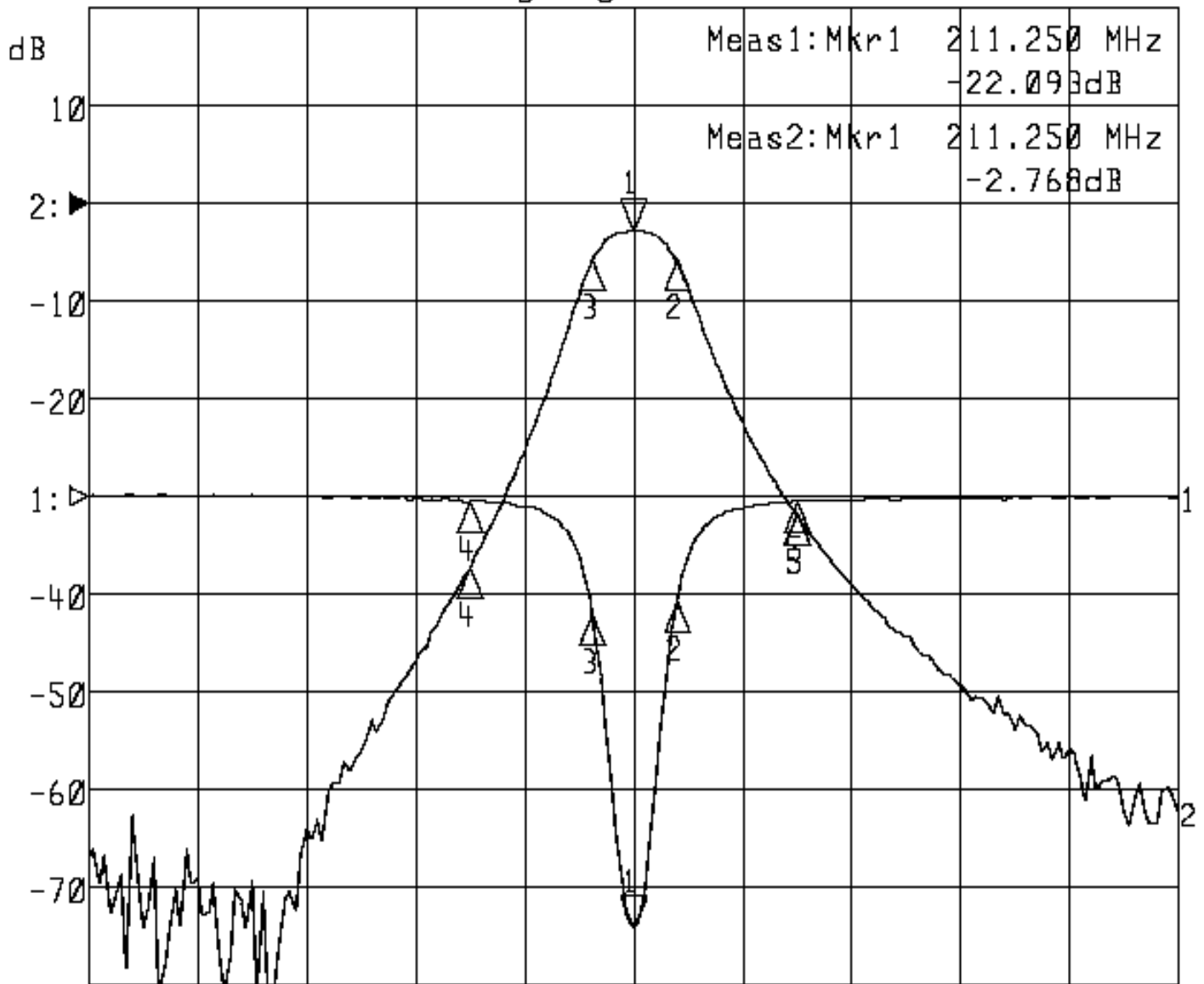
|                       |                         |                     |   |
|-----------------------|-------------------------|---------------------|---|
| Approval<br>C.Y.Chang | Supervisor<br>C.S.Chang | Designer<br>Y.H.Yeh | Aperture size<br>7H3S(4*5.5F)<br>7H024LB4 |
| TEMWELL CORPORATION   |                         |                     |   |

# Performace-TTL63260F-211.25M

## 200809133CD

▷1:S11 Refl Port1 Log Mag 5.0 dB/ Ref 0.00 dB C

▼2:S21 Fwd Trans Log Mag 10.0 dB/ Ref 0.00 dB C



Center 211.250 MHz

Span 100.000 MHz

| 1: Mkr (MHz) | dB      | 2: Mkr (MHz) | dB      |
|--------------|---------|--------------|---------|
| 1> 211.2500  | -22.093 | 1> 211.2500  | -2.768  |
| 2: 215.2167  | -5.393  | 2: 215.2167  | -5.858  |
| 3: 207.4833  | -6.005  | 3: 207.4833  | -5.846  |
| 4: 196.2500  | -0.272  | 4: 196.2500  | -37.329 |
| 5: 226.2500  | -0.200  | 5: 226.2500  | -31.810 |