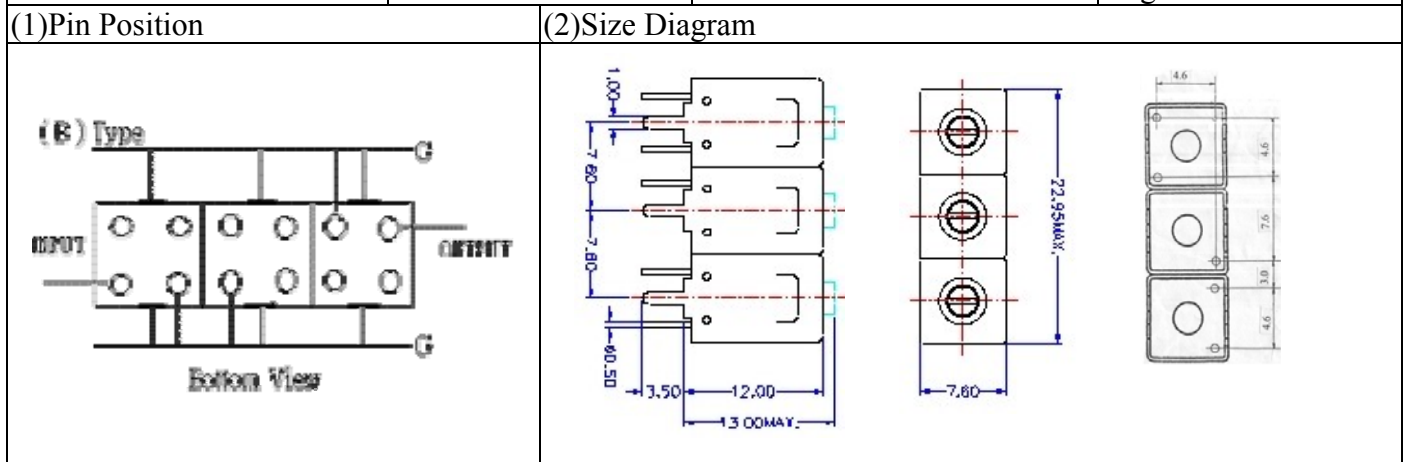


VHF UHF Helical Filter Specification Sheet

Customer Name		Temwell's Part No.	TTL6714B-159.5M
Approval No. /dated	20408023DC	Customer's Part No.	6714B 159.5M
Work Instruction No.	20408023DC	Date	Aug.20.2004



(3) Electric Characteristic

Item	Specify	Performance	
Center Freq.(Fo) +/- 0.5 %	159.5 MHz	159.5 MHz	
Tunable Range: <input checked="" type="checkbox"/> Fo±8MHz <input type="checkbox"/> Fo±10MHz <input type="checkbox"/> Fo±15MHz	159.5±2 MHz	159±2 MHz	
Insertion Loss	Typ. 4.0 dB	3.10 dB	
-3 dB Bandwidth	Typ. 7 MHz	8 MHz	
Sensitivity (Attenuation)	Fo - 10 MHz	Typ. 23 dBc	26 dBc
	Fo + 10 MHz	Typ. 17 dBc	20 dBc
	Fo - ()MHz	Typ. dBc	dBc
	Fo +()MHz	Typ. dBc	dBc
Return Loss	Min. 12 dB	24.5 dB	
Ripple	< 1 dB	dB	
Impedance	In / Out : 75 Ω	In / Out : 75 Ω	

(4) Torque for Tuning Screw

(4) Torque for Tuning Screw	> 100gf • cm
-----------------------------	--------------

(5) Temperature Condition:

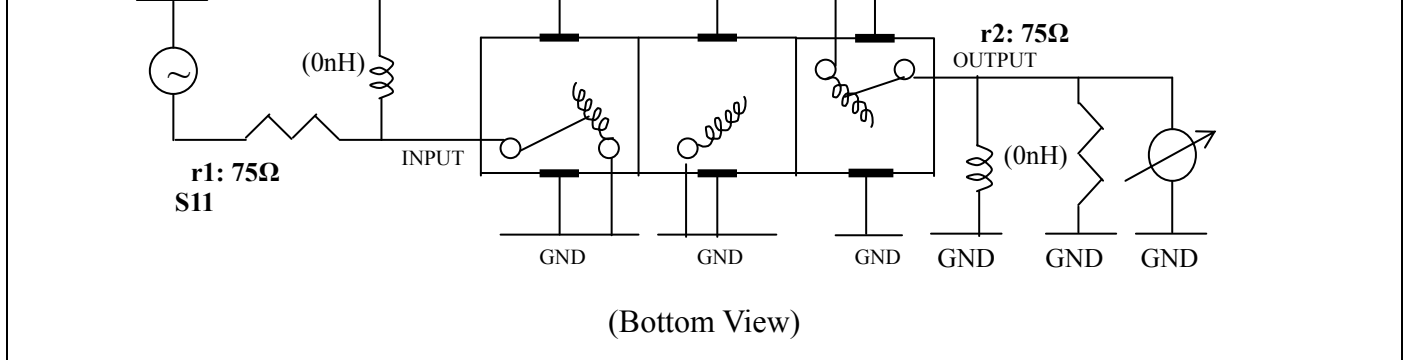
Operating Temperature	0°C ~ +60°C
-----------------------	-------------

Storage Temperature	-20°C ~ +70°C
---------------------	---------------

(6) Input Power

(6) Input Power	> 1Watt
-----------------	---------

(7) Measuring Circuit: ※Easy to match Impedance S11/S22 75Ω by parallel with about(0 nH) / (0 nH).



Approval C.S.Chang	Supervisor C.S.Chang	Designer J.F.Lin	Aperture size 7H3S(4*5.5)(5.62)F 7H00LB4
-----------------------	-------------------------	---------------------	--

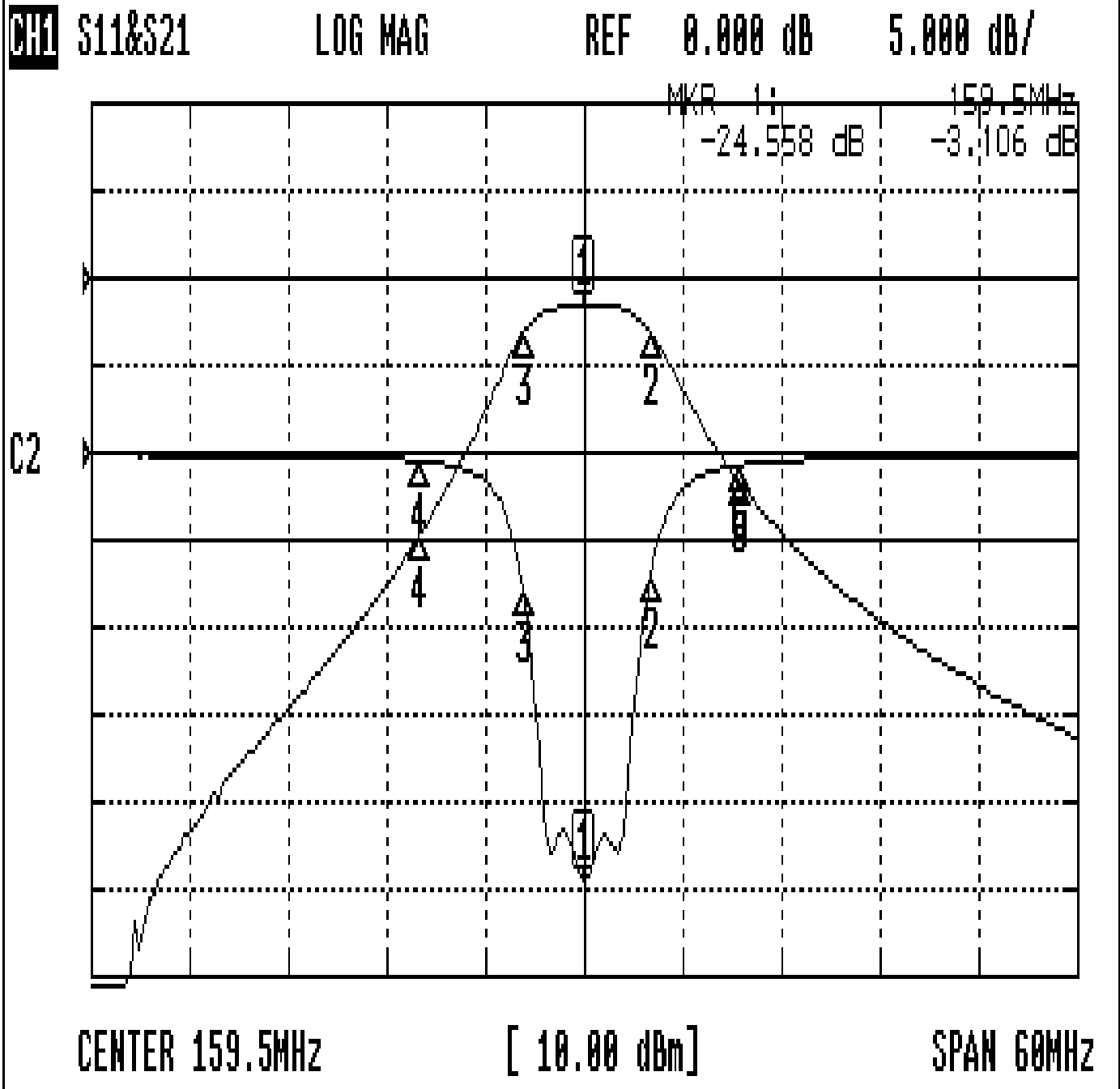
TEMWELL CORPORATION

TEMWELL

Form10-7H3B Vision D

Performance- TTL6714B-159.5M

20408023DC



CH1 MARKER LIST

1:	159.500MHz	-24.558 dB	-3.106 dB
2:	163.550MHz	-7.112 dB	-6.179 dB
3:	155.850MHz	-8.105 dB	-6.101 dB
4:	149.500MHz	-0.461 dB	-29.506 dB
5:	169.000MHz	-0.700 dB	-23.466 dB