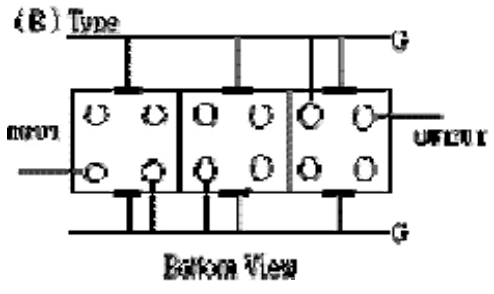
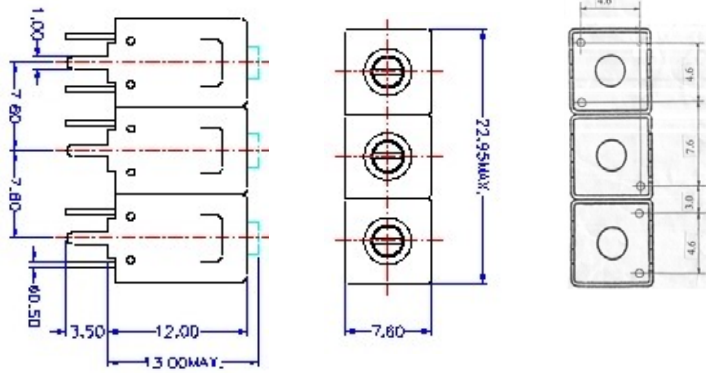


# VHF UHF Helical Filter Specification Sheet

Customer Name		Temwell's Part No.	TTL67205B-140M
Approval No. /dated	20211004B	Acceptable Specify Fo. Range	126~145MHz
Work Instruction No.	20211004B	Date	June.13.2002

<p>(1) Pin Position</p> 	<p>(2) Size Diagram</p> 
---	--

(3) Electric Character

Item	Specify	Performance	
Center Freq.(Fo) +/- 0.5 %	140 MHz	140 MHz	
Tunable Range	140±2 MHz	140±2 MHz	
Insertion Loss	Typ. 3.5 dB	2.4 dB	
-3 dB Bandwidth	Typ. 10 MHz	11 MHz	
Sensitivity (Attenuation)	Fo - 10 MHz	Typ. 17 dBc	20 dBc
	Fo + 10 MHz	Typ. 13 dBc	16 dBc
	Fo - ( )MHz	Typ. dBc	dBc
	Fo +( )MHz	Typ. dBc	dBc
Return Loss	Min. 12 dB	34.7 dB	
Ripple	< 1 dB	dB	
Impedance	In / Out : 75 Ω	In / Out : 75 Ω	
(4) Torque for Tuning Screw	> 100gf · cm		

(5) Temperature Condition:

Operating Temperature	0°C ~ +60°C
Storage Temperature	-20°C ~ +70°C

(6) Input Power

	> 1Watt
--	---------

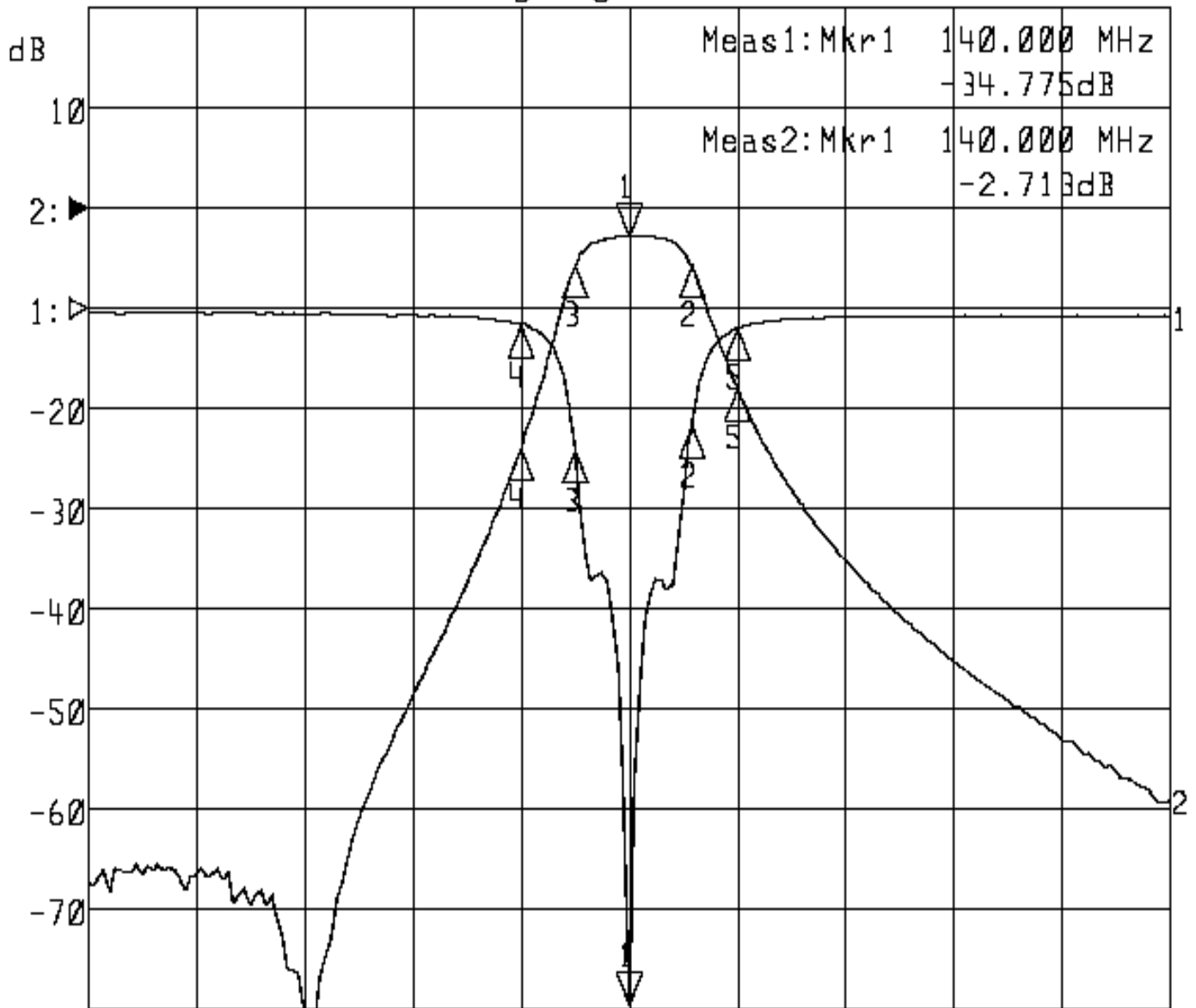
Approval	Supervisor	Designer	Aperture size
C.Y. Chang	C.S. Chang	C.S. Chang	7H3S(4*7.5)F 7H00LB4

TEMWELL CORPORATION

# Performance-TTL67205B-140M

## 20211004B

▷1:S11 Refl Port1 Log Mag 5.0 dB/ Ref 0.00 dB C  
▶2:S12 Rev Trans Log Mag 10.0 dB/ Ref 0.00 dB C



Center 140.000 MHz

Span 100.000 MHz

1:Mkr (MHz)	dB	2:Mkr (MHz)	dB
1> 140.0000	-34.775	1> 140.0000	-2.713
2: 145.7333	-5.909	2: 145.7333	-5.752
3: 135.0333	-7.120	3: 135.0333	-5.761
4: 130.0000	-0.815	4: 130.0000	-23.997
5: 150.0000	-0.977	5: 150.0000	-17.936