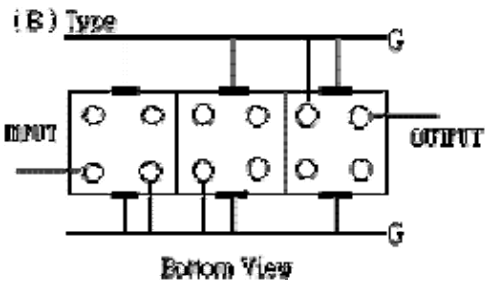
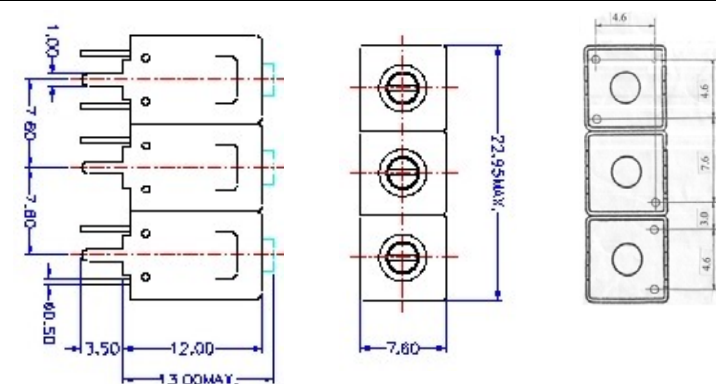


VHF UHF Helical Filter Specification Sheet

Customer Name		Temwell's Part No.	TTL67226B-145M
Approval No. /dated	20209004DC	Acceptable Specify Fo. Range	126~145MHz
Work Instruction No.	20209004DC	Date	Sep.03.2002

<p>(1) Pin Position</p>  <p style="text-align: center;">Bottom View</p>	<p>(2) Size Diagram</p> 
--	--

(3) Electric Character

Item	Specify	Performance
Center Freq.(Fo) +/- 0.5 %	145 MHz	145 MHz
Tunable Range	145±2 MHz	145±2 MHz
Insertion Loss	Typ. 2.0 dB	1.1 dB
-3 dB Bandwidth	Typ. 30 MHz	31 MHz
Sensitivity (Attenuation)	Fo - 50 MHz	Typ. 44 dBc
	Fo + 50 MHz	Typ. 25 dBc
	Fo - ()MHz	Typ. dBc
	Fo +()MHz	Typ. dBc
Return Loss	Min. 12 dB	30.3 dB
Ripple	< 1 dB	dB
Impedance	In / Out : 75 Ω	In / Out : 75 Ω

(4) Torque for Tuning Screw > 100gf · cm

(5) Temperature Condition:

Operating Temperature	0°C ~ +60°C
Storage Temperature	-20°C ~ +70°C

(6) Input Power > 1Watt

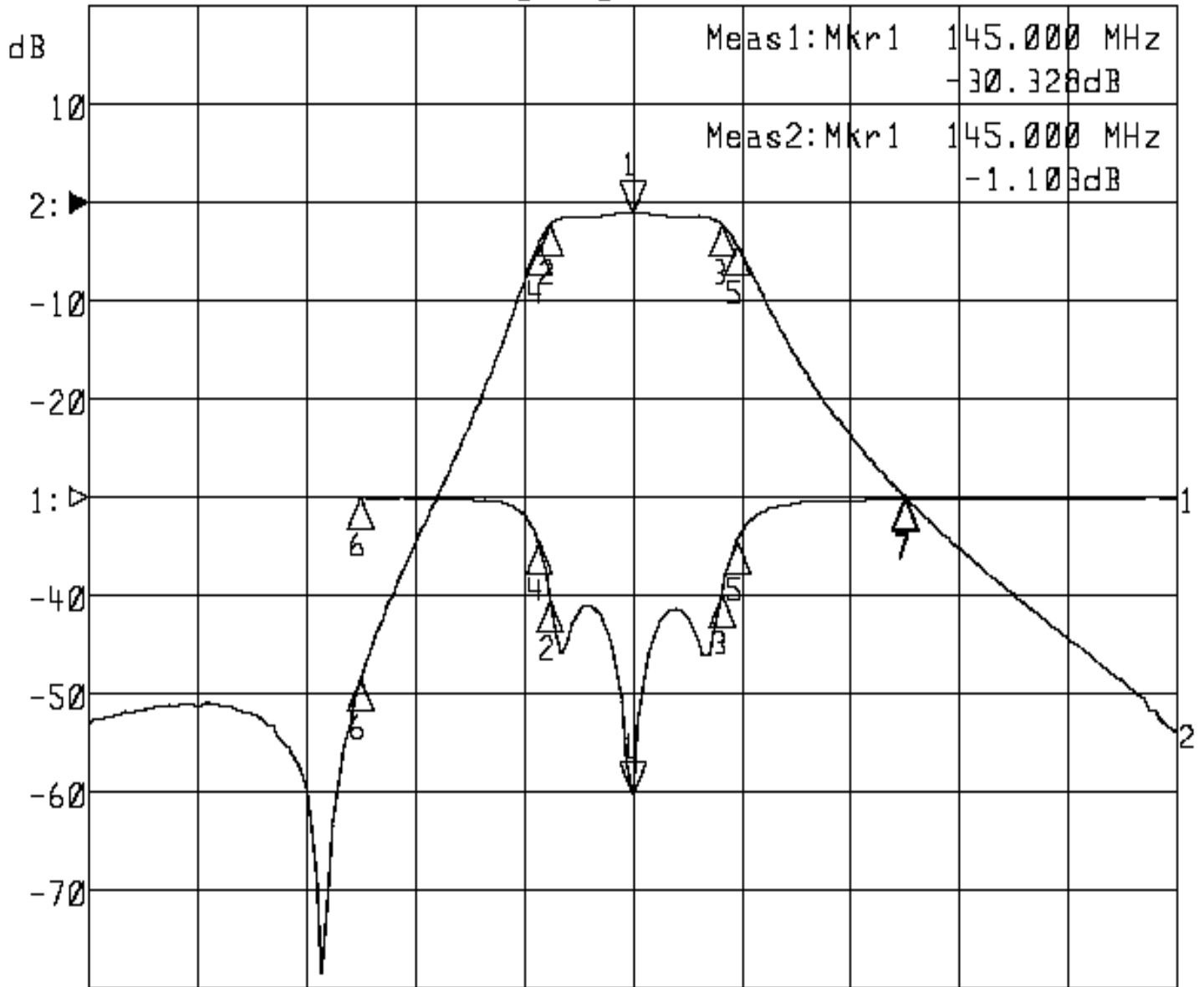
Approval	Supervisor	Designer	Aperture size
C.Y. Chang	C.S. Chang	C.S. Chang	7H3S(4*8.0)F 7H00LB6

TEMWELL CORPORATION

Performance-TTL67226B-145M

20209004DC

▶1: S11 Refl Port1 Log Mag 10.0 dB/ Ref 0.00 dB C
 ▶2: S21 Fwd Trans Log Mag 10.0 dB/ Ref 0.00 dB C



Center 145.000 MHz

Span 200.000 MHz

1: Mkr (MHz)	dB	2: Mkr (MHz)	dB
1> 145.0000	-30.328	1> 145.0000	-1.103
2: 130.0000	-10.460	2: 130.0000	-2.134
3: 161.2000	-10.085	3: 161.2000	-2.139
4: 127.7333	-4.613	4: 127.7333	-4.169
5: 164.0667	-4.498	5: 164.0667	-4.163
6: 95.0000	-0.119	6: 95.0000	-48.549
7: 195.0000	-0.187	7: 195.0000	-29.889