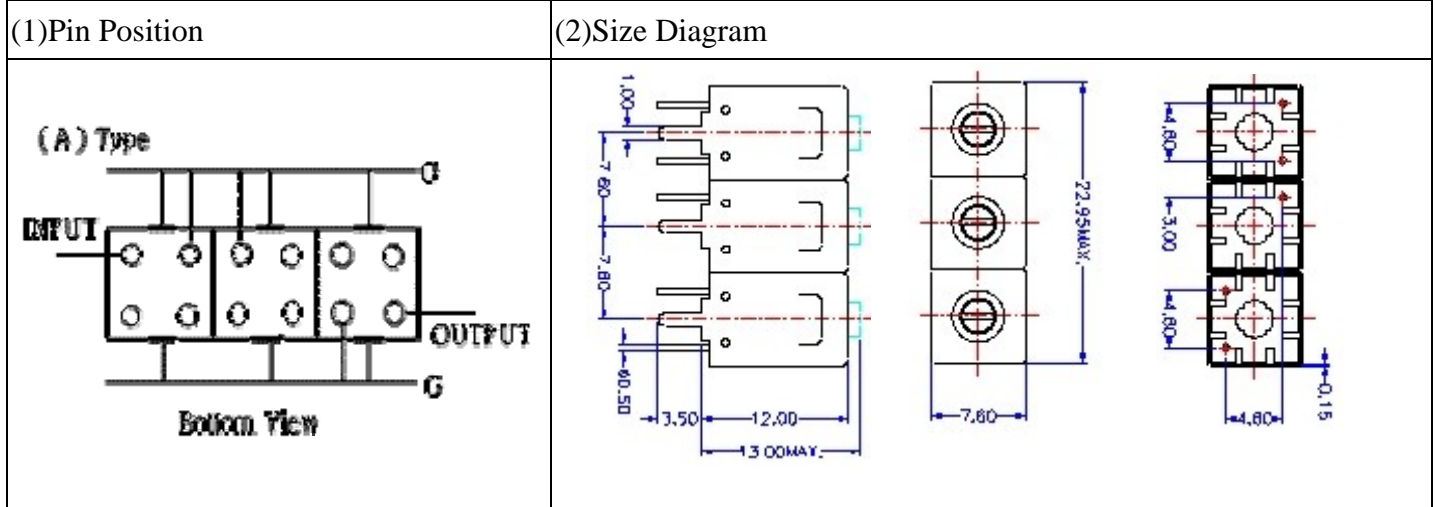


VHF UHF Helical Filter Specification Sheet

Customer Name		Temwell's Part No.	TTL67296A-260M
Approval No. /dated	20209007DC	Acceptable Specify Fo. Range	246~275MHz
Work Instruction No.	20209007DC	Date	Sep.06.2002



(3) Electric Character

Item	Specify	Performance	
Center Freq.(Fo) +/- 0.5 %	260 MHz	260 MHz	
Tunable Range	260±4 MHz	260±4 MHz	
Insertion Loss	Typ. 1.5 dB	0.8 dB	
-3 dB Bandwidth	Typ. 40 MHz	42 MHz	
Sensitivity (Attenuation)	Fo - 60 MHz	Typ. 39 dBc	41 dBc
	Fo + 60 MHz	Typ. 20 dBc	23 dBc
	Fo - ()MHz	Typ. dBc	dBc
	Fo +()MHz	Typ. dBc	dBc
Return Loss	Min. 12 dB	18.3 dB	
Ripple	< 1 dB	dB	
Impedance	In / Out : 75 Ω	In / Out : 75 Ω	
(4) Torque for Tuning Screw	> 100gf • cm		

(5) Temperature Condition:

Operating Temperature	0°C ~ +60°C
Storage Temperature	-20°C ~ +70°C
(6) Input Power	> 1Watt

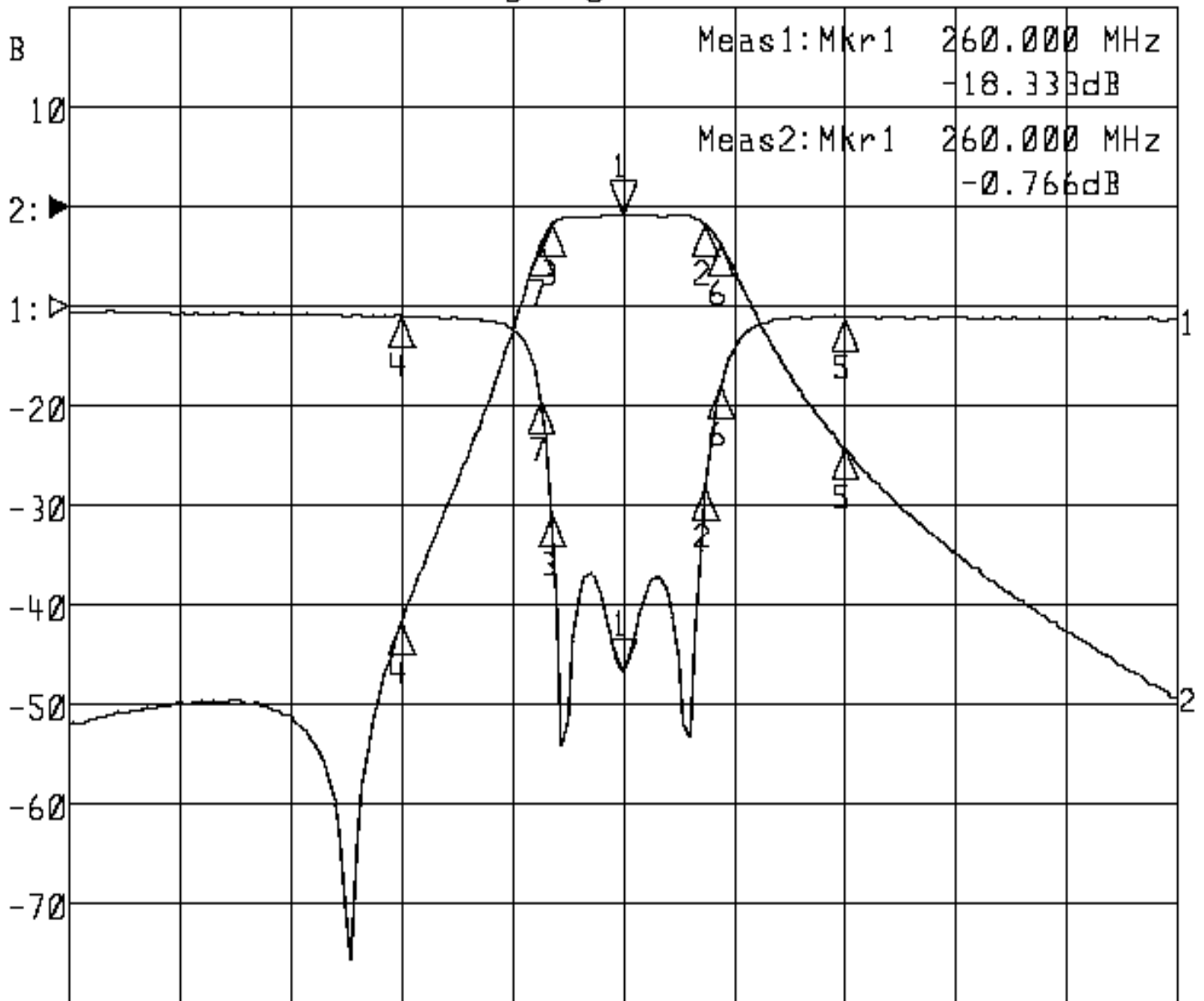
Approval	Supervisor	Designer	Aperture size
C.Y. Chang	C.S. Chang	J.F. Lin	7H3S(4*8.0)F 7H046LB6

TEMWELL CORPORATION

Performance-TTL67296A-260M

20209007DC

▶1:S11 Refl Port1 Log Mag 5.0 dB/ Ref 0.00 dB C
▶2:S12 Rev Trans Log Mag 10.0 dB/ Ref 0.00 dB C



Center 260.000 MHz

Span 300.000 MHz

1:Mkr (MHz)	dB	2:Mkr (MHz)	dB
1> 260.0000	-18.333	1> 260.0000	-0.766
2: 282.4000	-9.093	2: 282.4000	-1.719
3: 240.7333	-10.517	3: 240.7333	-1.760
4: 200.0000	-0.492	4: 200.0000	-41.727
5: 320.0000	-0.598	5: 320.0000	-24.373
6: 286.5000	-3.978	6: 286.5000	-3.755
7: 237.8000	-4.745	7: 237.8000	-3.744