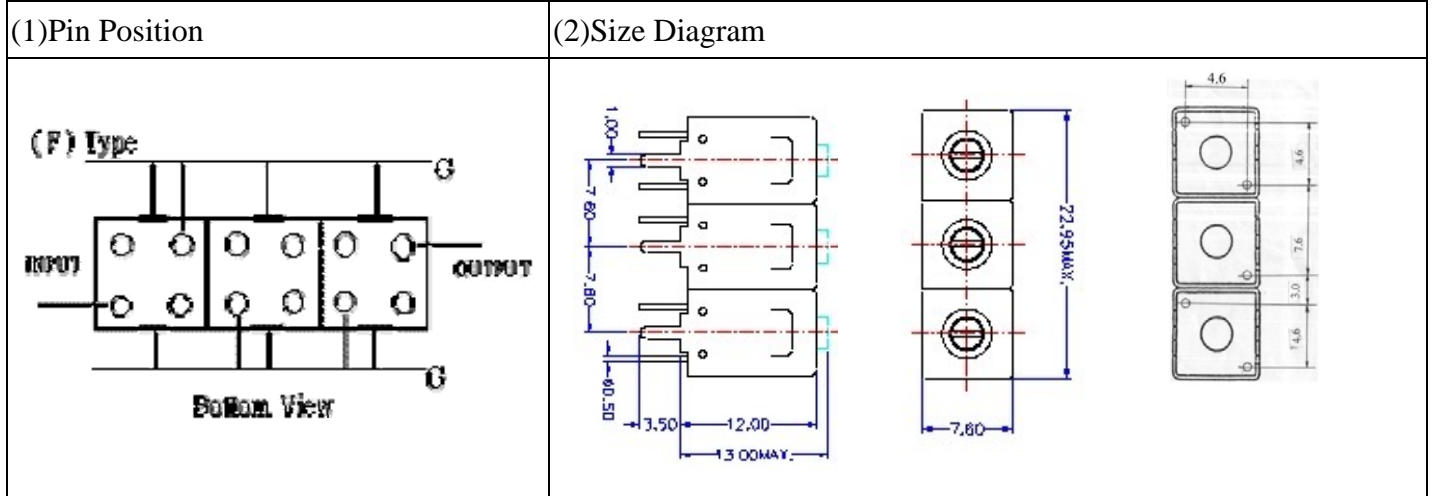


# VHF UHF Helical Filter Specification Sheet

Customer Name		Temwell's Part No.	TTL67361F-220M
Approval No. /dated	20209006DC	Acceptable Specify Fo. Range	196~220MHz
Work Instruction No.	20209006DC	Date	Sep.04.2002

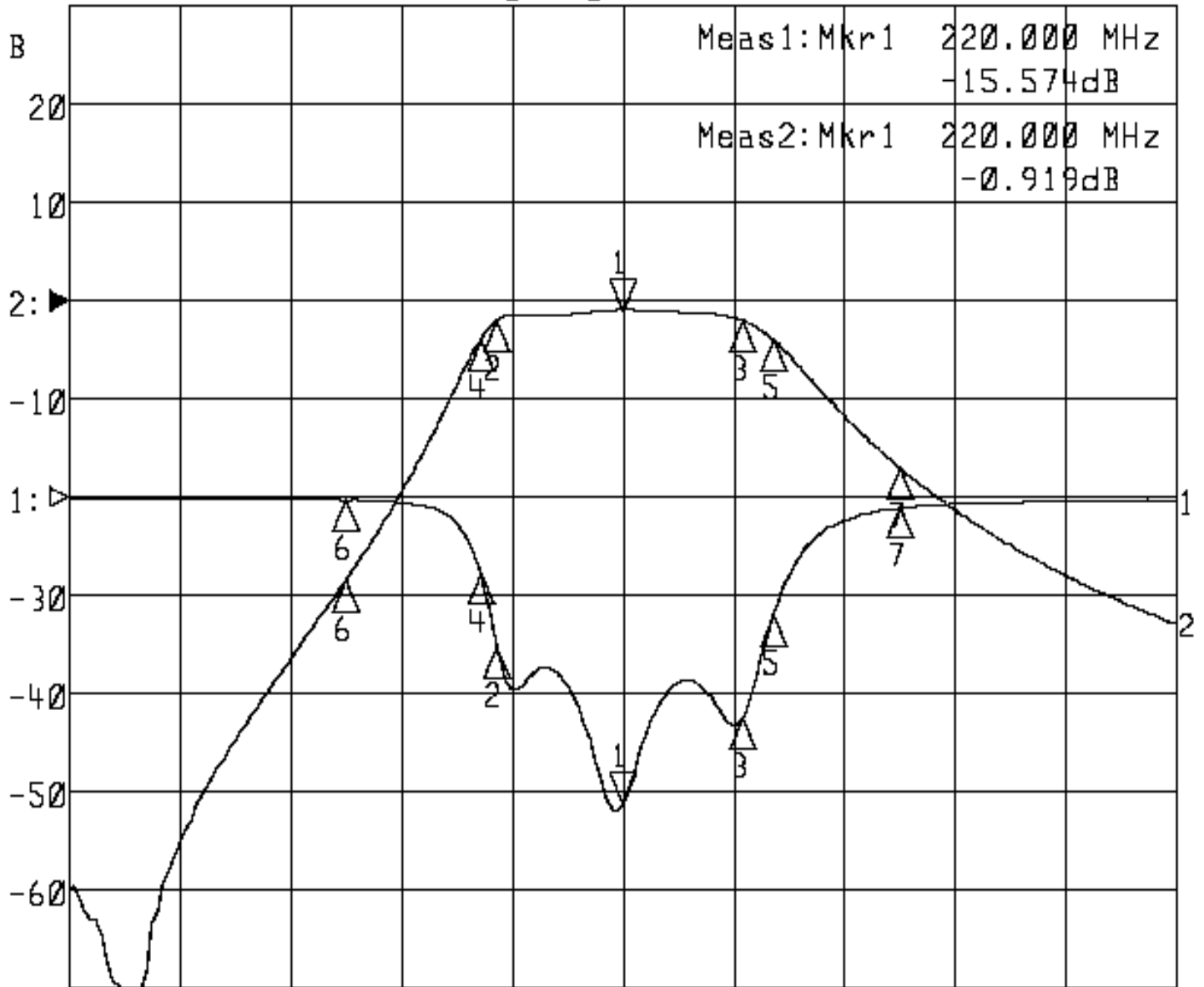


(3) Electric Character			
Item	Specify	Performance	
Center Freq.(Fo) +/- 0.5 %	220 MHz	220 MHz	
Tunable Range	220±4 MHz	220±4 MHz	
Insertion Loss	Typ. 2.0 dB	0.9 dB	
-3 dB Bandwidth	Typ. 43 MHz	44 MHz	
Sensitivity (Attenuation)	Fo - 50 MHz	Typ. 24 dBc	27 dBc
	Fo + 50 MHz	Typ. 13 dBc	16 dBc
	Fo - ( )MHz	Typ. dBc	dBc
	Fo +( )MHz	Typ. dBc	dBc
Return Loss	Min. 12 dB	15.5 dB	
Ripple	< 1 dB	dB	
Impedance	In / Out : 75 Ω	In / Out : 75 Ω	
(4) Torque for Tuning Screw		> 100gf • cm	
(5) Temperature Condition:			
Operating Temperature		0°C ~ +60°C	
Storage Temperature		-20°C ~ +70°C	
(6) Input Power		> 1Watt	
Approval	Supervisor	Designer	Aperture size
C.Y.Chang	C.S.Chang	C.S.Chang	7H3S(4*8.5)F 7H00LB6
TEMWELL CORPORATION			

# Performance-TTL67361F-220M

## 20209006DC

►1:S22 Refl Port2 Log Mag 5.0 dB/ Ref 0.00 dB C  
►2:S21 Fwd Trans Log Mag 10.0 dB/ Ref 0.00 dB C



Center 220.000 MHz

Span 200.000 MHz

1:Mkr (MHz)	dB	2:Mkr (MHz)	dB
1> 220.0000	-15.574	1> 220.0000	-0.919
2: 197.4000	-7.627	2: 197.4000	-1.919
3: 241.4667	-11.298	3: 241.4667	-1.949
4: 194.2667	-3.838	4: 194.2667	-3.945
5: 247.1333	-6.035	5: 247.1333	-3.942
6: 170.0000	-0.174	6: 170.0000	-28.443
7: 270.0000	-0.557	7: 270.0000	-16.983