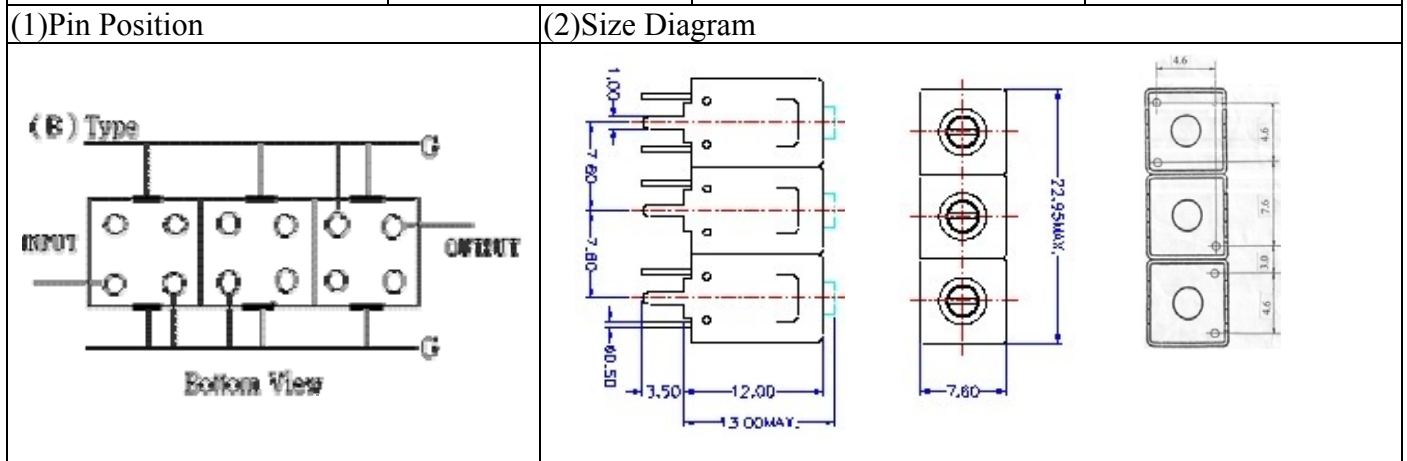


VHF UHF Helical Filter Specification Sheet

Customer Name		Temwell's Part No.	TTL67421B1-66.5M
Approval No. /dated	20502040APR	Temwell's print name.	
Work Instruction No.	20502040DB	Date	Feb.23.2005



(3) Electric Charasteric

Item	Specify	Performance	
Center Freq.(Fo) +/- 0.5 %	66.5 MHz	66.5 MHz	
Tunable Range: <input checked="" type="checkbox"/> Fo±5MHz <input type="checkbox"/> Fo±10MHz <input type="checkbox"/> Fo±15MHz	66.5±2 MHz	66.5±2 MHz	
Insertion Loss	Typ. 3.0 dB	1.78 dB	
-3 dB Bandwidth	Typ. 9 MHz	10 MHz	
Sensitivity (Attenuation)	Fo - 20 MHz	Typ. 50 dBc	53 dBc
	Fo + 20 MHz	Typ. 38 dBc	41 dBc
	Fo - ()MHz	Typ. dBc	dBc
	Fo +()MHz	Typ. dBc	dBc
Return Loss	Min. 12 dB	29.7 dB	
Ripple	< 1 dB	dB	
Impedance	In / Out : 75 Ω	In / Out : 75 Ω	

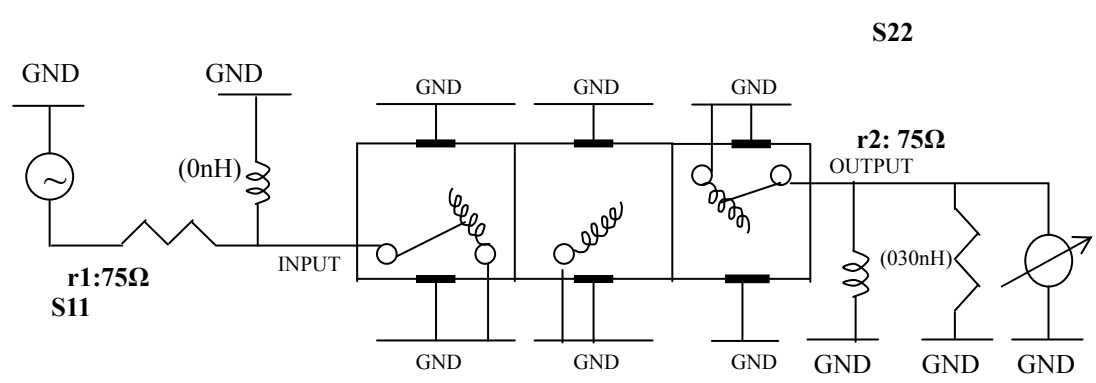
(4) Torque for Tuning Screw > 100gf • cm

(5) Temperature Condition:

Operating Temperature	0°C ~ +60°C
Storage Temperature	-20°C ~ +70°C

(6) Input Power > 1Watt

(7) Measuring Circuit: ※Easy to match Impedance S11/S22//75Ω by parallel with about (0 nH) / (0~30 nH).



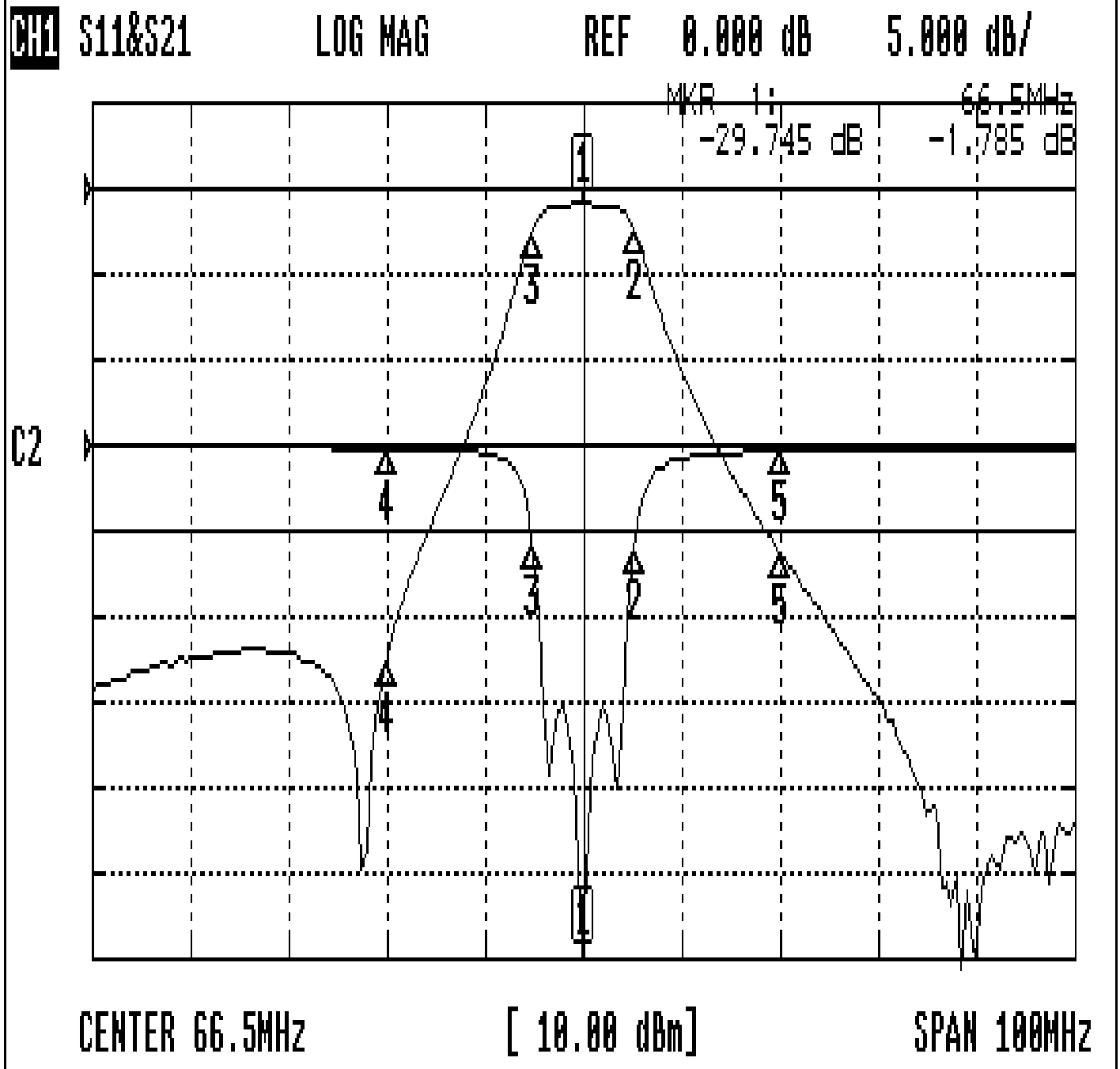
(Bottom View)

Approval	Supervisor	Designer	Aperture size
	C.S.Chang	C.S.Chang	7H3(4*6.5)(6.59)F 7H00LB6

TEMWELL CORPORATION

Performance-TTL67421B1-66.5M

20502040DB



CH1 MARKER LIST

1:	66.500MHz	-29.745 dB	-1.785 dB
2:	71.666MHz	-6.886 dB	-4.866 dB
3:	61.416MHz	-6.828 dB	-4.783 dB
4:	46.500MHz	-8.172 dB	-55.140 dB
5:	86.500MHz	-8.346 dB	-42.382 dB