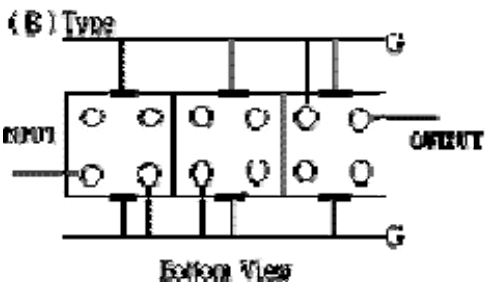
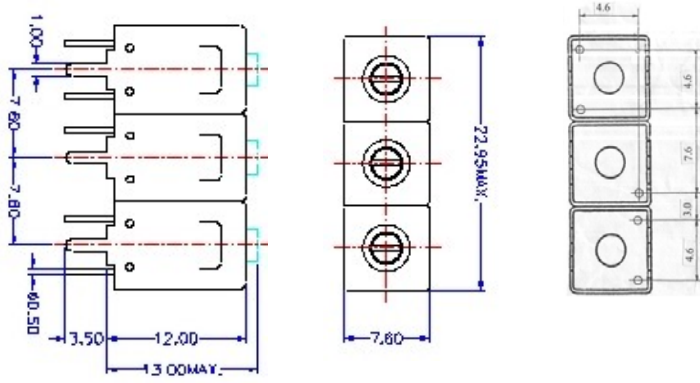


VHF UHF Helical Filter Specification Sheet

Customer Name		Temwell's Part No.	TTL67452B-332.5M
Approval No. /dated	20311008DB	Acceptable Specify Fo.Range	311~355MHz
Work Instruction No.	20311008DB	Date	Nov.14.2003

<p>(1) Pin Position</p>  <p style="text-align: center;">Bottom View</p>	<p>(2) Size Diagram</p> 
--	--

(3) Electric Characteristic

Item	Specify	Performance
Center Freq.(Fo) +/- 0.5 %	332.5 MHz	332.5 MHz
Tunable Range:	332.5±4 MHz	332.5±4 MHz
Insertion Loss	Typ. 4.0 dB	3.2 dB
-3 dB Bandwidth	Typ. 7 MHz	9 MHz
Sensitivity (Attenuation)	Fo - 10 MHz	Typ. 16 dBc
	Fo + 10 MHz	Typ. 14 dBc
	Fo - ()MHz	Typ. dBc
	Fo + ()MHz	Typ. dBc
Return Loss	Min. 12 dB	28 dB
Ripple	< 1 dB	dB
Impedance	In / Out : 75 Ω	In / Out : 75 Ω
(4) Torque for Tuning Screw	> 100gf · cm	

(5) Temperature Condition:

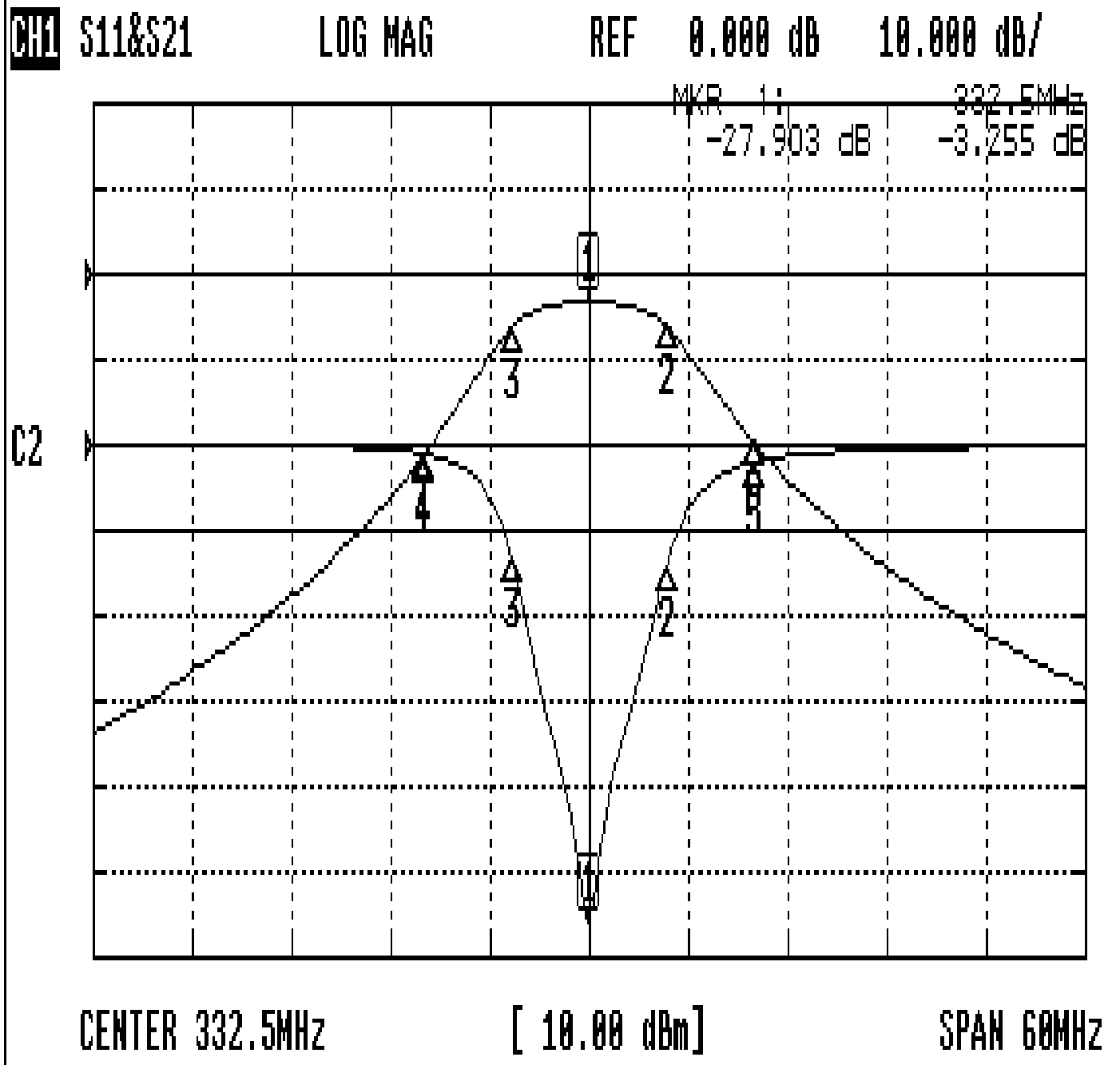
Operating Temperature	0°C ~ +60°C
Storage Temperature	-20°C ~ +70°C
(6) Input Power	> 1Watt

Approval	Supervisor	Designer	Aperture size
C. Y. Chang	C.S.Chang	C. S. Chang	7H3S(4*5.5) 7H046LB4 聚 3

TEMWELL CORPORATION

Performance-TTL67452B-332.5M

20311008DB



CH1 MARKER LIST

1:	332.500MHz	-27.903 dB	-3.255 dB
2:	337.250MHz	-6.916 dB	-6.268 dB
3:	327.850MHz	-6.612 dB	-6.211 dB
4:	322.500MHz	-0.519 dB	-21.174 dB
5:	342.500MHz	-0.966 dB	-19.753 dB