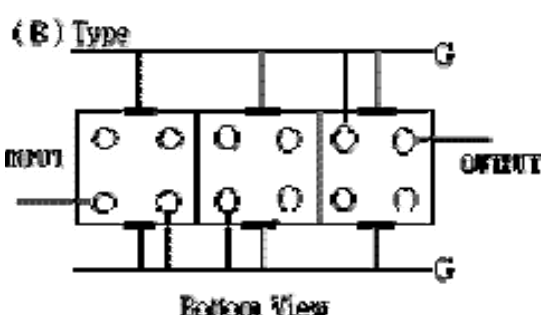
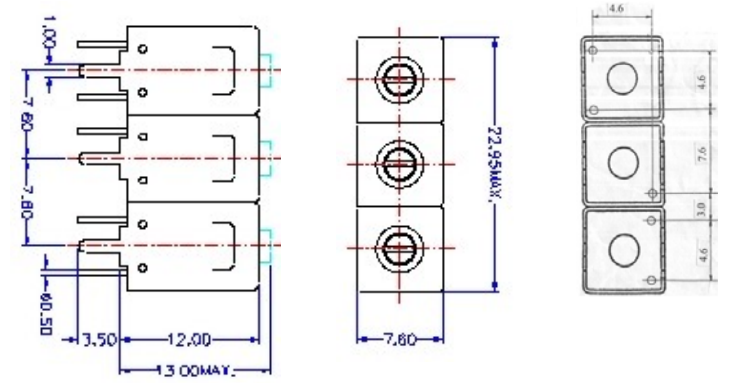


VHF UHF Helical Filter Specification Sheet

Customer Name		Temwell's Part No.	TTL67540B-115M
Approval No. /dated	20209003DC	Acceptable Specify Fo. Range	108~125MHz
Work Instruction No.	20209003DC	Date	Sep. 03, 2002

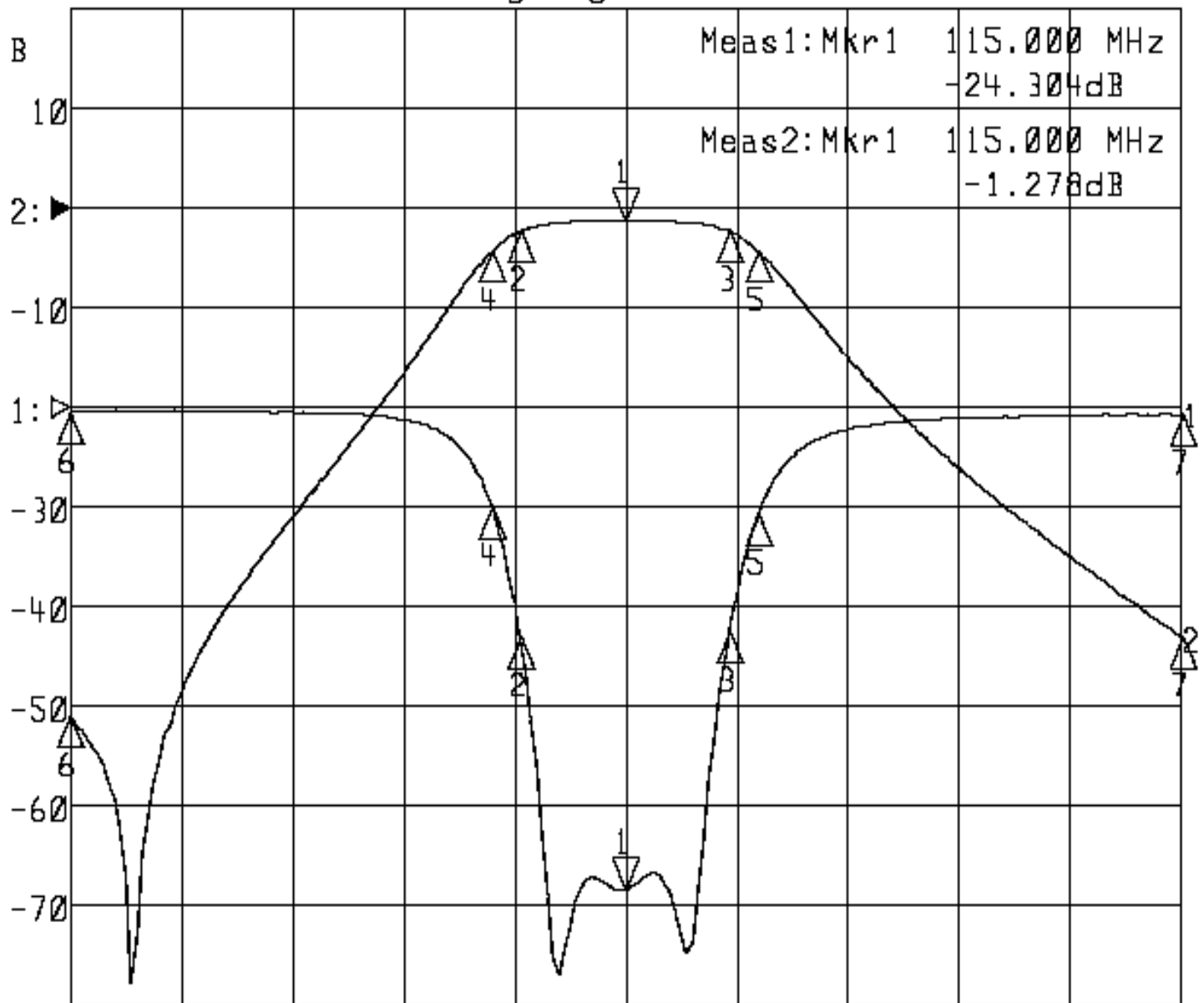
<p>(1) Pin Position</p>  <p style="text-align: center;">Bottom View</p>	<p>(2) Size Diagram</p> 
--	--

(3) Electric Character			
Item	Specify	Performance	
Center Freq.(Fo) +/- 0.5 %	115 MHz	115 MHz	
Tunable Range	115±2 MHz	115±2 MHz	
Insertion Loss	Typ 2.0 dB	1.2 dB	
-3 dB Bandwidth	Typ 18 MHz	19 MHz	
Sensitivity (Attenuation)	Fo - 50 MHz	Typ. 46 dBc	49 dBc
	Fo + 50 MHz	Typ. 39 dBc	42 dBc
	Fo - ()MHz	Typ. dBc	dBc
	Fo + ()MHz	Typ. dBc	dBc
Return Loss	Min. 12 dB	24 dB	
Ripple	< 1 dB	dB	
Impedance	In / Out : 75 Ω	In / Out : 75 Ω	
(4) Torque for Tuning Screw		> 100gf • cm	
(5) Temperature Condition:			
Operating Temperature		0°C ~ +60°C	
Storage Temperature		-20°C ~ +70°C	
(6) Input Power		> 1Watt	
Approval	Supervisor	Designer	Aperture size
C.Y. Chang	C.S. Chang	C.S. Chang	7H3S(4*7.5)F 7H00LB6
TEMWELL CORPORATION			

Performance-TTL67540B-115M

20209003DC

▶1:S11 Refl Port1 Log Mag 5.0 dB/ Ref 0.00 dB C
▶2:S21 Fwd Trans Log Mag 10.0 dB/ Ref 0.00 dB C



Center 115.000 MHz

Span 100.000 MHz

1:Mkr (MHz)	dB	2:Mkr (MHz)	dB
1> 115.0000	-24.304	1> 115.0000	-1.278
2: 105.5333	-11.554	2: 105.5333	-2.288
3: 124.3333	-11.258	3: 124.3333	-2.273
4: 103.0000	-5.053	4: 103.0000	-4.253
5: 126.9333	-5.357	5: 126.9333	-4.298
6: 65.0000	-0.209	6: 65.0000	-50.981
7: 165.0000	-0.371	7: 165.0000	-43.022