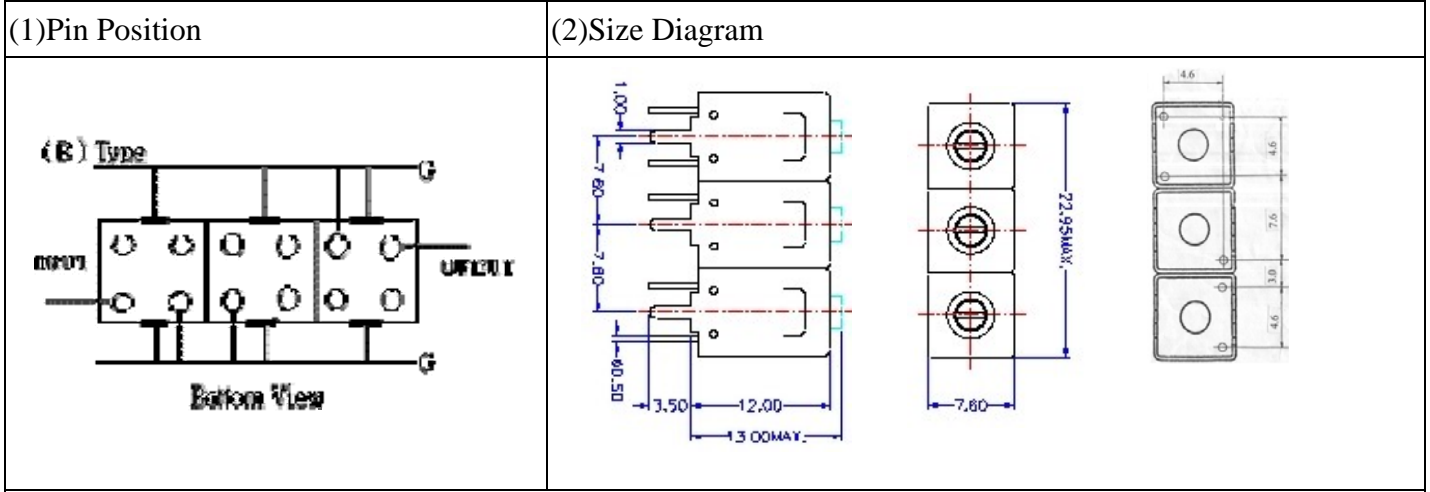


VHF UHF Helical Filter Specification Sheet

Customer Name		Temwell's Part No.	TTL6760B-202M
Approval No. /dated	20210041DB	Acceptable Specify Fo. Range	196~220MHz
Work Instruction No.	20210041DB	Date	Oct.17.2002



(3) Electric Character

Item	Specify	Performance	
Center Freq.(Fo) +/- 0.5 %	202 MHz	202 MHz	
Tunable Range	202±4 MHz	202±4 MHz	
Insertion Loss	Typ. 3.0 dB	2.0 dB	
-3 dB Bandwidth	Typ. 10 MHz	11 MHz	
Sensitivity (Attenuation)	Fo - 30 MHz	Typ. 40 dBc	46 dBc
	Fo + 30 MHz	Typ. 30 dBc	37 dBc
	Fo - ()MHz	Typ. dBc	dBc
	Fo + ()MHz	Typ. dBc	dBc
Return Loss	Min. 12 dB	18.4 dB	
Ripple	< 1 dB	dB	
Impedance	In / Out : 75 Ω	In / Out : 75 Ω	
(4) Torque for Tuning Screw	> 100gf · cm		

(5) Temperature Condition:

Operating Temperature	0°C ~ +60°C
Storage Temperature	-20°C ~ +70°C

(6) Input Power

	> 1Watt
--	---------

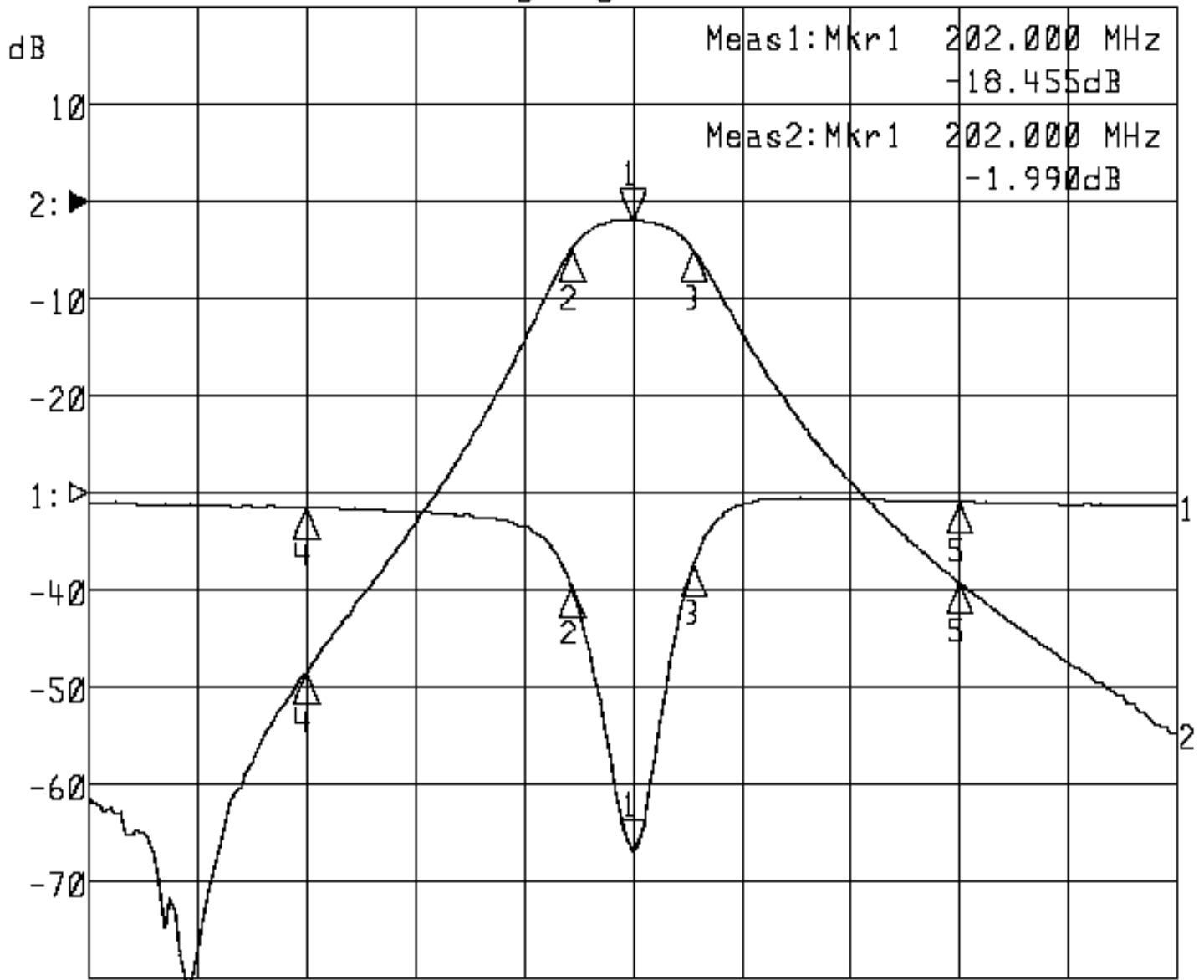
Approval	Supervisor	Designer	Aperture size
C.Y. Chang	C.S. Chang	C.S. Chang	7H3S(4*6.5)F 7H024LB4

TEMWELL CORPORATION

Performance-TTL6760B-202M

20210041DB

▷1:S11 Refl Port1 Log Mag 5.0 dB/ Ref 0.00 dB C
▶2:S21 Fwd Trans Log Mag 10.0 dB/ Ref 0.00 dB C



Center 202.000 MHz

Span 100.000 MHz

1:Mkr (MHz)	dB	2:Mkr (MHz)	dB
1> 202.0000	-18.455	1> 202.0000	-1.990
2: 196.3333	-4.746	2: 196.3333	-4.998
3: 207.5667	-3.721	3: 207.5667	-4.994
4: 172.0000	-0.764	4: 172.0000	-48.516
5: 232.0000	-0.490	5: 232.0000	-39.290