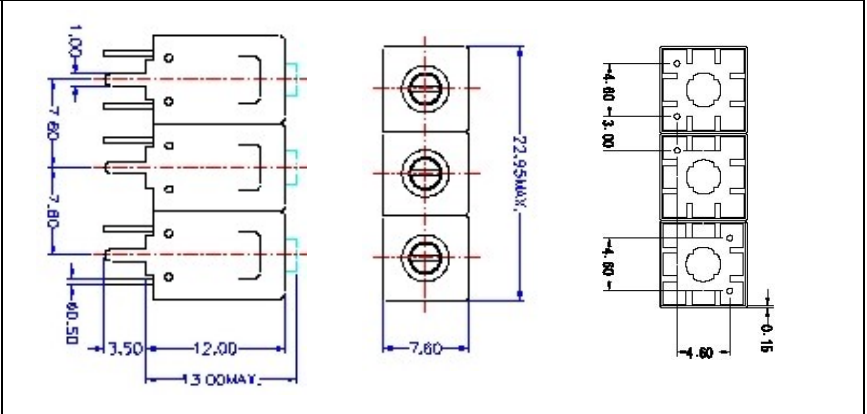
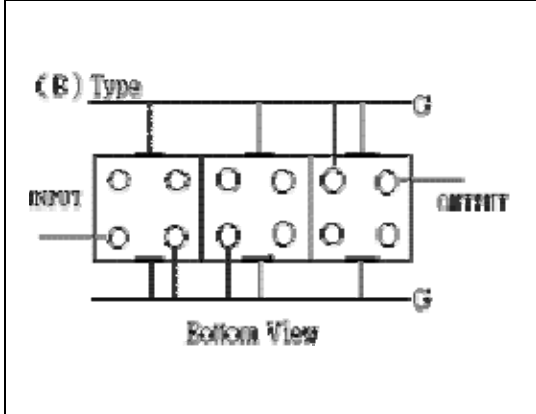


VHF UHF Helical Filter Specification Sheet

Customer Name		Temwell's Part No.	TTL67869B-350M
Approval No. /dated	0807021CD	Customer's Print Name.	311~355M
Work Instruction No.	0807021CD	Date	Jul.21.2008

(1) Pin Position

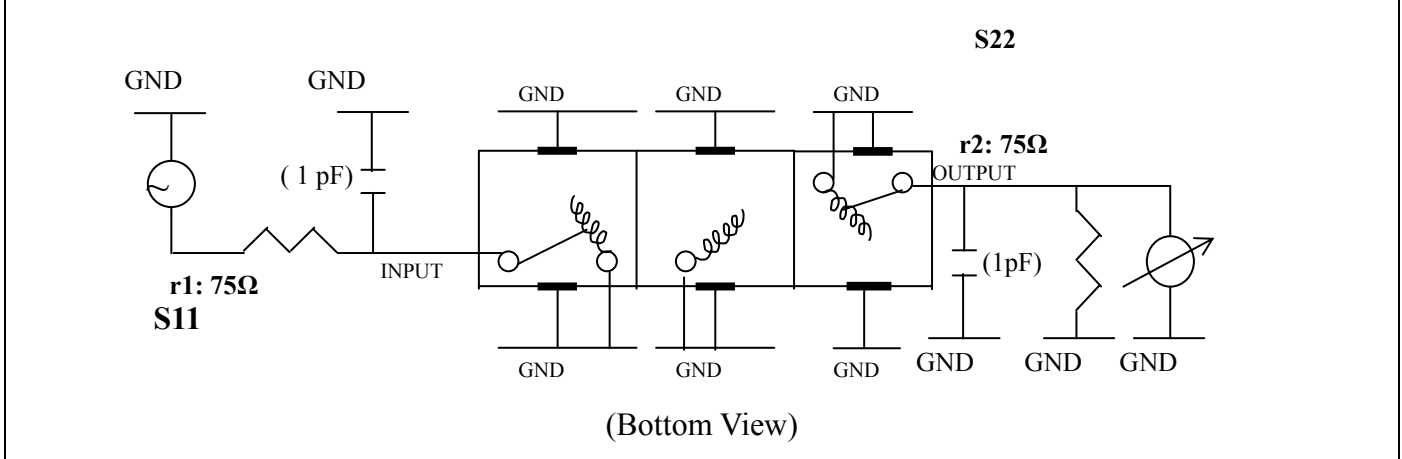
(2) Size Diagram



(3) Electric Characteristic

Item	Specify	Performance	
Center Freq.(Fo) +/- 0.5 %	350 MHz	350 MHz	
Tunable Range:	350±3 MHz	350±3 MHz	
Insertion Loss	Typ. 2.0 dB	0.63 dB	
-3 dB Bandwidth	Typ. 90 MHz	100.8 MHz	
Sensitivity (Attenuation)	Fo - (200) MHz	Typ. 46 dBc	49 dBc
	Fo + (200) MHz	Typ. 23 dBc	26 dBc
	Fo - () MHz	Typ. dBc	dBc
	Fo + () MHz	Typ. dBc	dBc
Return Loss	Min. 12 dB	17.2 dB	
Ripple	< 1 dB	dB	
Impedance	In / Out : 75 Ω	In / Out : 75 Ω	
(4) Torque for Tuning Screw	> 100gf • cm		
(5) Temperature Condition:			
Operating Temperature	0°C ~ +60°C		
Storage Temperature	-20°C ~ +70°C		
(6) Input Power	> 1Watt		

(7) Measuring Circuit: ※Easy to match Impedance S11/S22 75Ω by parallel with about(1pF) / (1pF).



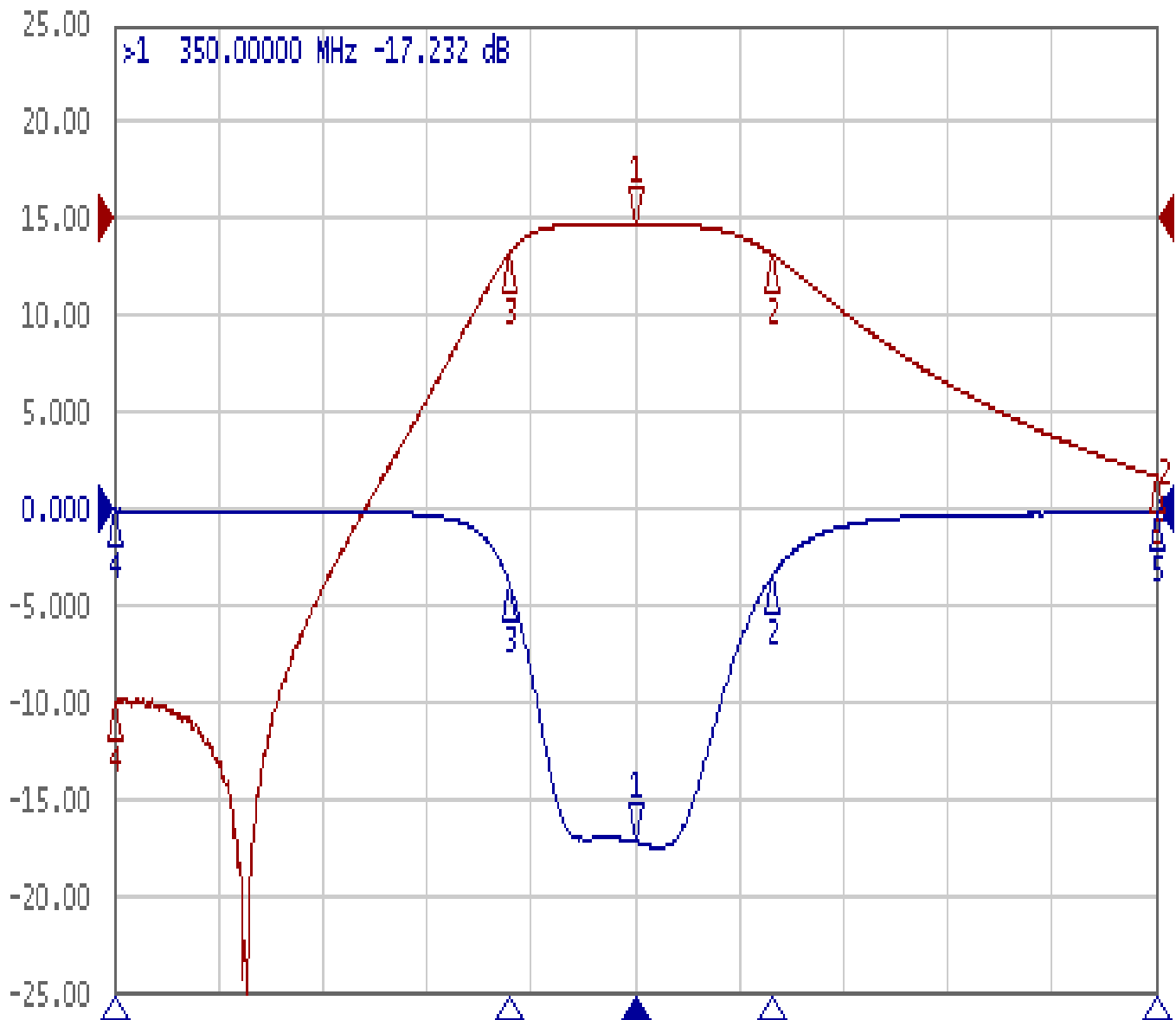
Approval	Supervisor	Designer	Aperture size
C.Y.Chang	C.S.Chang	C.S.Chang	7H3(4*8.0F) (7H046RB6.5)

TEMWELL CORPORATION

Performance-TTL67869B-350M

0807021CD

▶ Tr1 S11 Log Mag 5.000dB/ Ref 0.000dB [F2]
Tr2 S21 Log Mag 10.00dB/ Ref 0.000dB [F2]



1 Center 350 MHz

IFBW 10 kHz

Span 400 MHz

Ch1	Tr1	S11	>1	350.00000	MHz	-17.232	dB
Ch1	Tr1	S11	2	402.31500	MHz	-3.5303	dB
Ch1	Tr1	S11	3	301.59800	MHz	-3.8710	dB
Ch1	Tr1	S11	4	150.00000	MHz	-0.0939	dB
Ch1	Tr1	S11	5	550.00000	MHz	-0.2780	dB
Ch1	Tr2	S21	1	350.00000	MHz	-0.6378	dB
Ch1	Tr2	S21	2	402.31500	MHz	-3.6821	dB
Ch1	Tr2	S21	3	301.59800	MHz	-3.6562	dB
Ch1	Tr2	S21	4	150.00000	MHz	-50.070	dB
Ch1	Tr2	S21	5	550.00000	MHz	-26.702	dB