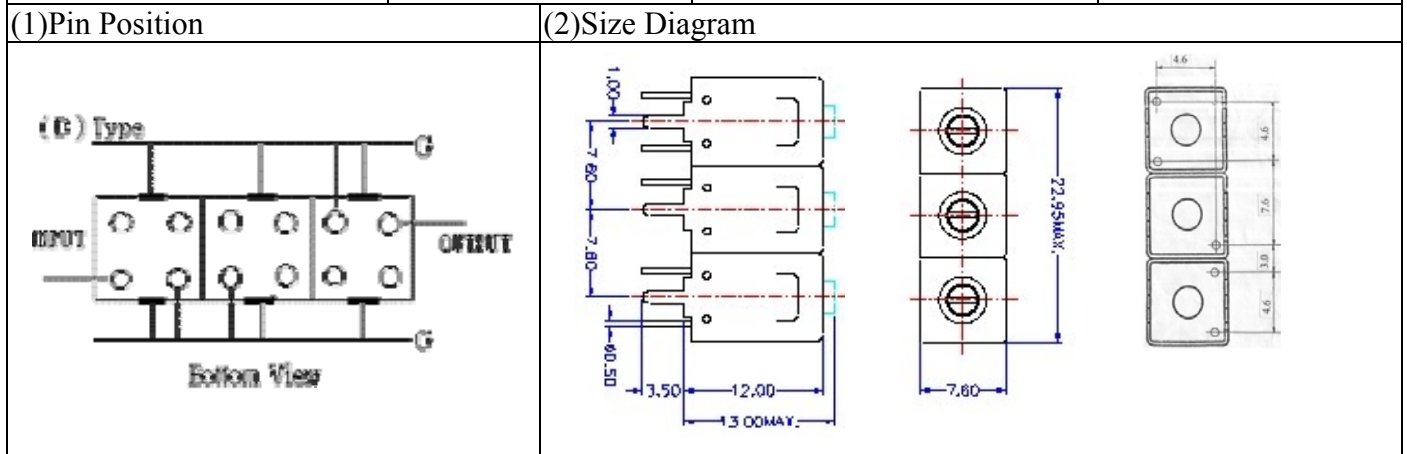


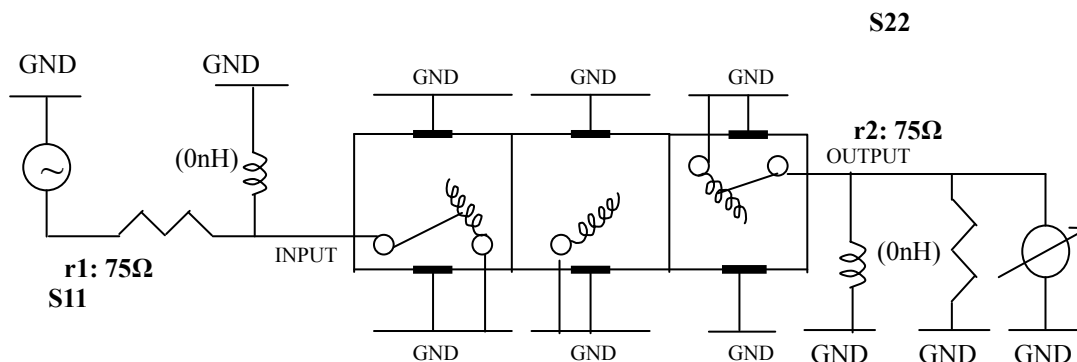
VHF UHF Helical Filter Specification Sheet

Customer Name		Temwell's Part No.	TTL6786B1-177.5M
Approval No. /dated	20502041APR	Temwell's print name.	
Work Instruction No.	20502041DB	Date	Feb.23.2005



(3) Electric Chararistic			
Item		Specify	Performance
Center Freq.(Fo) +/- 0.5 %		177.5 MHz	177.5 MHz
Tunable Range: <input type="checkbox"/> Fo±3MHz <input checked="" type="checkbox"/> Fo±5MHz <input type="checkbox"/> Fo±15MHz		177.5±2 MHz	177.5±2 MHz
Insertion Loss		Typ. 3.0 dB	2.24 dB
-3 dB Bandwidth		Typ. 8 MHz	9 MHz
Sensitivity (Attenuation)	Fo - 20 MHz	Typ. 42 dBc	45 dBc
	Fo + 20 MHz	Typ. 33 dBc	36 dBc
	Fo - ()MHz	Typ. dBc	dBc
	Fo +()MHz	Typ. dBc	dBc
Return Loss		Min. 12 dB	48.0 dB
Ripple		< 1 dB	dB
Impedance		In / Out : 75 Ω	In / Out : 75 Ω
(4) Torque for Tuning Screw		> 100gf · cm	
(5) Temperature Condition:			
Operating Temperature		0°C ~ +60°C	
Storage Temperature		-20°C ~ +70°C	
(6) Input Power		> 1Watt	

(7) Measuring Circuit: ※Easy to match Impedance S11/S22//75Ω by parallel with about (0~1 nH) / (0~1 nH).



(Bottom View)

Approval	Supervisor	Designer	Aperture size
C.S.Chang	C.S.Chang	C.S.Chang	7H3S(4*7.5)F 7H024LB4

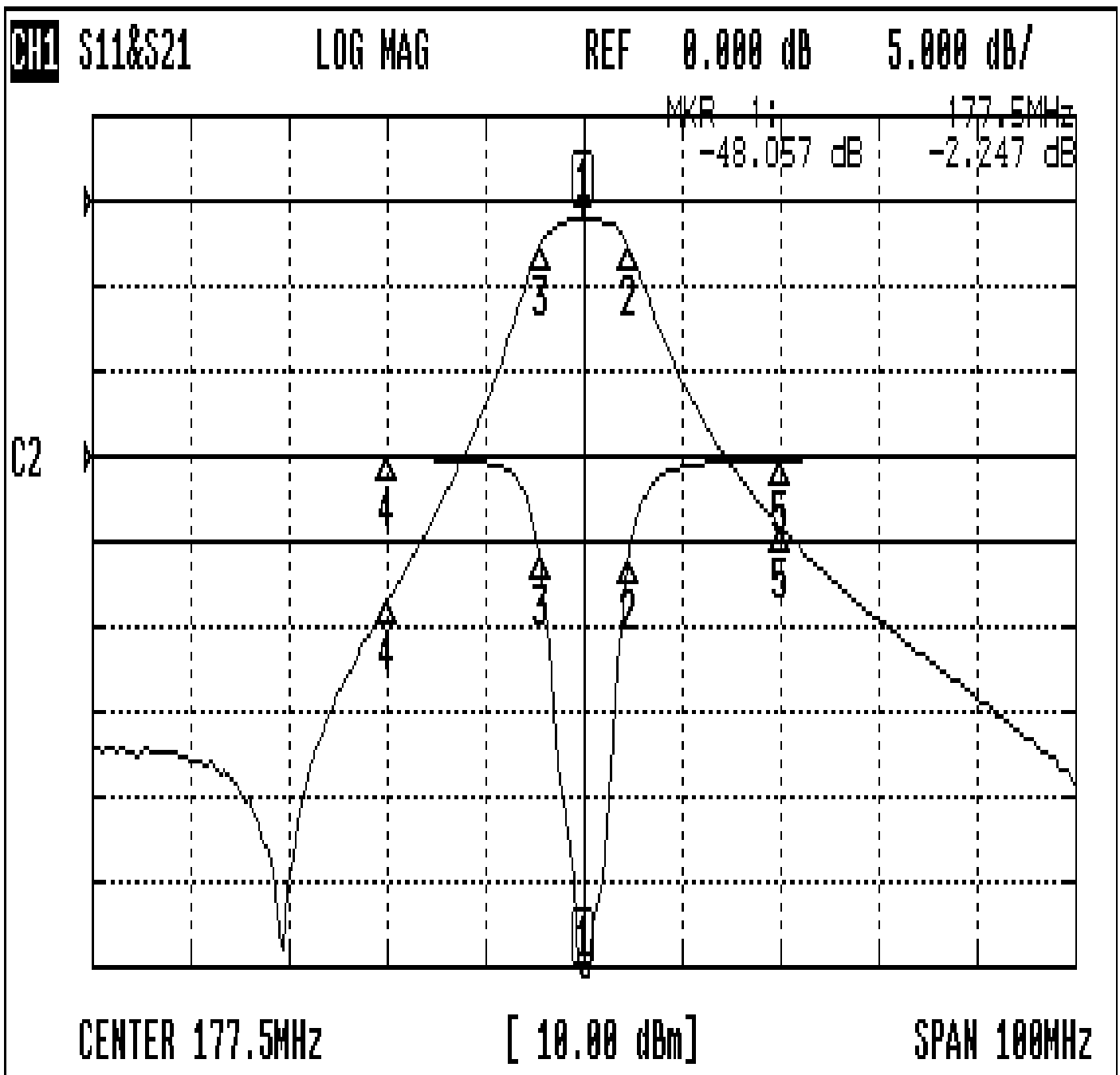
TEMWELL CORPORATION

TEMWELL

Form10-7H3B Vision D

Performance-TTL6786B1-177.5M

20502041DB



CH1 MARKER LIST

1:	177.500MHz	-48.057 dB	-2.247 dB
2:	182.083MHz	-6.104 dB	-5.273 dB
3:	173.083MHz	-6.037 dB	-5.264 dB
4:	157.500MHz	-0.079 dB	-47.070 dB
5:	197.500MHz	-0.158 dB	-38.271 dB