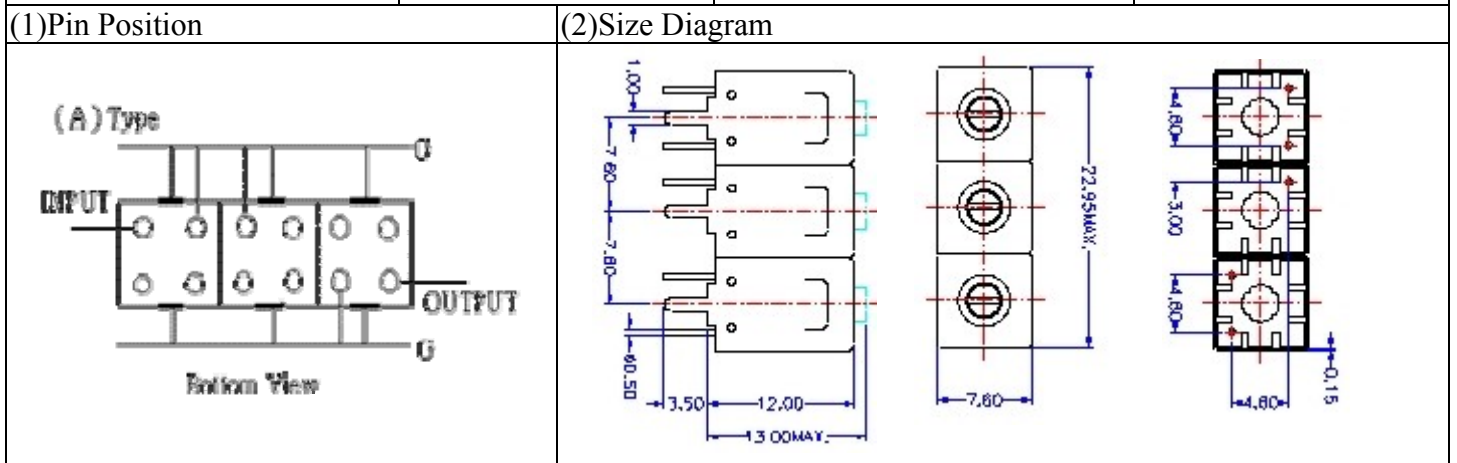


# VHF UHF Helical Filter Specification Sheet

Customer Name		Temwell's Part No.	TTL6829B1-225.5M
Approval No. /dated	20502042DB	Customer's Part No.	221~245M
Work Instruction No.	20502042DB	Date	Feb.23.2005



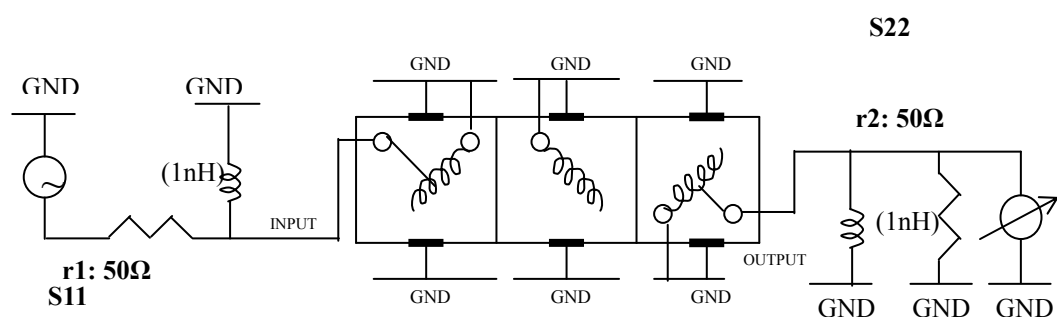
(3)Electric Characteristic			
Item		Specify	Performance
Center Freq.(Fo) +/- 0.5 %		225.5 MHz	225.5 MHz
Tunable Range: <input type="checkbox"/> Fo±5MHz <input type="checkbox"/> Fo±10MHz <input type="checkbox"/> Fo±15MHz		225.5±4 MHz	225.5±4 MHz
Insertion Loss		Typ.. 3.5 dB	2.5 dB
-3 dB Bandwidth		Typ. 7 MHz	8 MHz
Sensitivity (Attenuation)	Fo - 20 MHz	Typ. 38 dBc	41 dBc
	Fo + 20 MHz	Typ. 29 dBc	32 dBc
	Fo - ( )MHz	Typ. dBc	dBc
	Fo +( )MHz	Typ. dBc	dBc
Return Loss		Min. 12 dB	28.3 dB
Ripple		< 1 dB	dB
Impedance		In / Out : 75 Ω	In / Out : 75 Ω

(4)Torque for Tuning Screw > 100gf • cm

(5)Temperature Condition:  
 Operating Temperature 0°C ~ +60°C  
 Storage Temperature 20°C ~ +70°C

(6)Input Power > 1Watt

(7)Measuring Circuit: ※Easy to match Impedance S11/S22 75Ω by parallel with about(1 nH) / (1 nH).



(Bottom View)

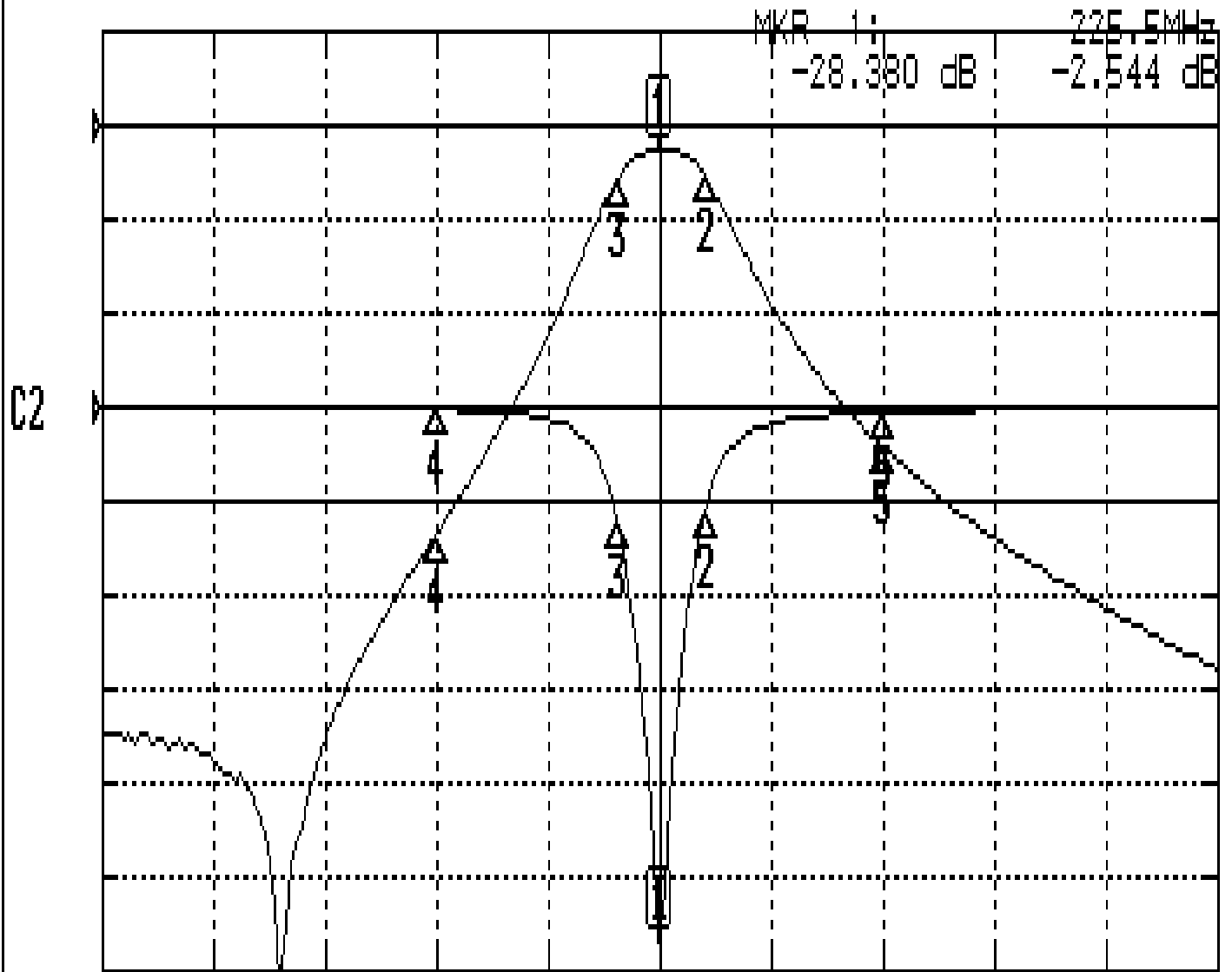
Approval C.S.Chang	Supervisor C.S.Chang	Designer C.S.Chang	Aperture size 7H2S(4*6.5) 7H02RB4
-----------------------	-------------------------	-----------------------	---

TEMWELL CORPORATION

# Performance-TTL6829B1-225.5M

## 20502042DB

CH1 S11&S21 LOG MAG REF 0.000 dB 5.000 dB/



CENTER 225.5MHz

[ 10.00 dBm ]

SPAN 100MHz

### CH1 MARKER LIST

1:	225.500MHz	-28.380 dB	-2.544 dB
2:	229.666MHz	-5.334 dB	-5.545 dB
3:	221.750MHz	-6.856 dB	-5.582 dB
4:	205.500MHz	-8.107 dB	-43.498 dB
5:	245.500MHz	-8.242 dB	-34.195 dB